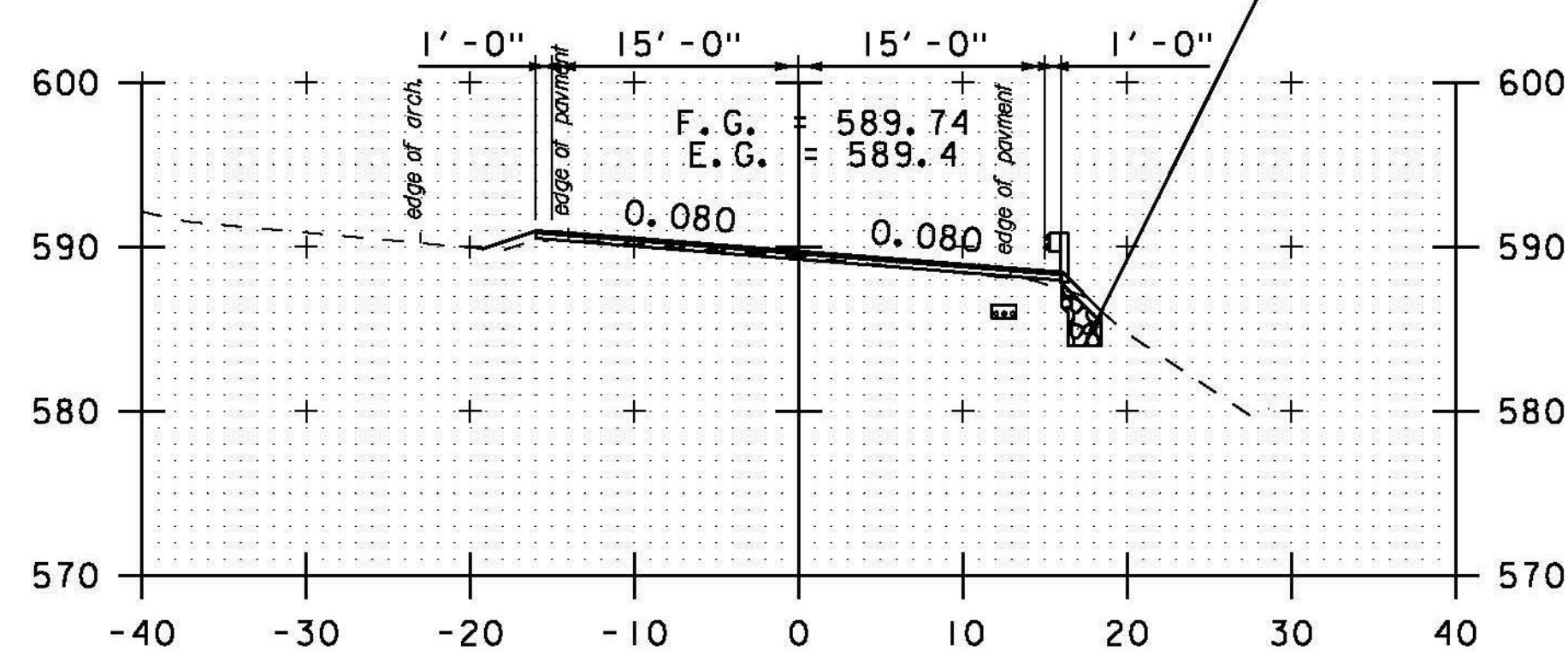
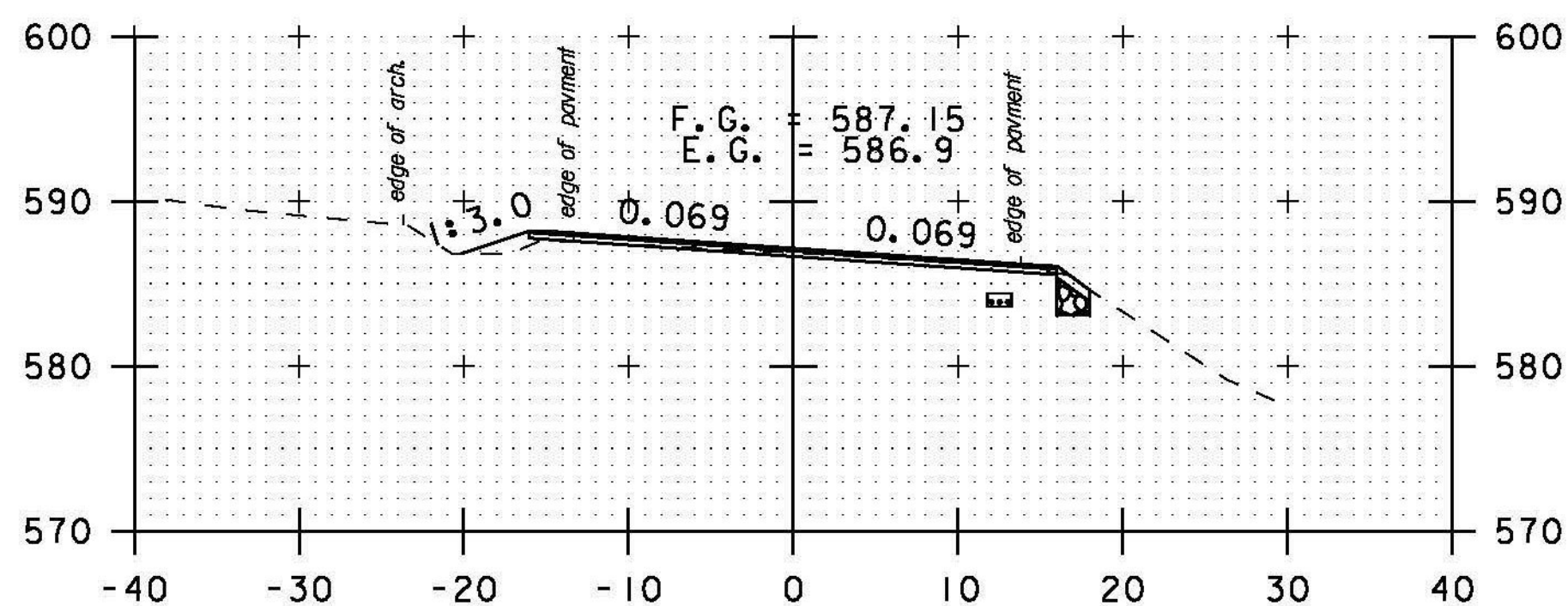


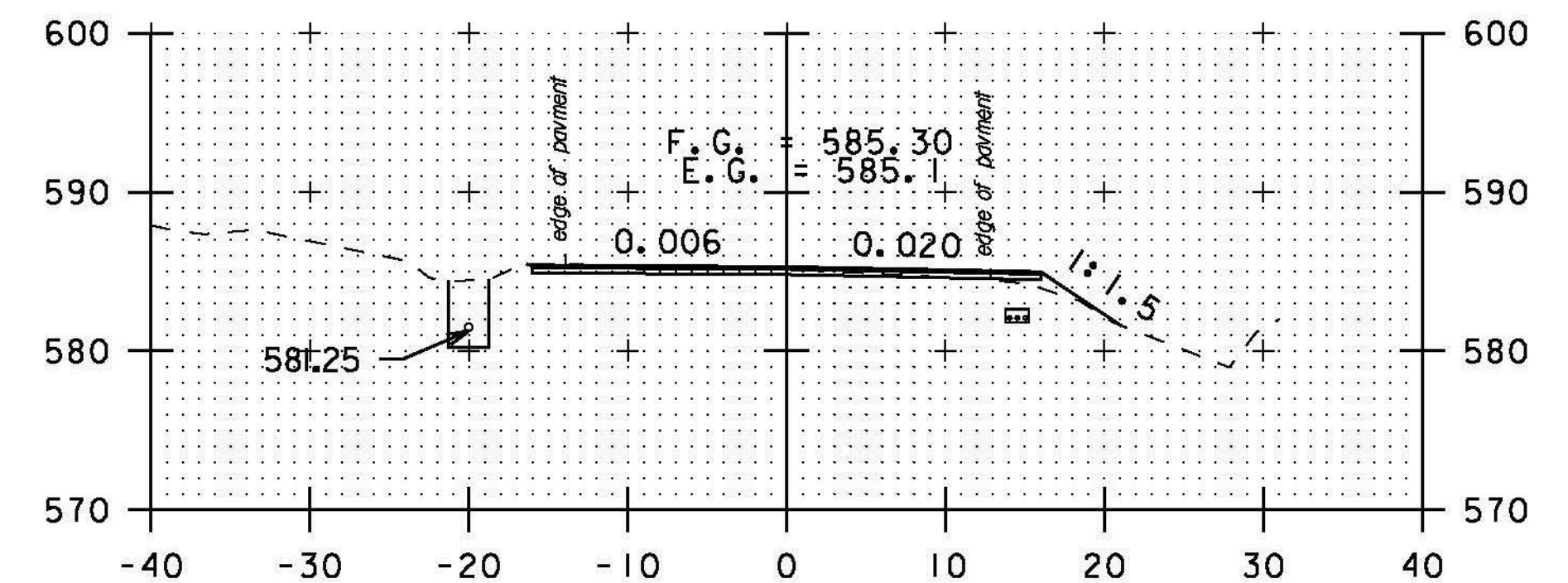
12" STONE FILL, TYPE I (TYP.)
 6" GRUBBING MATERIAL (TYP.)
 GEOTEXTILE UNDER STONE FILL (TYP.)



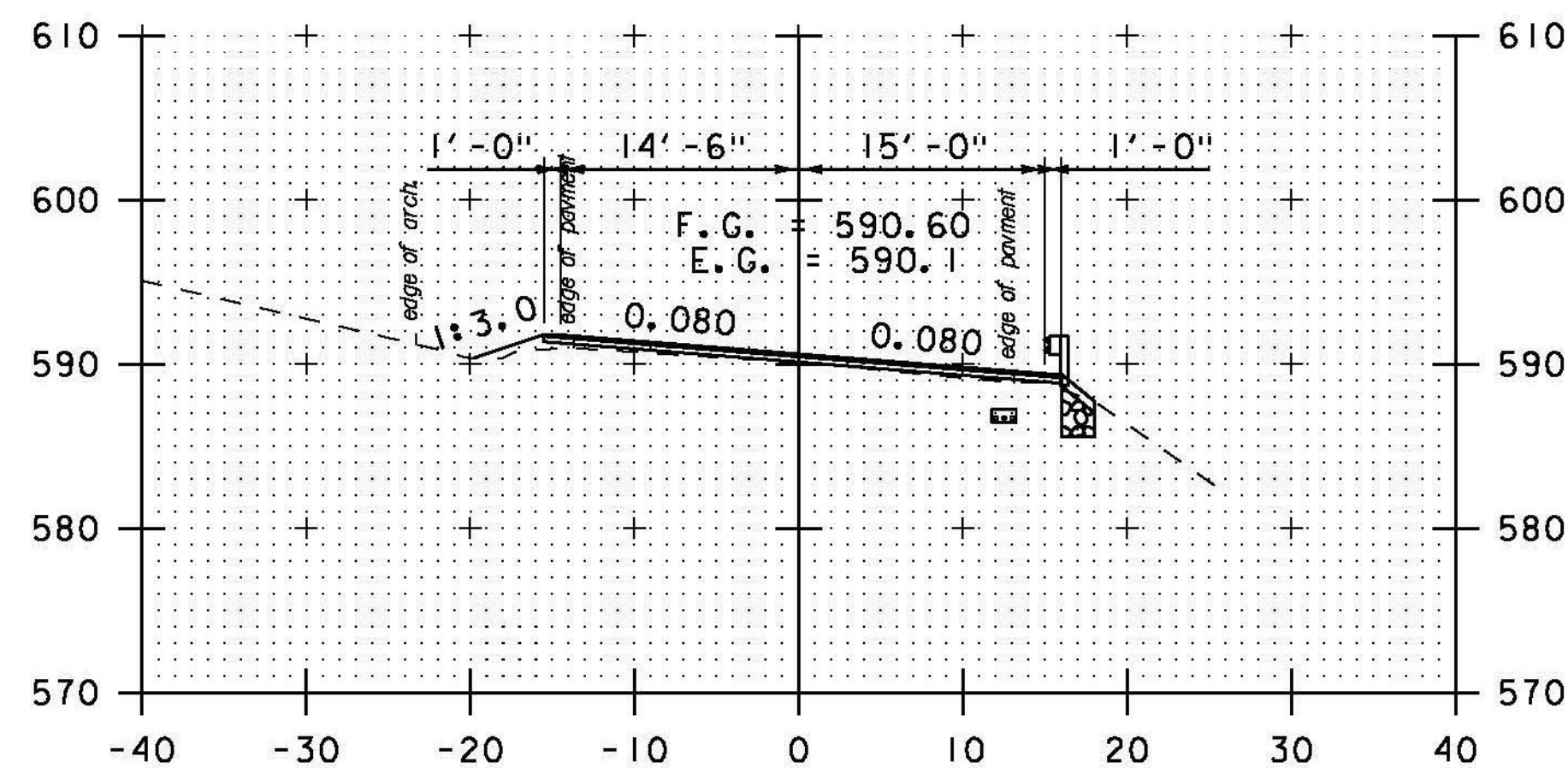
151+50



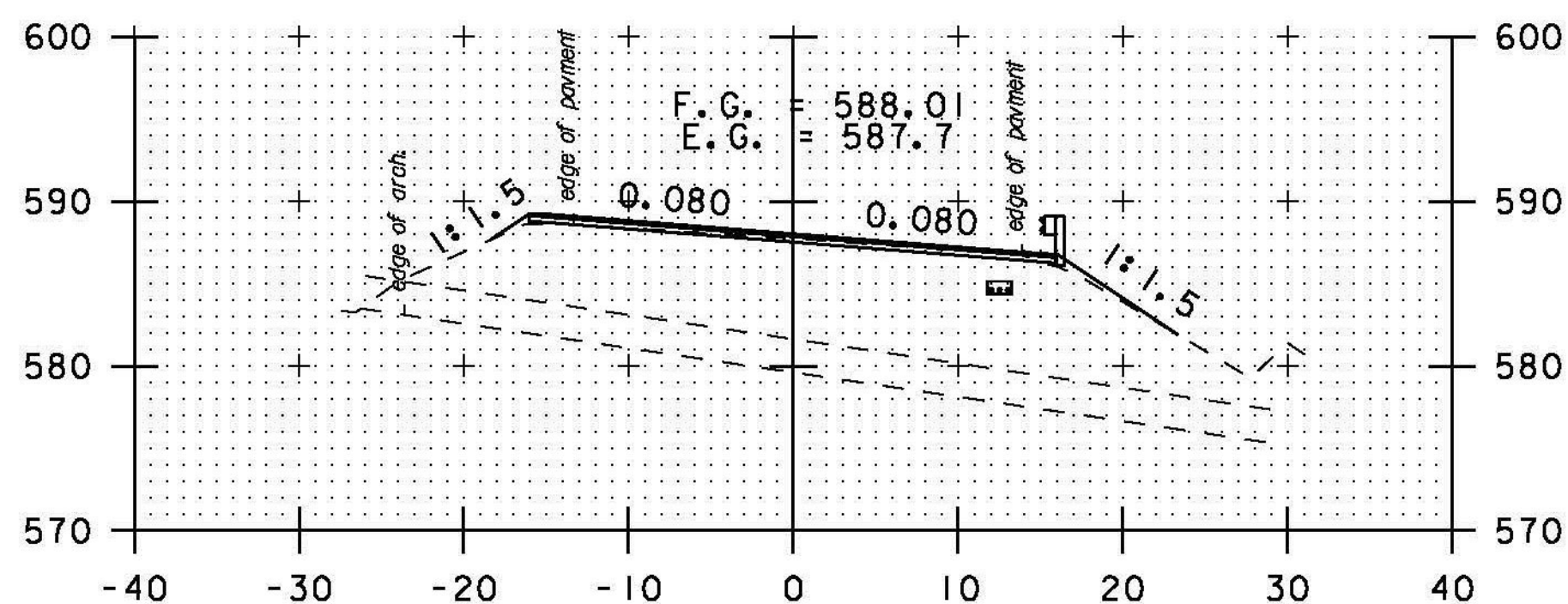
153+00



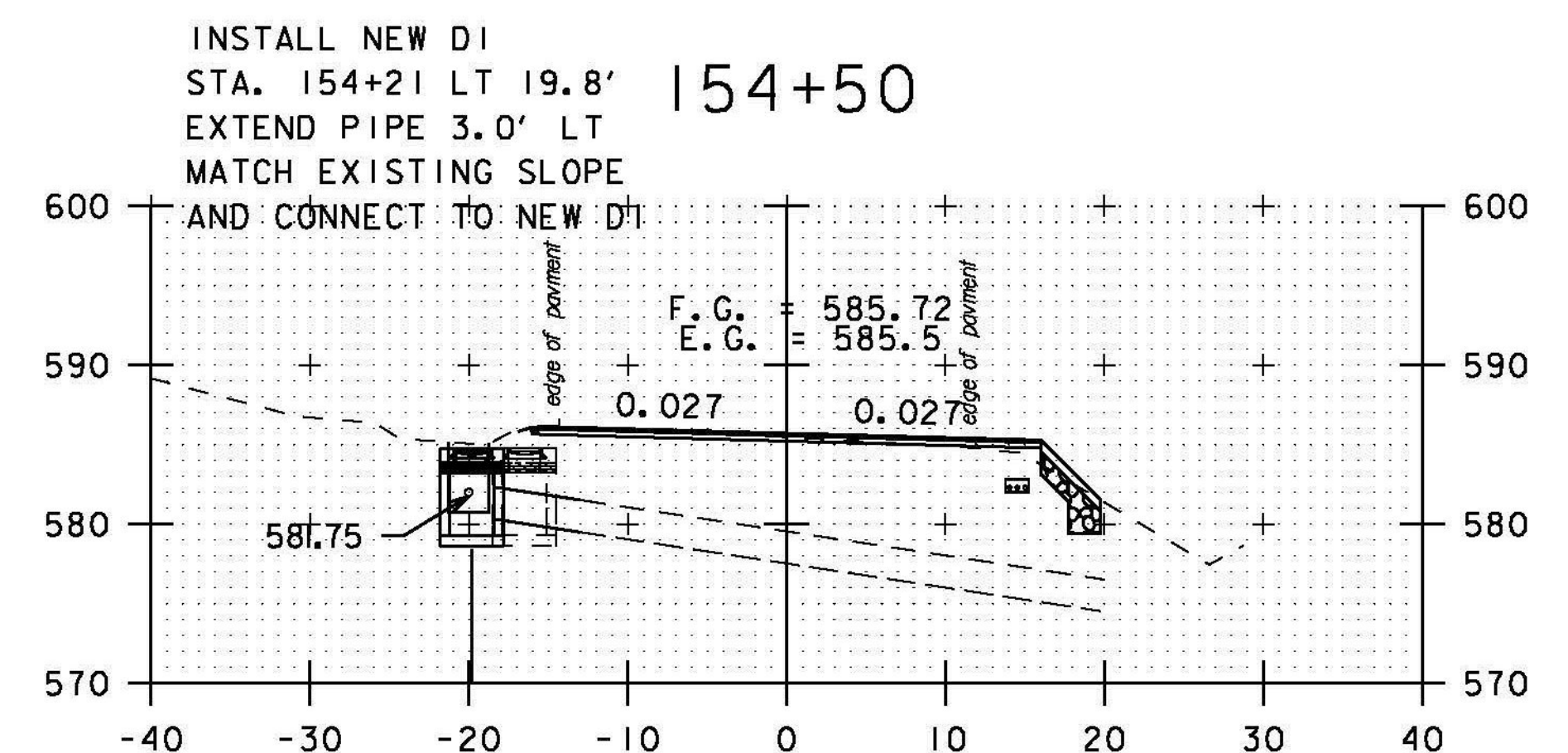
154+50



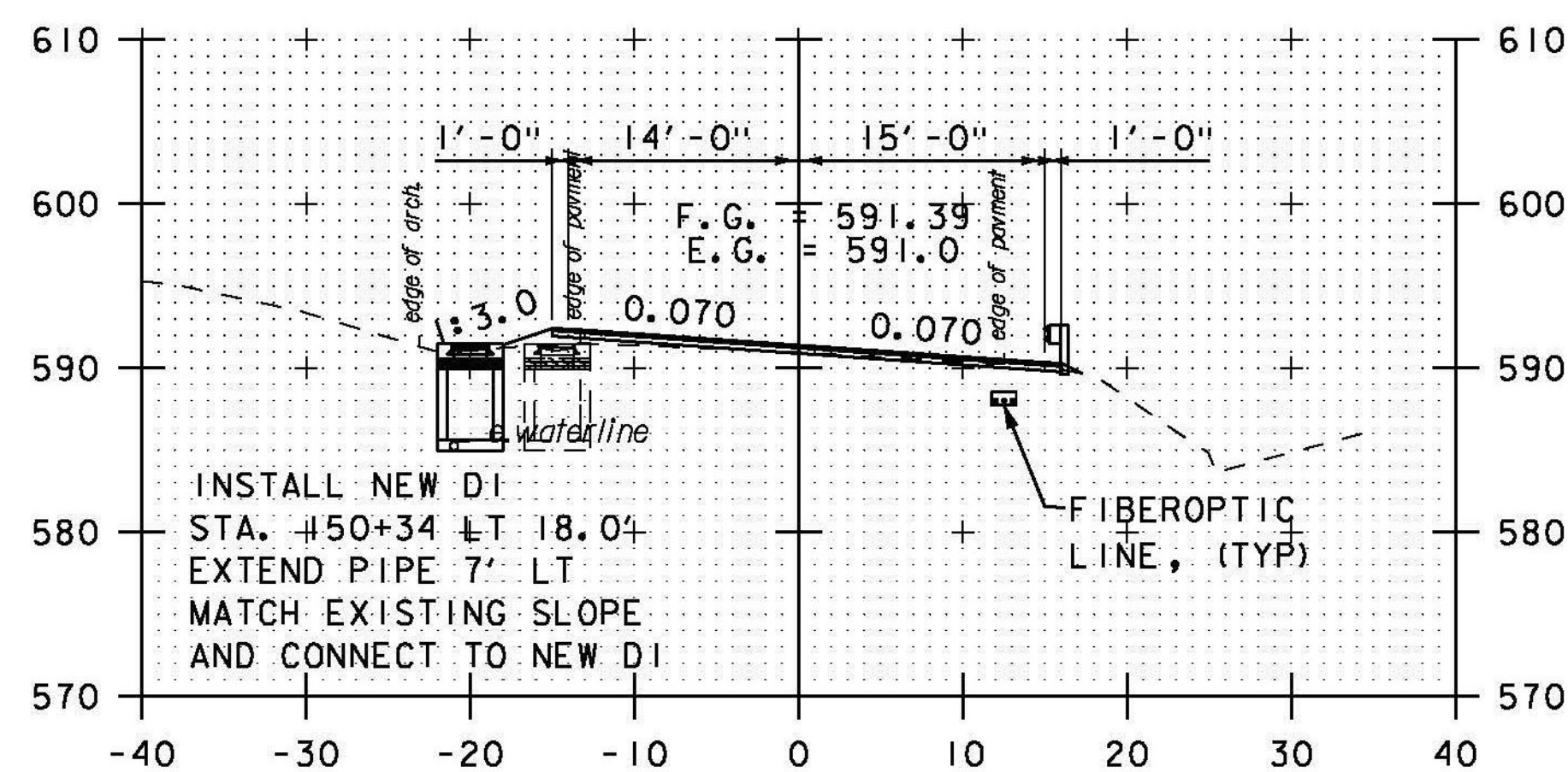
151+00



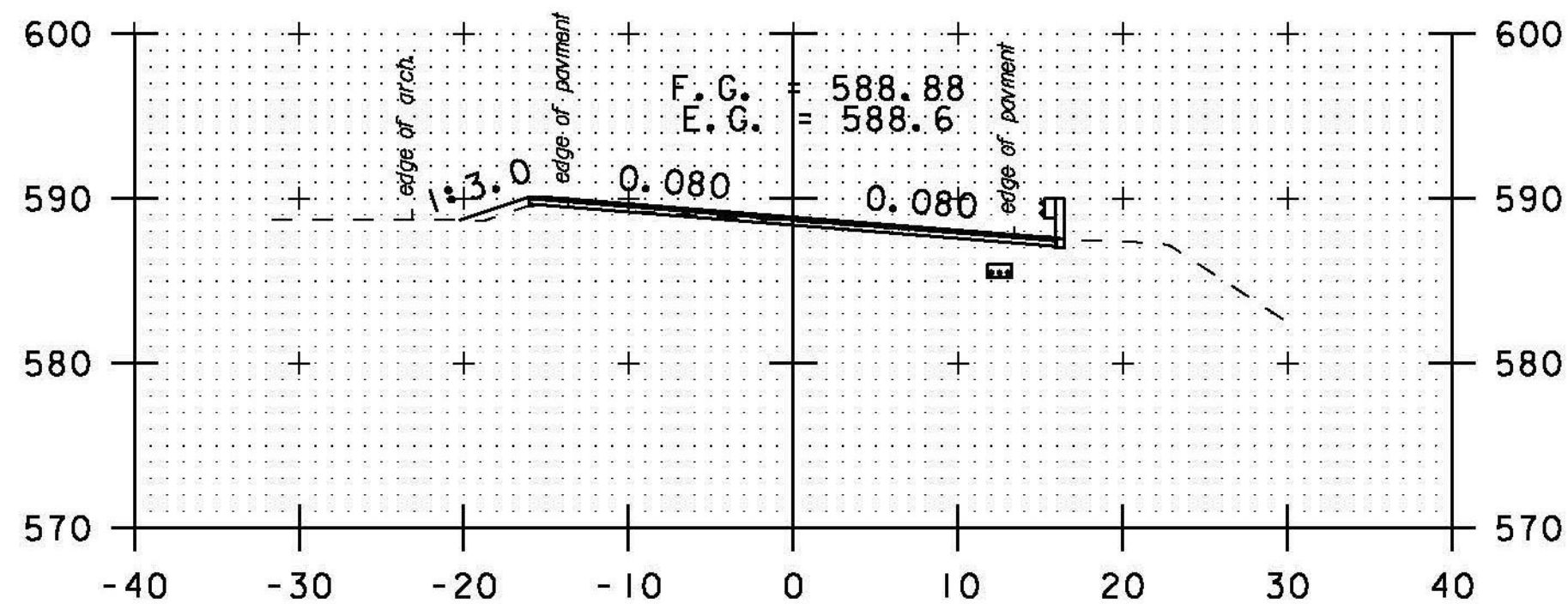
152+50



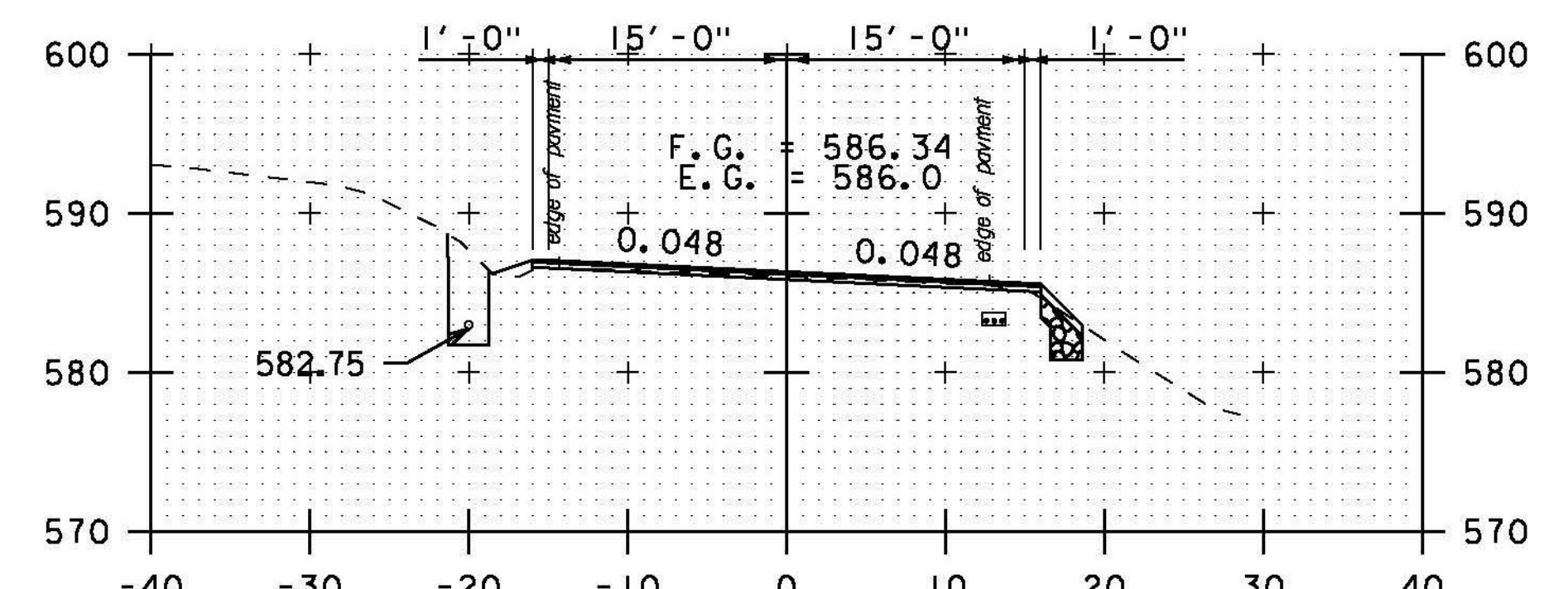
154+00



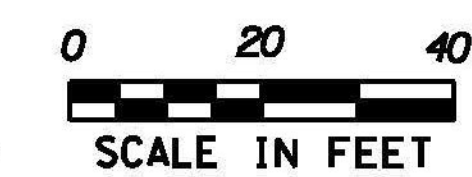
DRIVE LT
150+50



152+00



153+50



STA. 150+50 TO STA. 154+50

PROJECT NAME: BETHEL-RANDOLPH
 PROJECT NUMBER: STP 292(I)

FILE NAME: piOC244.dgn
 PROJECT LEADER: C. LATHROP
 DESIGNED BY: S. LAMPHERE
 CROSS SECTION SHEET 6

PLOT DATE: 4/23/2015
 DRAWN BY: S. LAMPHERE
 CHECKED BY: C. LATHROP
 SHEET 140 OF 211