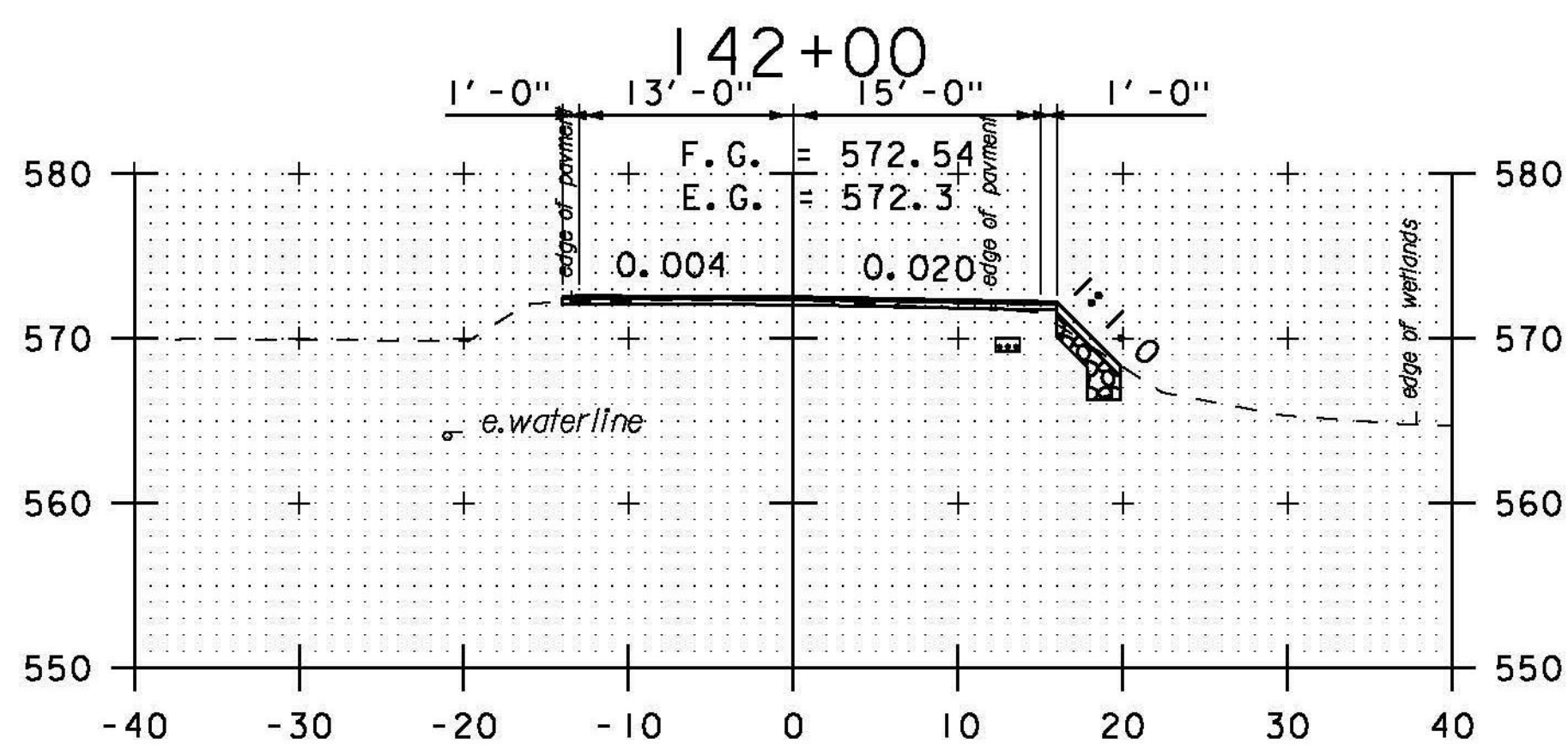
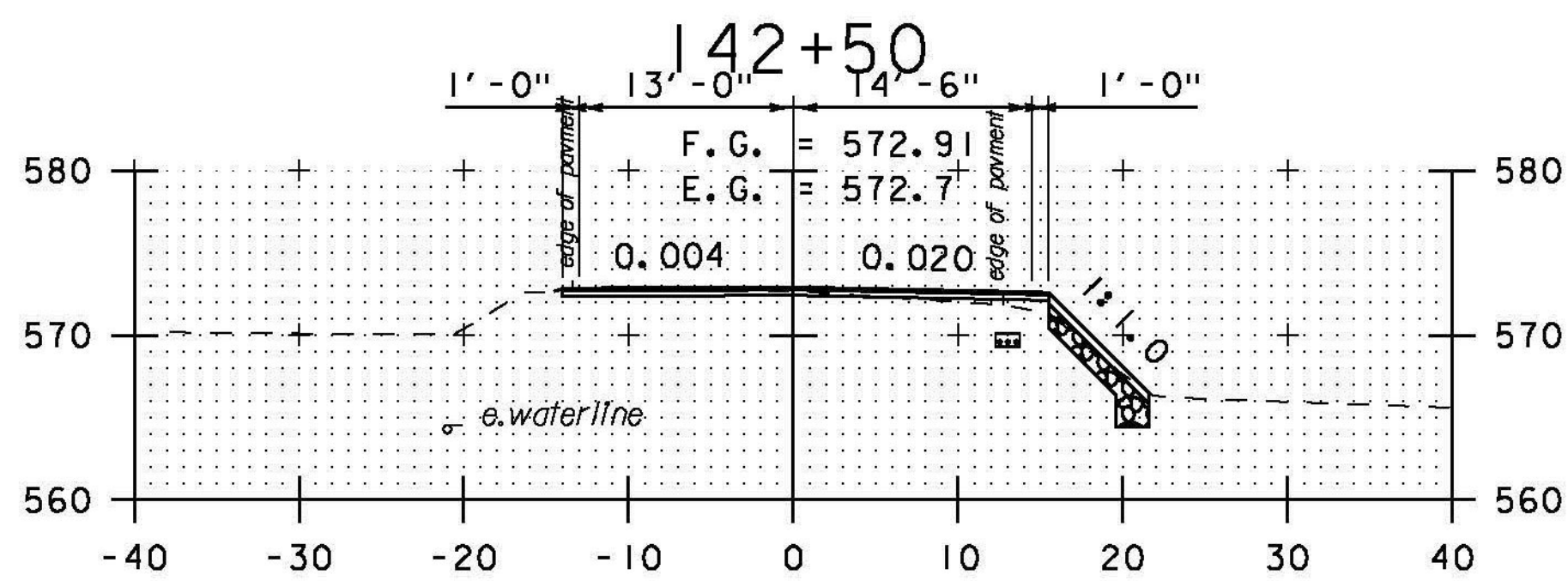
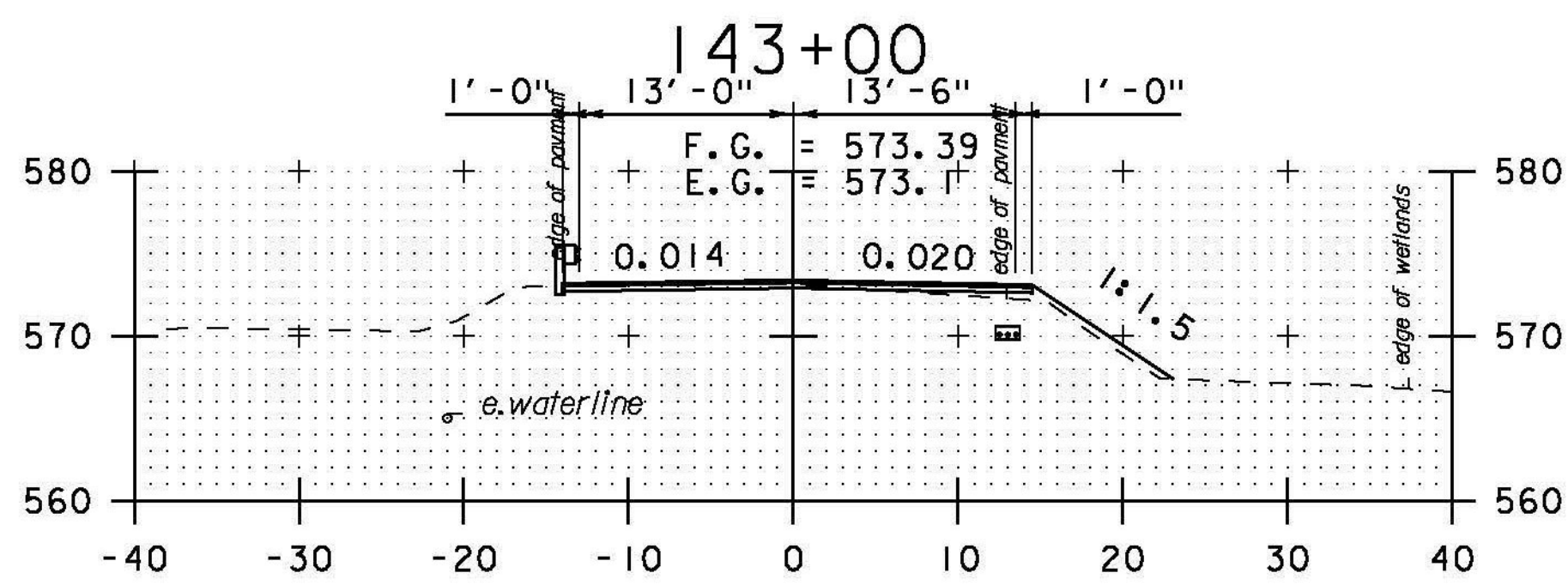
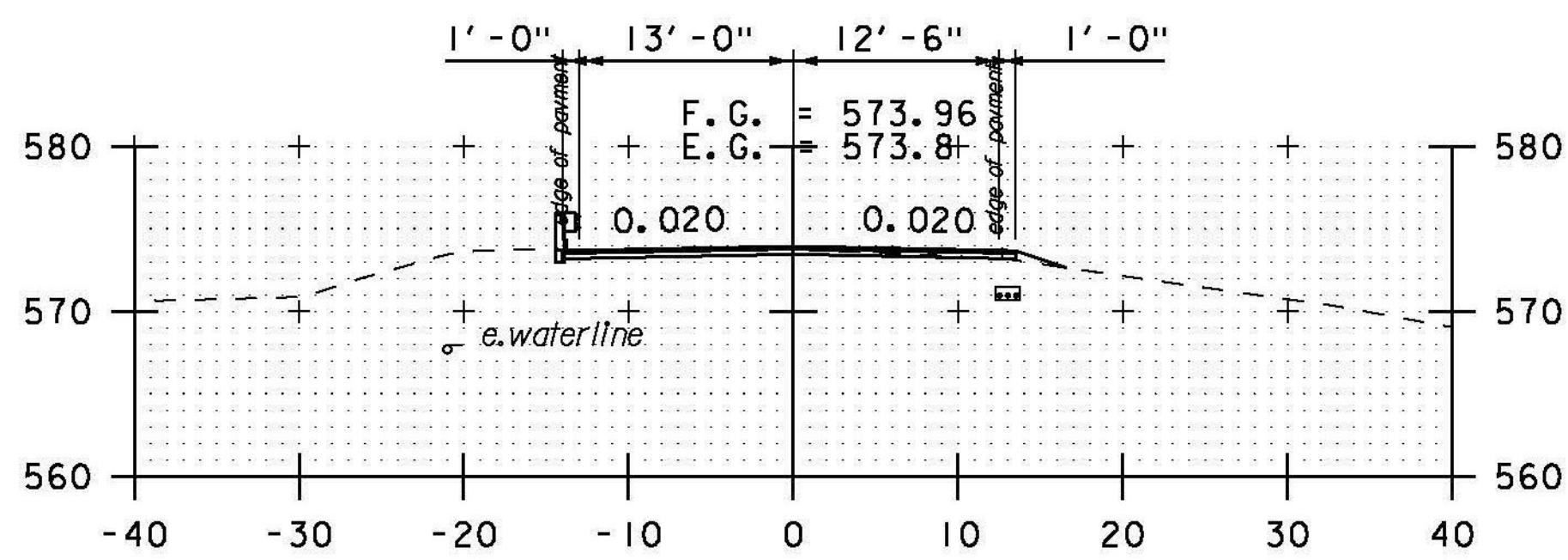
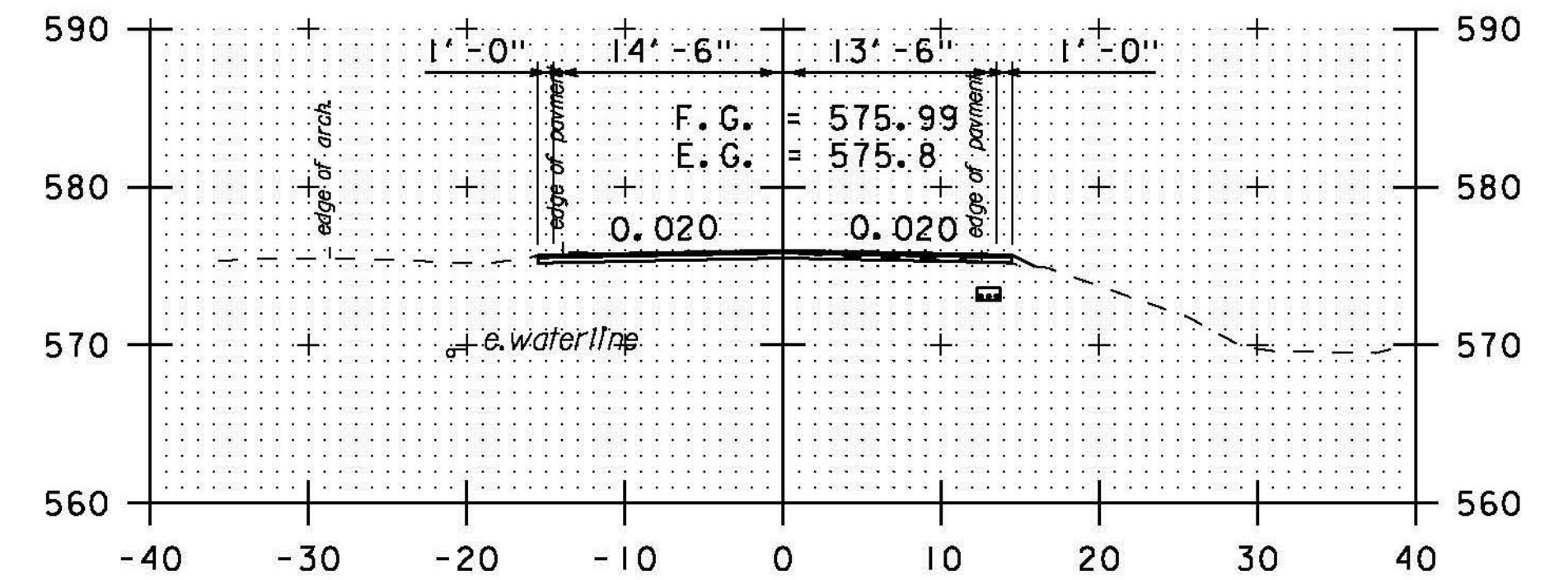


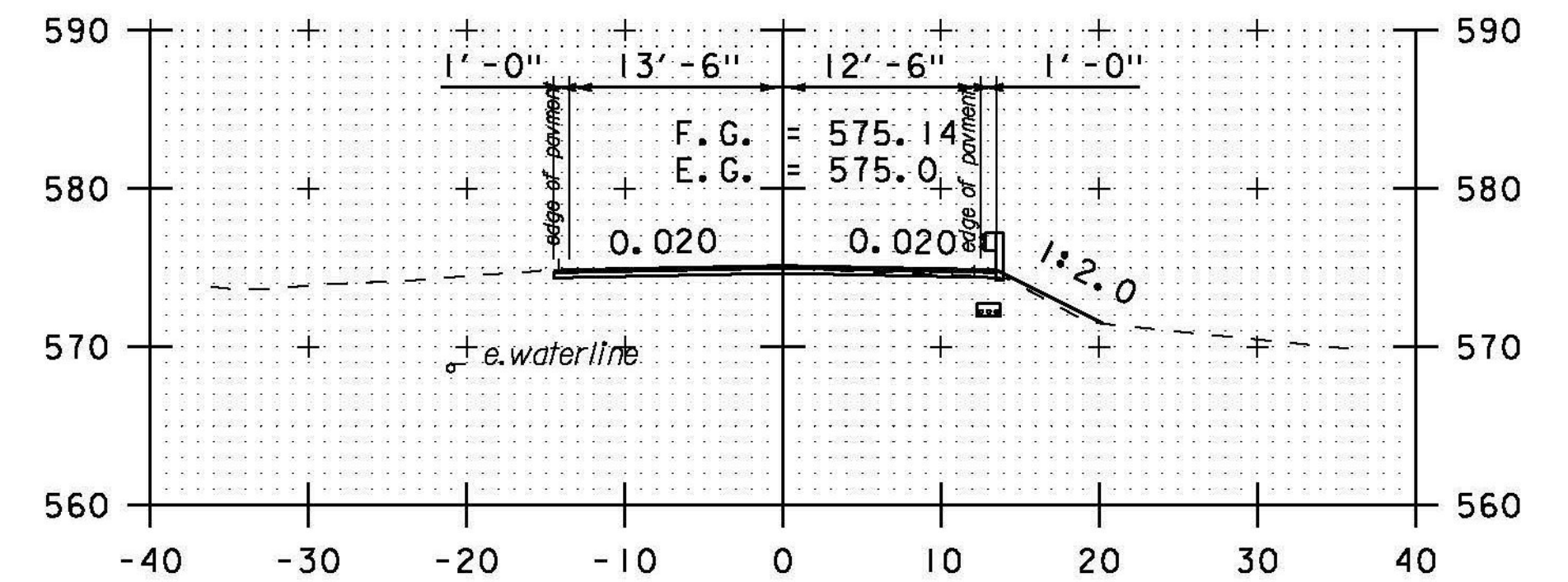
140+00



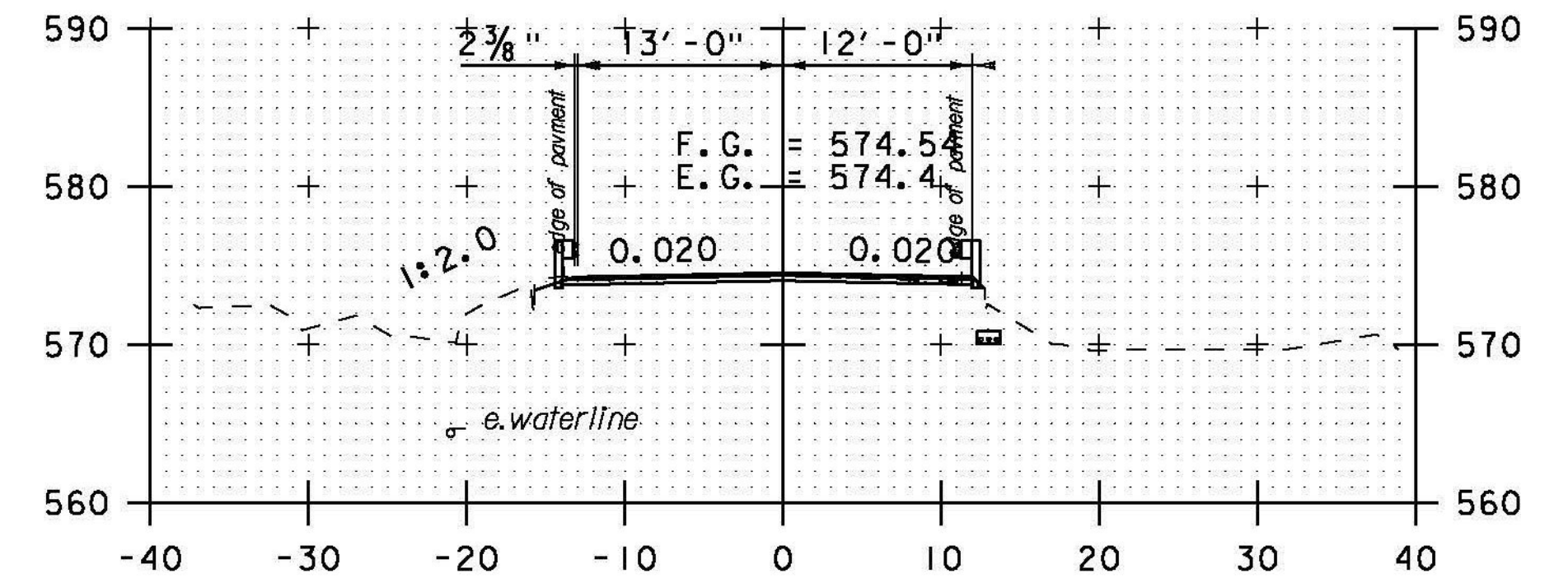
141+50



144+50



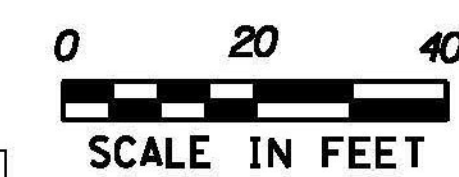
144+00



143+50

12" STONE FILL, TYPE I (TYP.)
6" GRUBBING MATERIAL (TYP.)
GEOTEXTILE UNDER STONE FILL (TYP.)

STA. 140+00 TO STA. 144+50



PROJECT NAME: BETHEL-RANDOLPH
PROJECT NUMBER: STP 292(I)

FILE NAME: piOC244.dgn
PROJECT LEADER: C. LATHROP
DESIGNED BY: S. LAMPHERE
CROSS SECTION SHEET 4

PLOT DATE: 4/23/2015
DRAWN BY: S. LAMPHERE
CHECKED BY: C. LATHROP
SHEET 138 OF 211