

DURABLE 4 INCH WHITE LINE, SEE OPTION ITEMS
 STA. 266+75 - STA. 272+50 (SOLID LT & RT)

TEMPORARY 4 INCH WHITE LINE, PAINT
 STA. 266+75 - STA. 272+50 (SOLID LT & RT)

DURABLE 4 INCH YELLOW LINE, POLYUREA
 STA. 266+75 - STA. 272+50 (CENTERLINE)

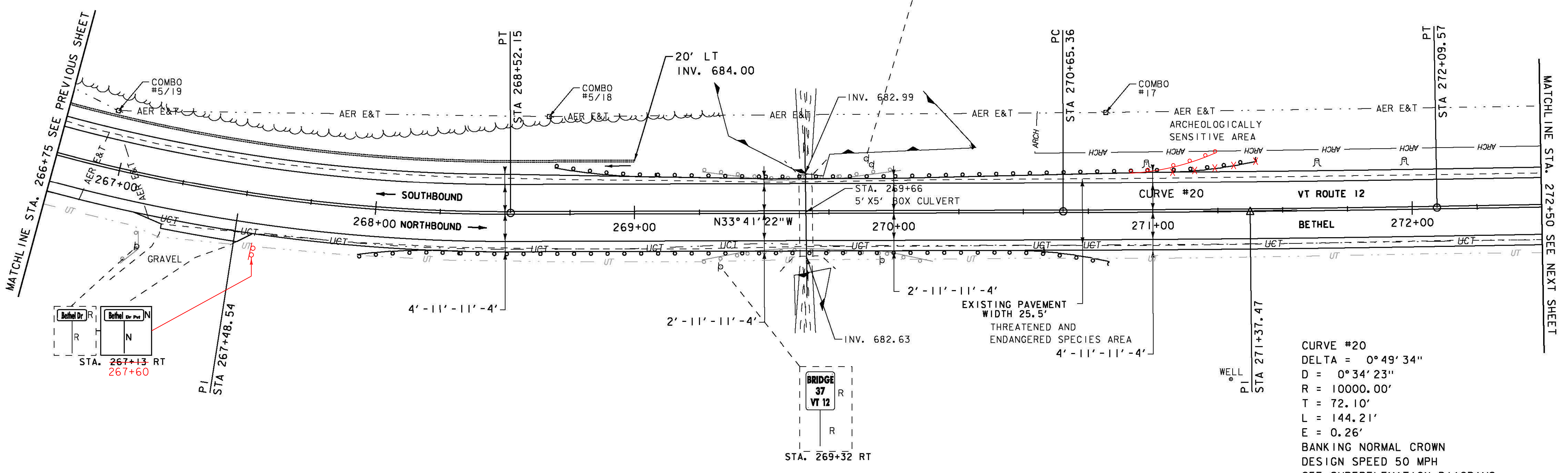
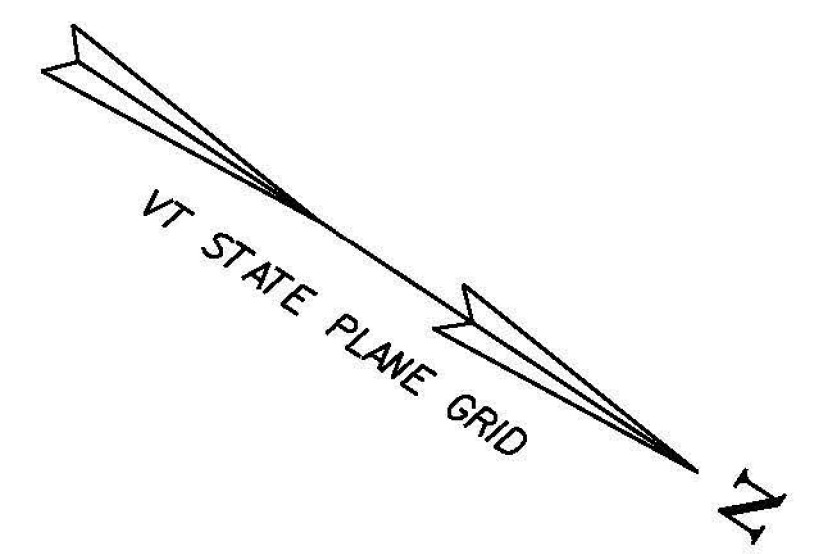
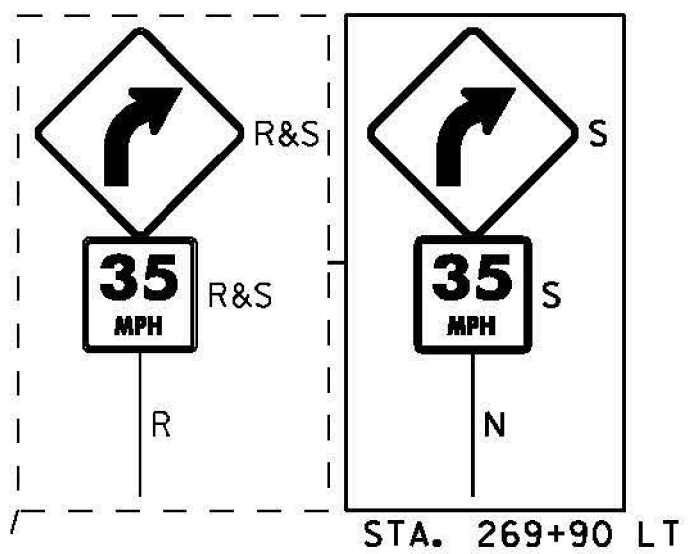
TEMPORARY 4 INCH YELLOW LINE, PAINT
 STA. 266+75 - STA. 272+50 (CENTERLINE)

MILLED RUMBLE STRIPS
 STA. 266+75 - STA. 272+50 (CENTERLINE)
 268+00

6 INCH UNDERDRAIN PIPE
 STA. 266+75 - STA. 269+00 LT

REMOVING SIGNS
 AS SHOWN - 4

ERECTING SALVAGED SIGNS
 AS SHOWN - 2



CURVE #20
 DELTA = 0° 49' 34"
 D = 0° 34' 23"
 R = 10000.00'
 T = 72.10'
 L = 144.21'
 E = 0.26'
 BANKING NORMAL CROWN
 DESIGN SPEED 50 MPH
 SEE SUPERELEVATION DIAGRAMS
 FOR MORE INFORMATION

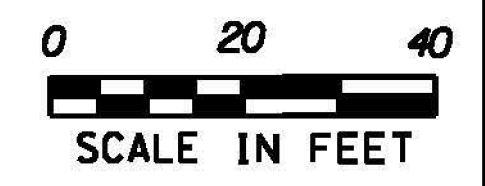
REMOVAL AND DISPOSAL OF GUARDRAIL
 STA. 269+26 - STA. 270+15 RT
 STA. 269+26 - STA. 270+02.5 LT

ENVIRONMENTALLY SENSITIVE LOCATIONS:

NO.	LIMITS	POS.	TYPE
7.	STA. 269+31 - STA. 270+32	LT	-
8.	STA. 269+62 - STA. 269+76	RT	-

SPECIAL PROVISION (BOX BEAM GUARDRAIL W/7 FEET POSTS)
 STA. 267+95 - STA. 270+83 RT
 STA. 268+70.5 - STA. 271+40.5 LT
 271+18

SIGN LEGEND
 R = REMOVE
 R&S = REMOVE AND SALVAGE
 RET = RETAIN
 S = SALVAGED
 N = NEW
 B-B = BACK TO BACK
 - - = EXISTING
 — = NEW



PROJECT NAME: BETHEL-RANDOLPH	FILE NAME: z10c244bdr.dgn	PLOT DATE: 4/23/2015
PROJECT NUMBER: STP 292(I)	PROJECT LEADER: C. LATHROP	DRAWN BY: S. LAMPHERE
	DESIGNED BY: S. LAMPHERE	CHECKED BY: C. LATHROP
	PLAN SHEET 27	SHEET 53 OF 211