

DURABLE 4 INCH WHITE LINE, SEE OPTION ITEMS
 STA. 239+25 - STA. 245+25 (SOLID LT & RT)

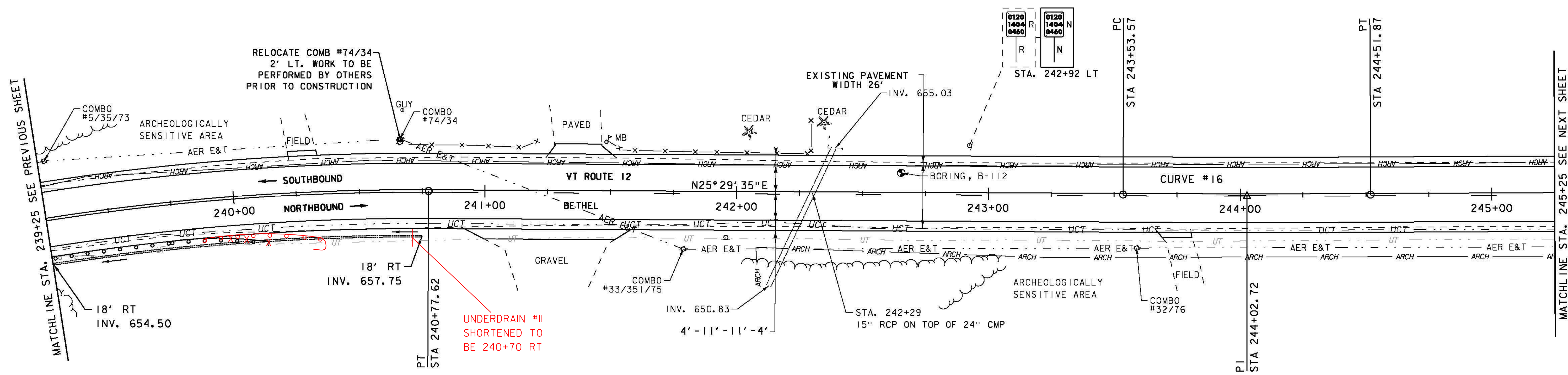
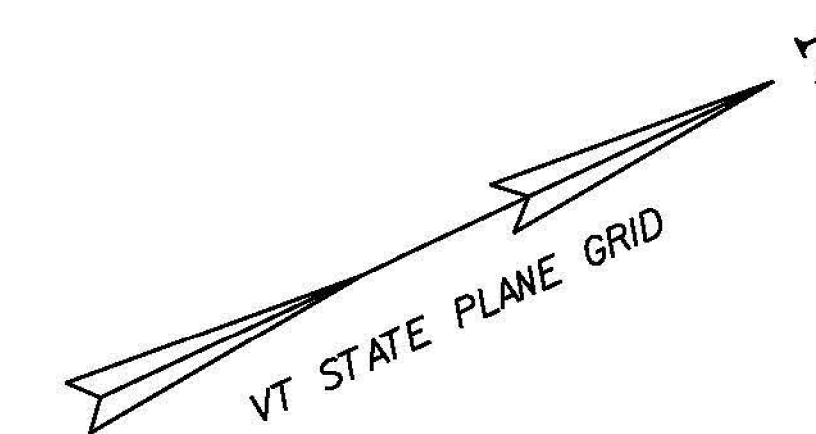
TEMPORARY 4 INCH WHITE LINE, PAINT
 STA. 239+25 - STA. 245+25 (SOLID LT & RT)

²⁴⁰⁺⁹⁵
DURABLE 4 INCH YELLOW LINE, POLYUREA
 STA. 239+25 - STA. ~~240+87~~ (CENTERLINE)
 STA. ~~240+87~~ - STA. 245+25 (SOLID LT, DASHED RT)
²⁴⁰⁺⁹⁵

TEMPORARY 4 INCH YELLOW LINE, PAINT
 STA. 239+25 - STA. 240+87 (CENTERLINE)
 STA. 240+87 - STA. 245+25 (SOLID LT, DASHED RT)

REMOVING SIGNS
 AS SHOWN - I

6 INCH UNDERDRAIN PIPE
 STA. ~~239+25~~ - STA. ~~240+75~~ RT
²³⁹⁺¹⁰ ²⁴⁰⁺⁷⁰

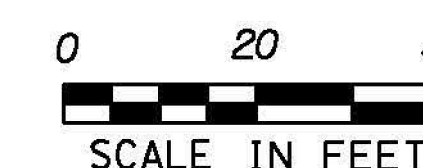


REMOVAL AND DISPOSAL OF GUARDRAIL
 STA. 239+25 RT - STA. 239+42 RT

SPECIAL PROVISION (BOX BEAM GUARDRAIL W/7 FEET POSTS)
 STA. 239+25 RT - STA. ~~240+13~~ RT
²⁴⁰⁺³²

SIGN LEGEND

- R = REMOVE
- R&S = REMOVE AND SALVAGE
- RET = RETAIN
- S = SALVAGED
- N = NEW
- B-B = BACK TO BACK
- - = EXISTING
- = NEW



PROJECT NAME:	BETHEL-RANDOLPH	FILE NAME:	z10c244bdr.dgn	PLOT DATE:	4/23/2015
PROJECT NUMBER:	STP 292(I)	PROJECT LEADER:	C. LATHROP	DRAWN BY:	S. LAMPHERE
		DESIGNED BY:	S. LAMPHERE	CHECKED BY:	C. LATHROP
		PLAN SHEET 22		SHEET	48 OF 211