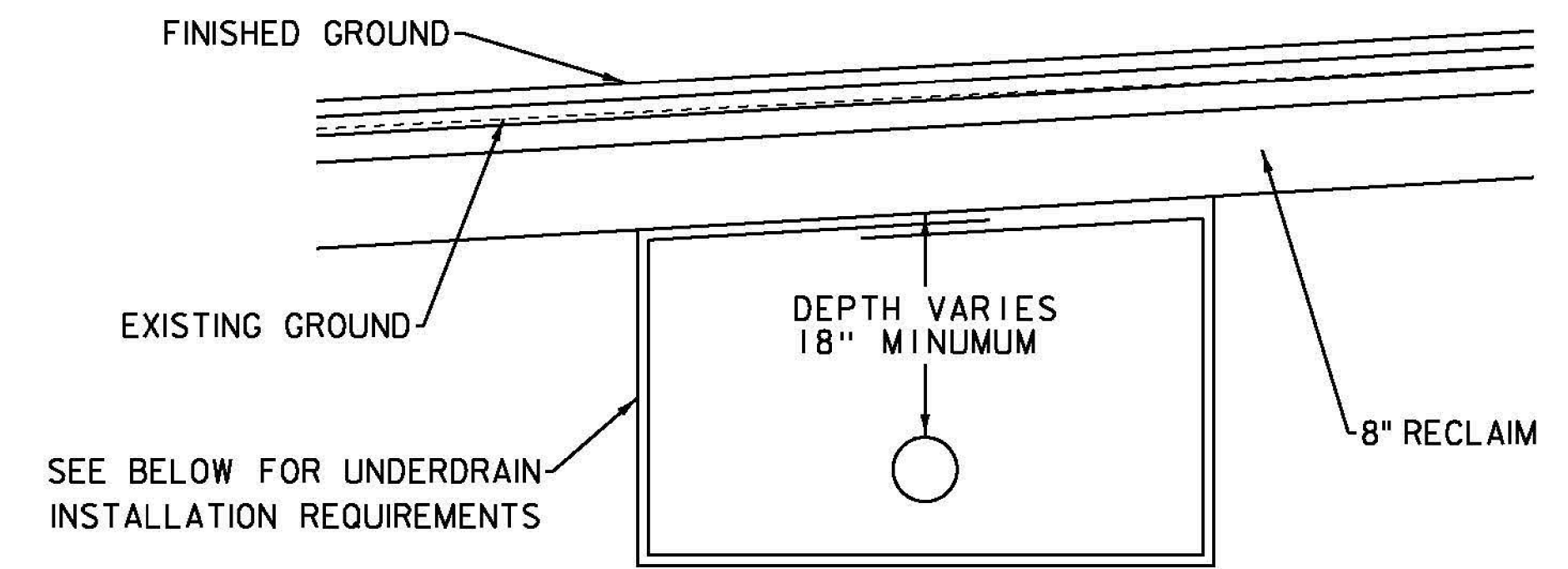


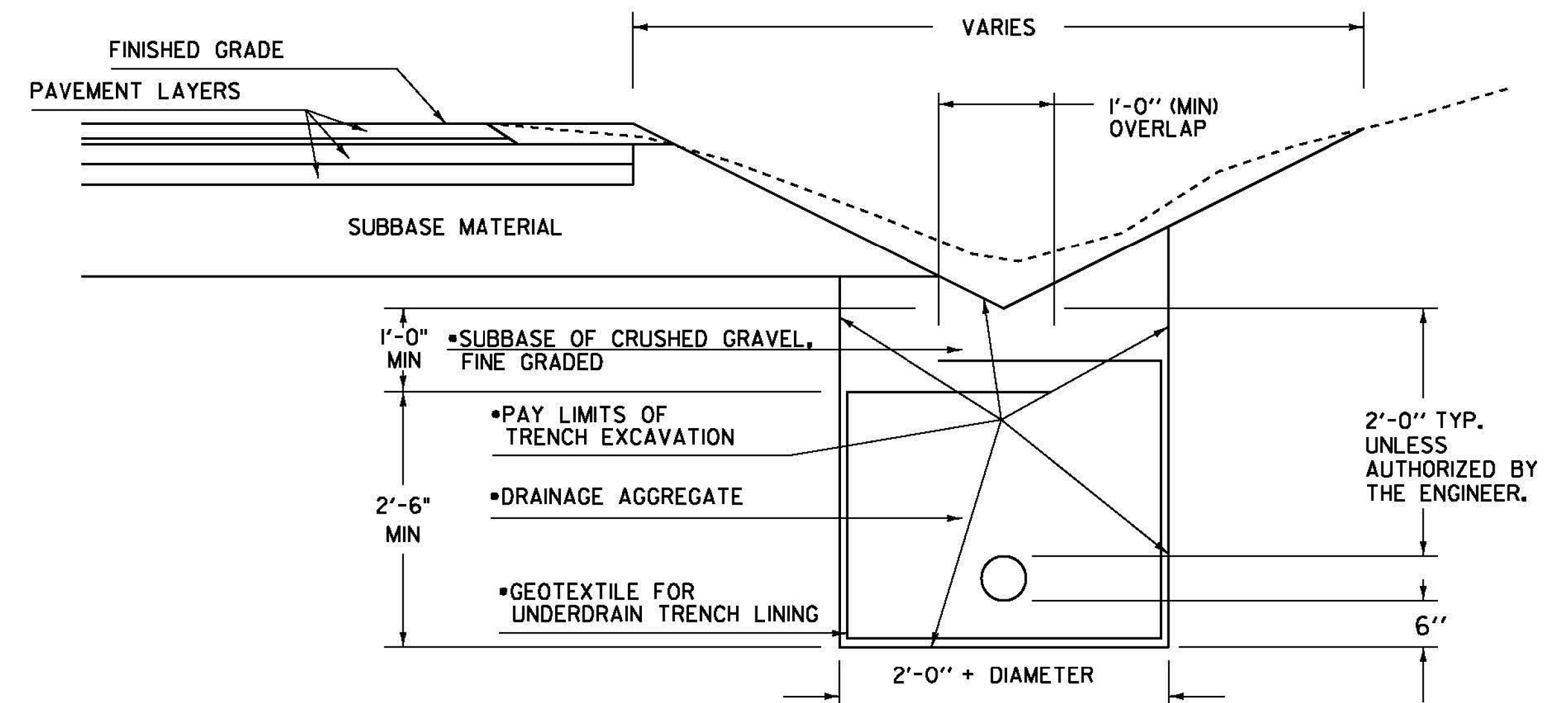
SITE	LOCATION			POS.	MISC. ITEMS					REMARKS		
	STATION	STATION			605.10 6 INCH UD PIPE LF	DRAINAGE AGGREGATE CY	GEOTEXTILE FOR TRENCH SY	204.20 TRENCH EXCAVATION CY	204.21 TRENCH EXC.OF ROCK CY		SUBBASE OF CRUSHED GRAVEL, FINE GRADED CY	619.17 YIELDING MARKER POSTS EA
1	153+25	154+20	LT	95.0	35.2	147.8	29.9	5.3	13.2	2		
2	154+25	155+75	LT	150.0	55.6	233.3	47.3	8.3	20.8	2		
3	158+75	162+75	LT	400.0	148.1	622.2	125.9	22.2	55.6	2		
4	164+00	167+70 <del>168+00</del>	LT	<del>400.0</del>	148.1	622.2	125.9	22.2	55.6	2		
5	168+00	171+82 <del>174+75</del>	LT	<del>300.0</del>	138.9	583.3	118.1	20.8	52.1	2	BRING UNDERDRAIN ACROSS ROAD OUTLET ON RT. AT EL. = 632.25'	
6	172+00	175+32 <del>178+00</del>	LT	<del>300.0</del>	123.0	516.4	104.6	18.5	46.1	1	CONNECT UNDERDRAIN TO CATCH BASIN (SP. PROV. "CORING CONCRETE")	
7	178+00	179+80 <del>180+00</del>	RT	<del>180.0</del>	72.2	303.3	61.4	10.8	27.1	2		
8	186+75	189+25	LT	250.0	92.6	388.9	78.7	13.9	34.7	2		
9	227+50	232+50	RT	500.0	185.2	777.8	157.4	27.8	69.4	2		
11	239+10 <del>239+25</del>	240+70 <del>240+75</del>	RT	<del>160.0</del>	55.6	233.3	47.3	8.3	20.8	2	OUTLET ON LT. AT EL. = 636.50'	
12	262+00	264+00	LT	200.0	74.1	311.1	63.0	11.1	27.8	2		
13	265+50	269+00	LT	350.0	129.6	544.4	110.2	19.4	48.6	2		
14	278+00	283+00 <del>283+10</del>	LT	<del>500.0</del>	188.9	793.3	160.6	28.3	70.8	2		
15	291+49 <del>294+00</del>	293+89 <del>294+25</del>	LT	<del>240.0</del>	120.4	505.6	102.3	18.1	45.1	2		
16	293+00	294+50	LT	150.0	55.6	233.3	47.3	8.3	20.8	2		
17	295+02 <del>295+04</del>	296+52 <del>298+50</del>	RT	<del>150.0</del>	128.1	538.2	108.9	19.2	48.1	1	CONNECT UNDERDRAIN TO CATCH BASIN (SP. PROV. "CORING CONCRETE") OUTLET UNDERDRAIN TO CROSS PIPE	
18	298+75	300+08	LT	333.0	123.3	518.0	104.8	18.5	46.3	2		
19	300+25	302+25	LT	200.0	74.1	311.1	63.0	11.1	27.8	1	CONNECT UNDERDRAIN TO CATCH BASIN (SP. PROV. "CORING CONCRETE")	
20	302+50	305+75	LT	325.0	120.4	505.6	102.3	18.1	45.1	2		
21	308+97 <del>309+00</del>	311+85	LT	<del>288.0</del>	105.6	443.3	89.8	15.8	39.6	2	OUTLET UNDERDRAIN TO CROSS PIPE	
22	312+00	316+25	LT	425.0	157.4	661.1	133.8	23.6	59.0	2		
23	314+25	315+50 <del>315+50</del>	RT	<del>128.0</del>	46.3	194.4	39.4	6.9	17.4	2		
24	318+00	321+50	LT	350.0	129.6	544.4	110.2	129.6	48.6	2	OUTLET UNDERDRAIN TO CROSS PIPE	
26	342+50 <del>341+50</del>	345+00 <del>344+00</del>	LT	<del>340.0</del>	125.9	528.9	107.0	18.9	47.2	2		
27	345+25	349+79 <del>349+50</del>	LT	<del>450.0</del>	157.4	661.1	133.8	23.6	59.0	2		
28	350+58 <del>350+70</del>	352+98 <del>353+00</del>	LT	<del>240.0</del>	85.2	357.8	72.4	12.8	31.9	2		
29	353+16	355+50	LT	234.0	86.7	364.0	73.7	13.0	32.5	2		
30	355+67	358+50	LT	283.0	104.8	440.2	89.1	15.7	39.3	2		
31	358+65	360+00	LT	135.0	50.0	210.0	42.5	7.5	18.8	1	CONNECT UNDERDRAIN TO CATCH BASIN (SP. PROV. "CORING CONCRETE")	
32	360+00	362+95 <del>363+00</del>	LT	<del>295.0</del>	111.1	466.7	94.4	16.7	41.7	2	OUTLET UNDERDRAIN TO CROSS PIPE	
33	363+25 <del>363+00</del>	365+25 <del>367+75</del>	LT	<del>200.0</del>	175.9	738.9	149.5	26.4	66.0	2	OUTLET UNDERDRAIN TO CROSS PIPE	
34	366+60 <del>367+50</del>	370 <del>344+50</del>	A 3+50	<del>730.0</del>	237.6	997.9	202.0	35.6	96.0	2	BRING UNDERDRAIN ACROSS ROAD OUTLET ON RT. AT EL. = 679.25'	
35	A 4+20 <del>4+25</del>	A 8+00	LT	<del>380.0</del>	138.9	583.3	118.1	20.8	52.1	2		
36	A 8+20	A 11+80 <del>11+50</del>	LT	<del>360.0</del>	122.2	513.3	103.9	18.3	45.8	1	CONNECT UNDERDRAIN TO CATCH BASIN (SP. PROV. "CORING CONCRETE")	
37	A 12+00	A 14+00 <del>13+96</del>	LT	<del>200.0</del>	72.6	304.9	61.7	10.9	27.2	1	CONNECT UNDERDRAIN TO CATCH BASIN (SP. PROV. "CORING CONCRETE")	
38	A 28+50	A 31+20 <del>31+25</del>	LT	<del>270.0</del>	101.9	427.8	86.6	15.3	38.2	2		
39	A 33+00	A 36+18	LT	318.0	117.8	494.7	100.1	17.7	44.2	2		
40	A 40+75 <del>40+69</del>	A 45+25	LT	<del>450.0</del>	168.9	709.3	143.8	25.3	63.3	2		
41	A 46+50	A 49+00	LT	250.0	92.6	388.9	78.7	13.9	34.7	2		
42	A 51+05 <del>50+50</del>	A 54+29 <del>54+00</del>	LT	<del>324.0</del>	129.6	544.4	110.2	19.4	48.6	2		
SUBTOTAL				13189.5	4920.3	20664.4	4182.3	1037.1	1851.9	79.0		
ROUNDING				210.5	-	-	-	12.9	-	-		
TOTAL				13400.0	4920.3	20664.4	**	1050.0	1851.9	**	** SEE QUANTITY SHEETS FOR TOTAL QUANTITIES.	



**UNDERDRAIN ROAD CROSSING DETAIL**  
NOT TO SCALE

RUN WAS INSTALLED  
AT NEW STATIONS

■ = RUN ELIMINATED



DRAINAGE AGGREGATE SHALL MEET THE REQUIREMENTS OF SUBSECTION 704.16.

• MATERIALS INCLUDED IN THE UNIT PRICE BID FOR PAY ITEM 605.10 "6 INCH UNDERDRAIN PIPE"

**UNDERDRAIN DETAIL**

NOTE: GEOTEXTILE FOR UNDERDRAIN TRENCH LINING SHALL NOT BE PLACED  
AROUND UNDERDRAIN WHEN COVER ABOVE UNDERDRAIN IS LESS THAN 1 FOOT.

PROJECT NAME:	BETHEL-RANDOLPH	PLOT DATE:	4/23/2015
PROJECT NUMBER:	STP 2921 (I)	DRAWN BY:	S. LAMPHERE
FILE NAME:	z10c244det.dgn	DESIGNED BY:	S. LAMPHERE
		CHECKED BY:	C. LATHROP
		UNDERDRAIN DETAIL SHEET	SHEET 25 OF 211