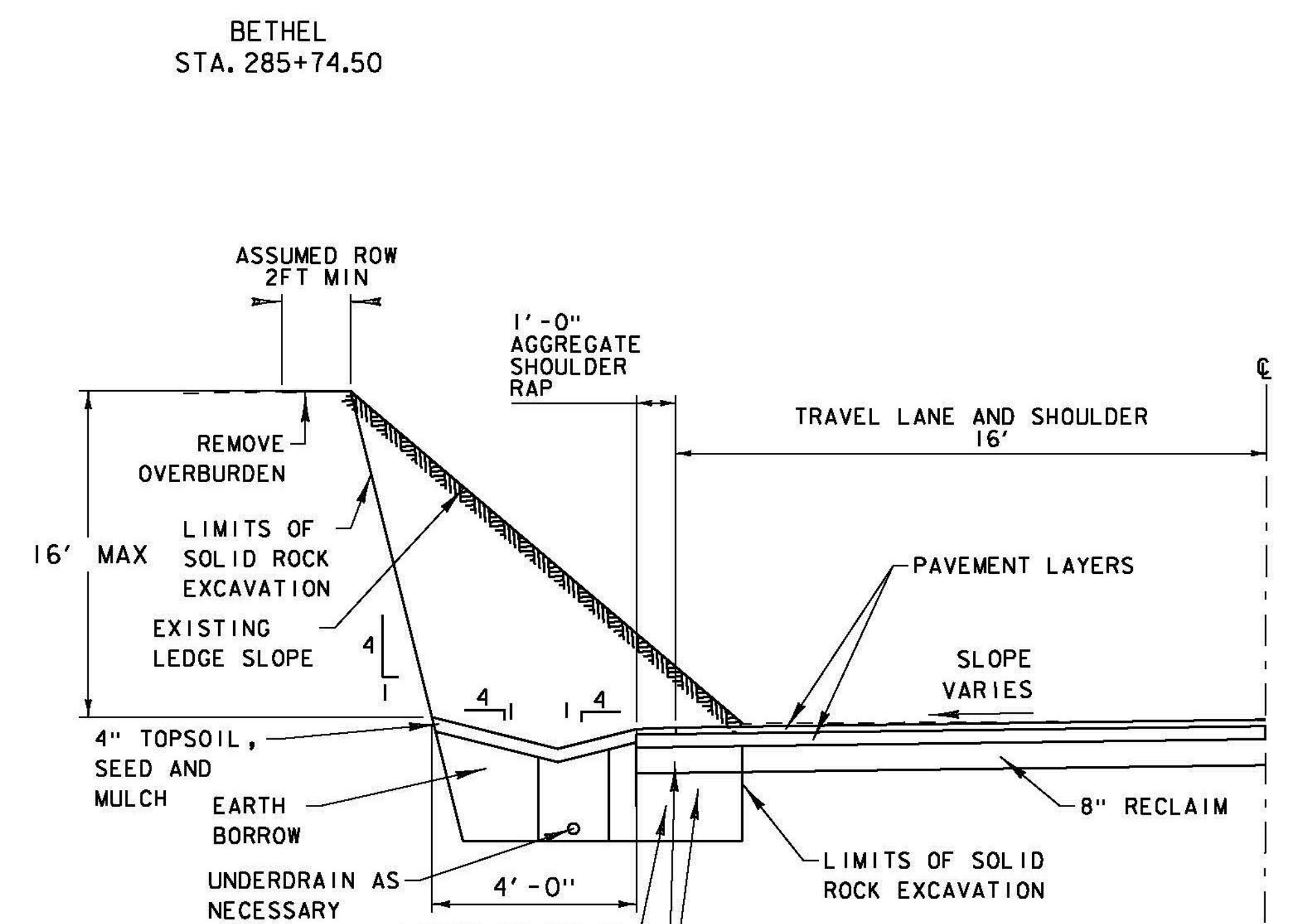
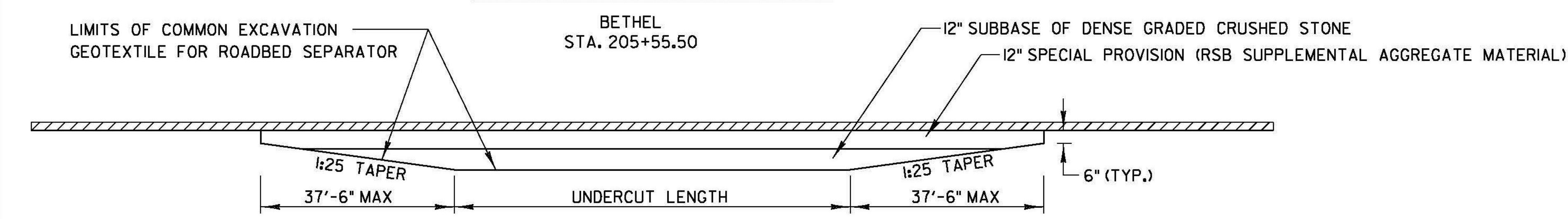


BRIDGE TRANSITION DETAIL

BRIDGE TRANSITION DETAIL

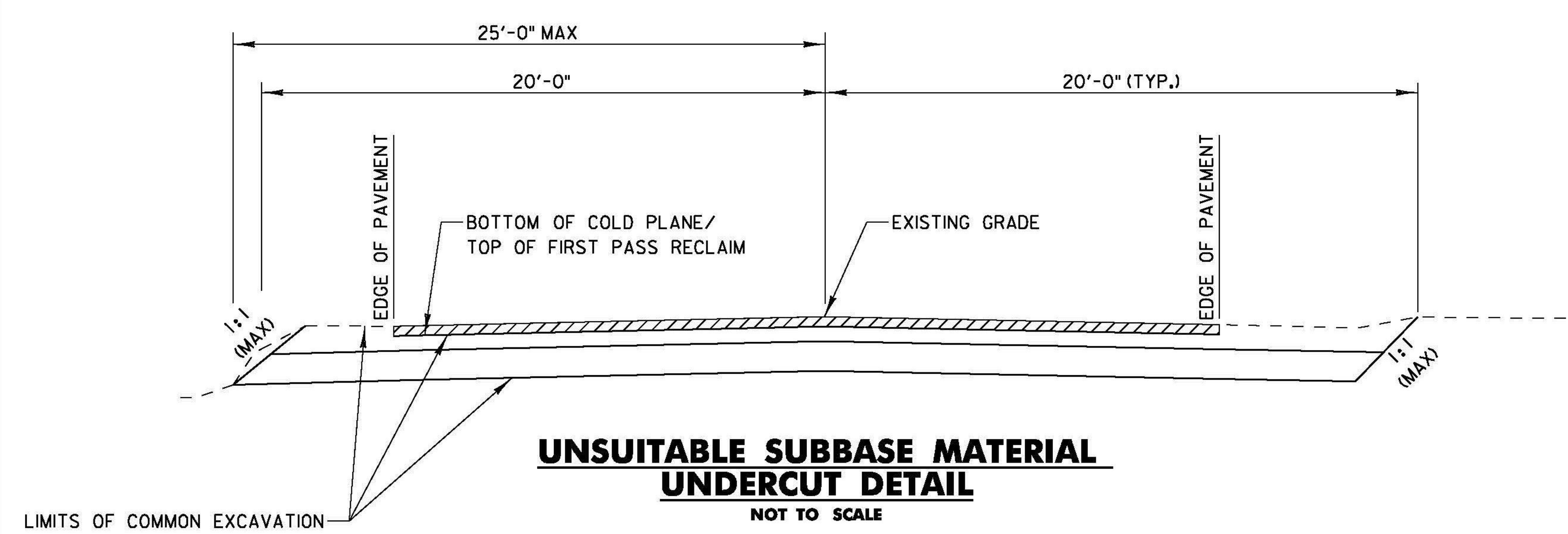


- NOTES: 1. UNDERCUT CANDIDATE AREAS ENCOUNTERED DURING CONSTRUCTION SHALL BE REVIEWED BY THE VTRANS CONSTRUCTION PAVING ENGINEER AND APPROVED BY THE PROJECT MANAGER PRIOR TO TREATMENT.
2. ALL UNDERCUTS SHALL BE FULL WIDTH.

UNSUITABLE SUBBASE MATERIAL TRANSITION DETAIL

NOT TO SCALE

LEDGE CUT TYPICAL SECTION



UNSUITABLE SUBBASE MATERIAL UNDERCUT DETAIL

NOT TO SCALE

BETHEL
 STA. 168+50 - STA. 171+50 LT
 STA. 309+90 - STA. 311+50 LT
 STA. 318+25 - STA. 320+50 LT
 STA. 351+00 - STA. 357+50 LT
 STA. 369+40 - STA. 370+41 LT

RANDOLPH
 STA. A 0+00 - STA. A 1+15 LT
 STA. A 5+00 - STA. A 6+50 LT

PROJECT NAME:	BETHEL-RANDOLPH	FILE NAME:	z10c244typ.dgn	PLOT DATE:	4/23/2015
PROJECT NUMBER:	STP 2921(I)	PROJECT LEADER:	C. LATHROP	DRAWN BY:	S. LAMPHERE
		DESIGNED BY:	S. LAMPHERE	CHECKED BY:	C. LATHROP
		PROJECT TYPICAL SHEET	5	SHEET	II OF 2II

NOT TO SCALE