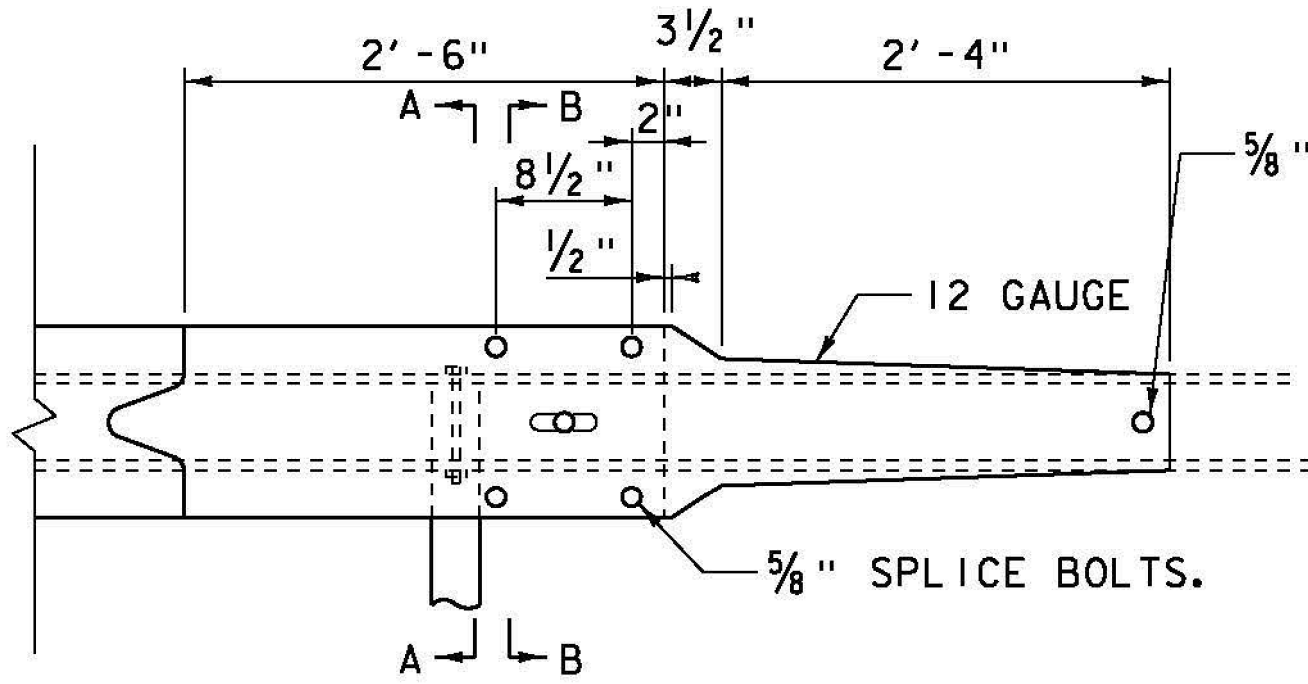
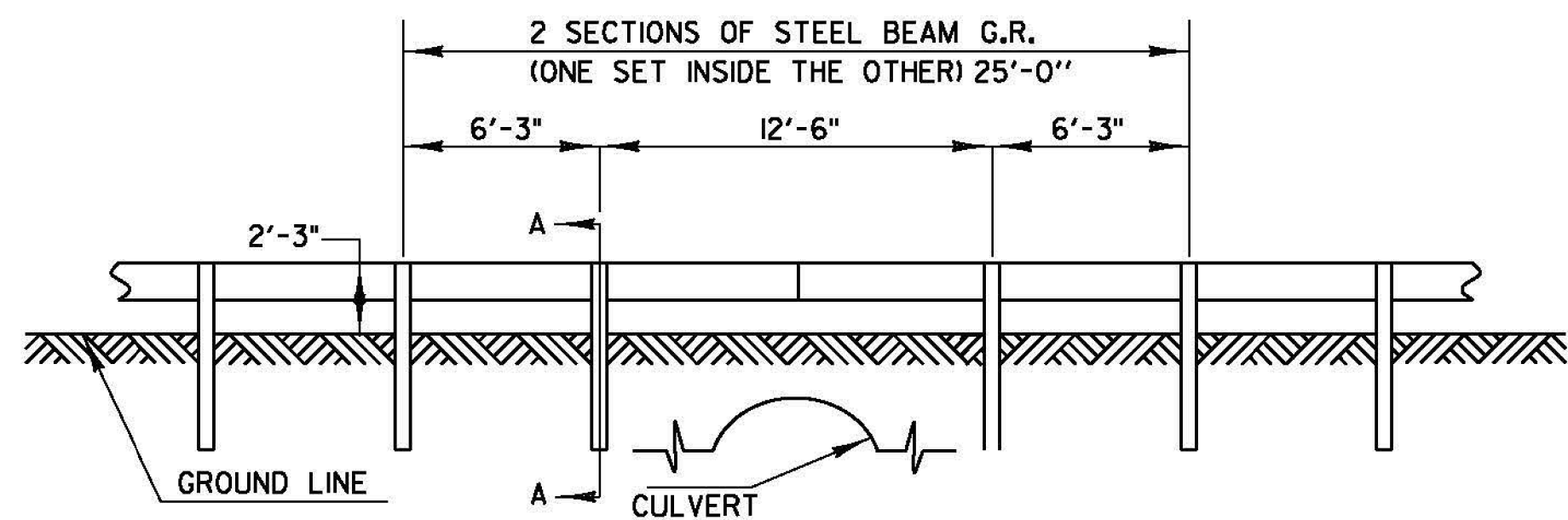


SECTION A-A

SECTION B-B

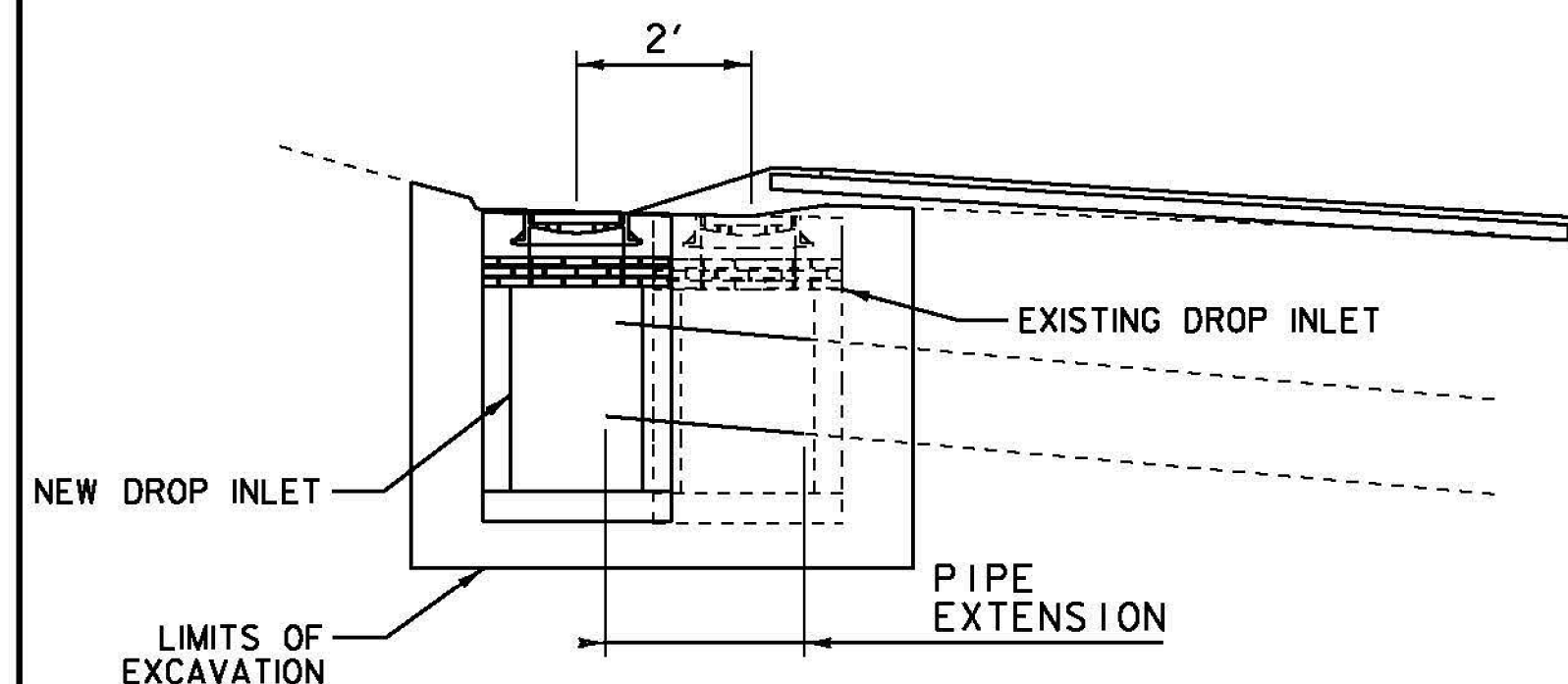


BOX BEAM TO W-BEAM TRANSITION DETAIL



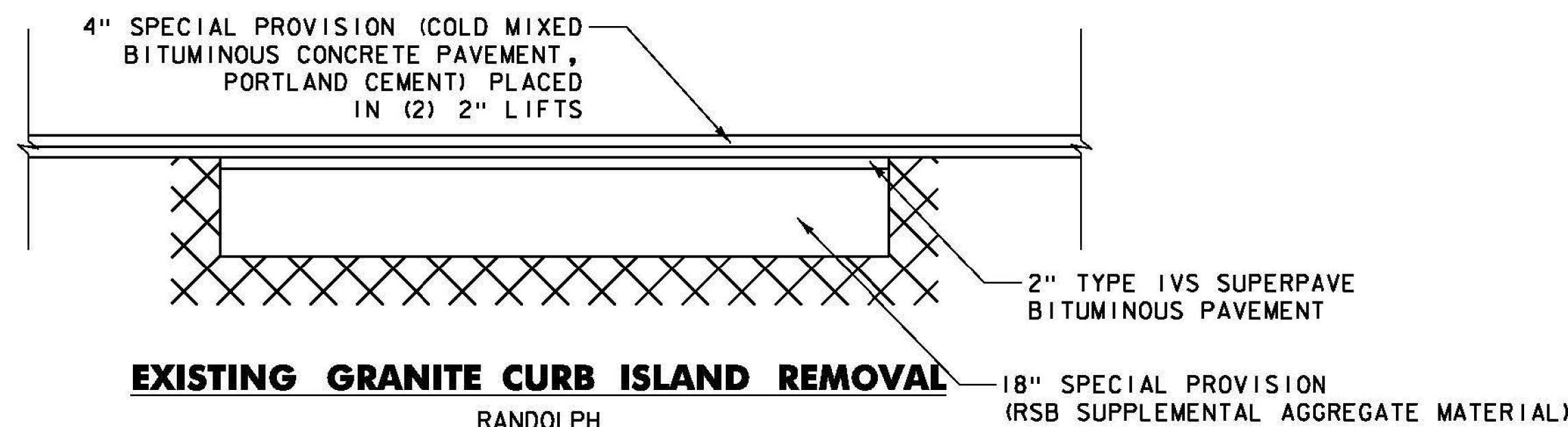
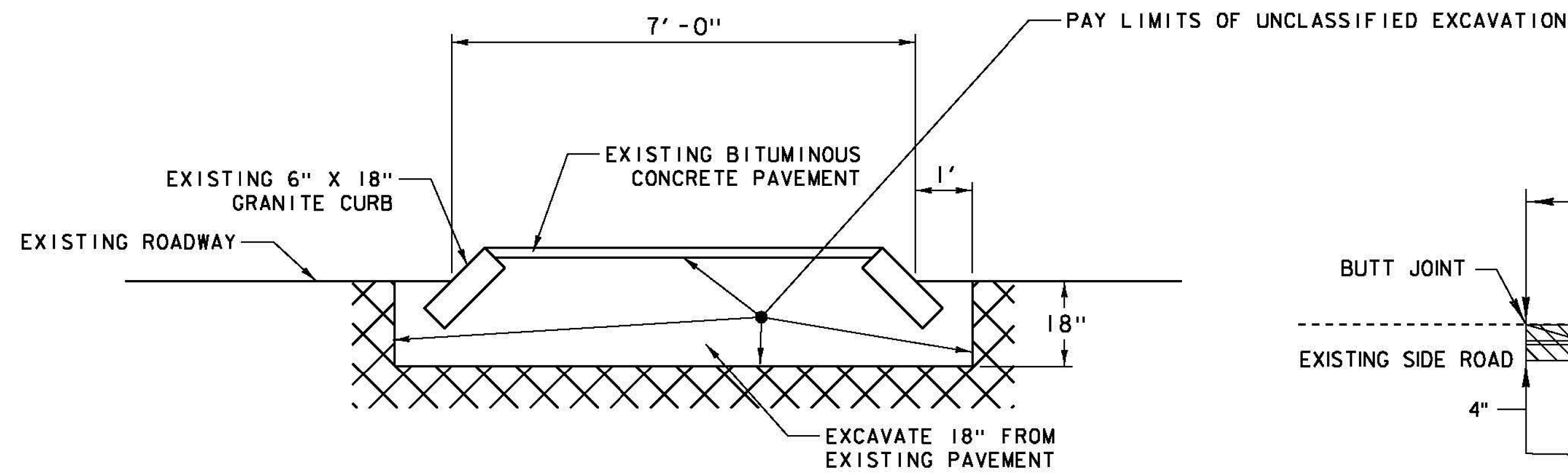
DETAIL OF STEEL BEAM GUARDRAIL AT SMALL CULVERTS

TO BE PAID UNDER ITEM 621.207 "STEEL BEAM GUARDRAIL, GALVANIZED/NESTED W/8 FEET POST"
BETHEL
STA. 143+43 LT
STA. 143+45 RT
STA. 226+87 RT



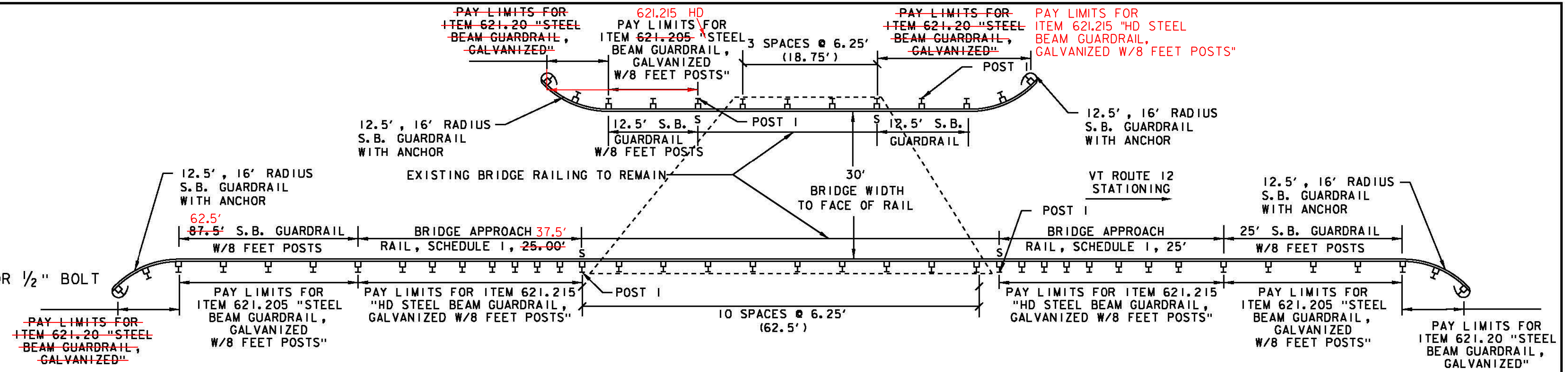
DROP INLET RELOCATION

SEE LAYOUT SHEETS FOR LOCATIONS OF ALL SIDE ROADS



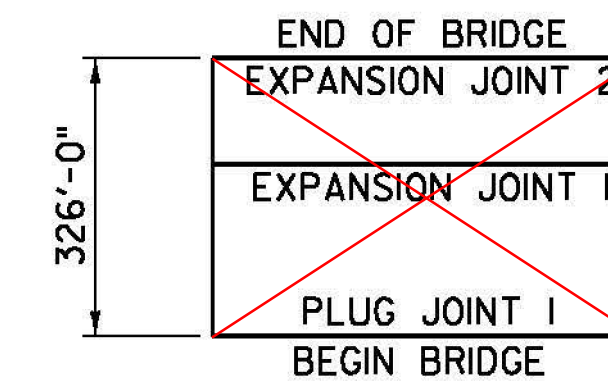
EXISTING GRANITE CURB ISLAND REMOVAL

RANDOLPH
STA. A 60+18 LT



RANDOLPH BRIDGE #40
STA. A 26+13 - MM 0.495

JOINT	STATION	LENGTH
1	205+34	20' - 0"
2	205+77	20' - 0"
BRIDGE #34		40' - 0"
TOTAL LENGTH OF JOINT		



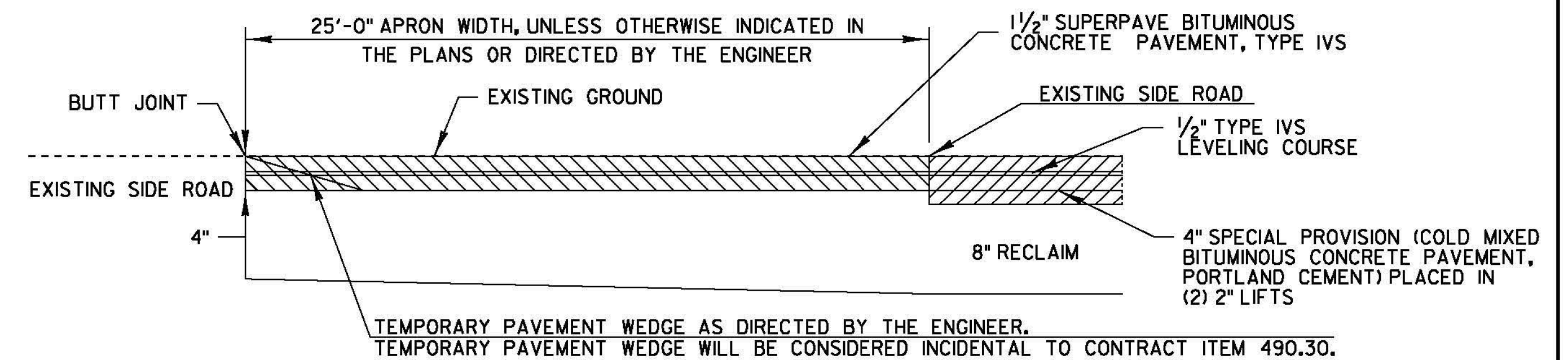
BETHEL BRIDGE #34
STA. 205+21 (MM 3.887)
COLD PLANE AND PAVE

JOINT	STATION	LENGTH
1	284+12	24' - 0"
2	285+65	24' - 0"
3	287+37	24' - 0"
BRIDGE #38		72' - 0"
TOTAL LENGTH OF JOINT		

BETHEL BRIDGE #38
STA. 284+12 (MM 5.381)
COLD PLANE AND PAVE

BRIDGE #	516.10 BRIDGE EXPANSION JOINT, ASPHALTIC PLUG	580.20 RAPID SETTING CONCRETE REPAIR MATERIAL WITH COARSE AGGREGATE
	LF	CF
BETHEL 34	40	50
BETHEL 38	72	50
RANDOLPH 40	65	
SUBTOTAL	112	100
ROUNDING	3	-
TOTAL	115	100

NOTE: REFER TO BRIDGE JOINT ASPHALTIC PLUG - STRUCTURES DETAIL SD-516.10



TRANSITION AREA FOR SIDE ROADS

FULL WIDTH OF TOWN HIGHWAY
SEE LAYOUT SHEETS FOR LOCATIONS OF ALL SIDE ROADS

PROJECT NAME: BETHEL-RANDOLPH
PROJECT NUMBER: STP 2921 (1)

FILE NAME: z10c244typ.dgn
PROJECT LEADER: C. LATHROP
DESIGNED BY: S. LAMPHERE
PROJECT TYPICAL SHEET 3
PLOT DATE: 4/23/2015
DRAWN BY: S. LAMPHERE
CHECKED BY: C. LATHROP
SHEET 9 OF 211

NOT TO SCALE