

## VIP Camera Assembly

2050-102MI



### Camera Specifications-

**Image Sensor:**  
Interline 1/3" Sony  
Super HAD II CCD™

**Effective Pixels:**  
768 (H) X 494 (V)

**Horizontal Resolution:**  
540 TV Lines

**Min. Illumination:**  
0.1 lux

**Temperature Range:**  
-34°C to +74°C, 0 to 100%  
relative humidity, non-  
condensing

### Lens Specifications-

**Image Format:**  
1/3"

**Focal Length:**  
Motorized- 6.5mm to 65mm  
(40.5° to 4.2°)

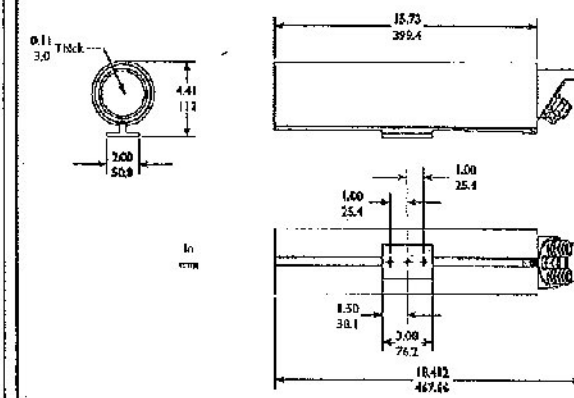
**Iris:**  
F1.4 to 360

### Junction Box Specifications-

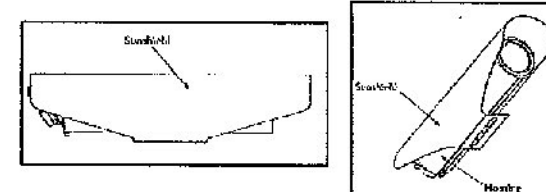
**Construction:**  
Rigid PVC, certified to  
NEMA 1, 2, 3, 4, 4x, 6P,  
12, 13  
UL514B- UL514C

**Connections:**  
Video surge protector BNC  
& 6-conductor, (shipped  
with assembly inside the  
junction box)

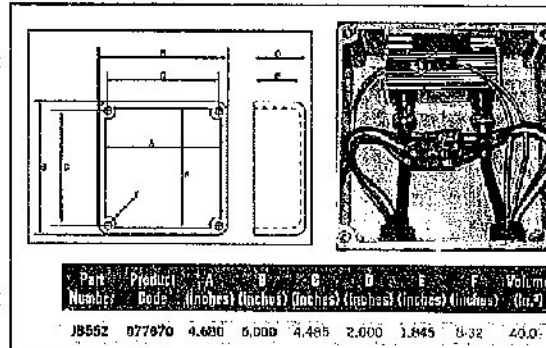
### Camera Housing Dimensions



### Sunshield



### Junction Box Dimensions



### Zoom lens control at the cabinet

When using our standard "Siamese" video & coaxial cable, the camera's motorized zoom lens can be controlled from the convenience and safety of the traffic control cabinet.



Pictured: Siamese Cable & CT Zoom Lens Controller

### Housing Specifications-

**Construction:**  
Extruded aluminum hous-  
ing, aluminum rear-end cap,  
aluminum front cap with  
glass faceplate, and alumi-  
num cradle (6063-T6)

**Mounting:**  
Three (3) 1/4-20 tapped  
holes. Cradle may be ro-  
tated through 360°

**Window:**  
0.118" (3 mm) thick glass.  
Includes thermostatically-  
controlled window heater/  
defogger

**Temperature Range:**  
-34°C to +74°C, 0 to 100%  
relative humidity, non-  
condensing

**Cable Entry:**  
Three liquid-tight fittings

**Salt Atmosphere:**  
MIL-STD-810E, Method  
509, Procedure I

**Enclosure Protection:**  
IP68, Designed to meet  
NEMA-6P

**Power:**  
115 VAC, 50/60 Hz  
13 Watts (Includes 4 Watt  
Heater)

**Sunshield:**  
Provides protection from the  
direct rays of the sun and  
promotes cooling to reduce  
internal housing tempera-  
tures