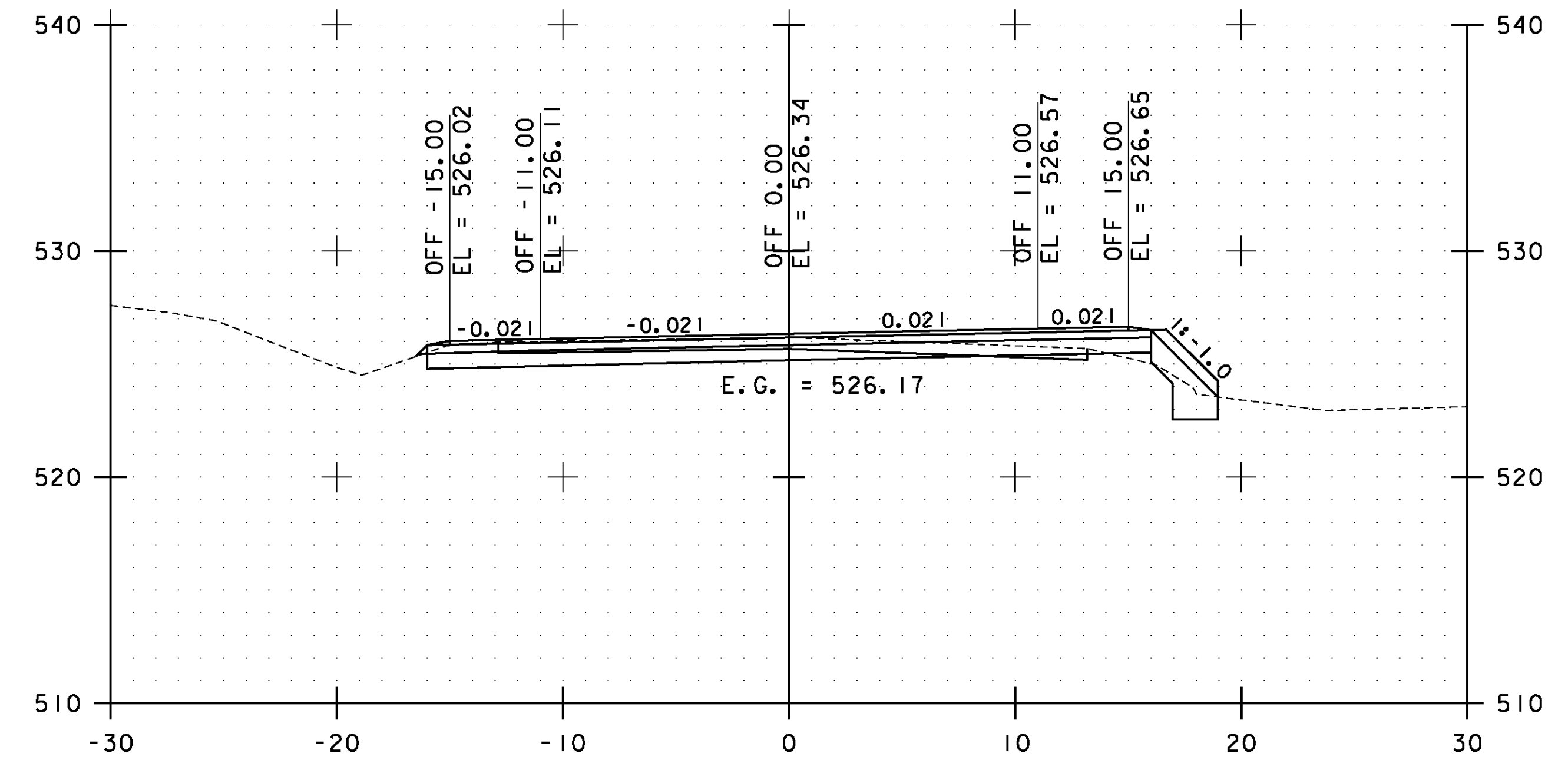
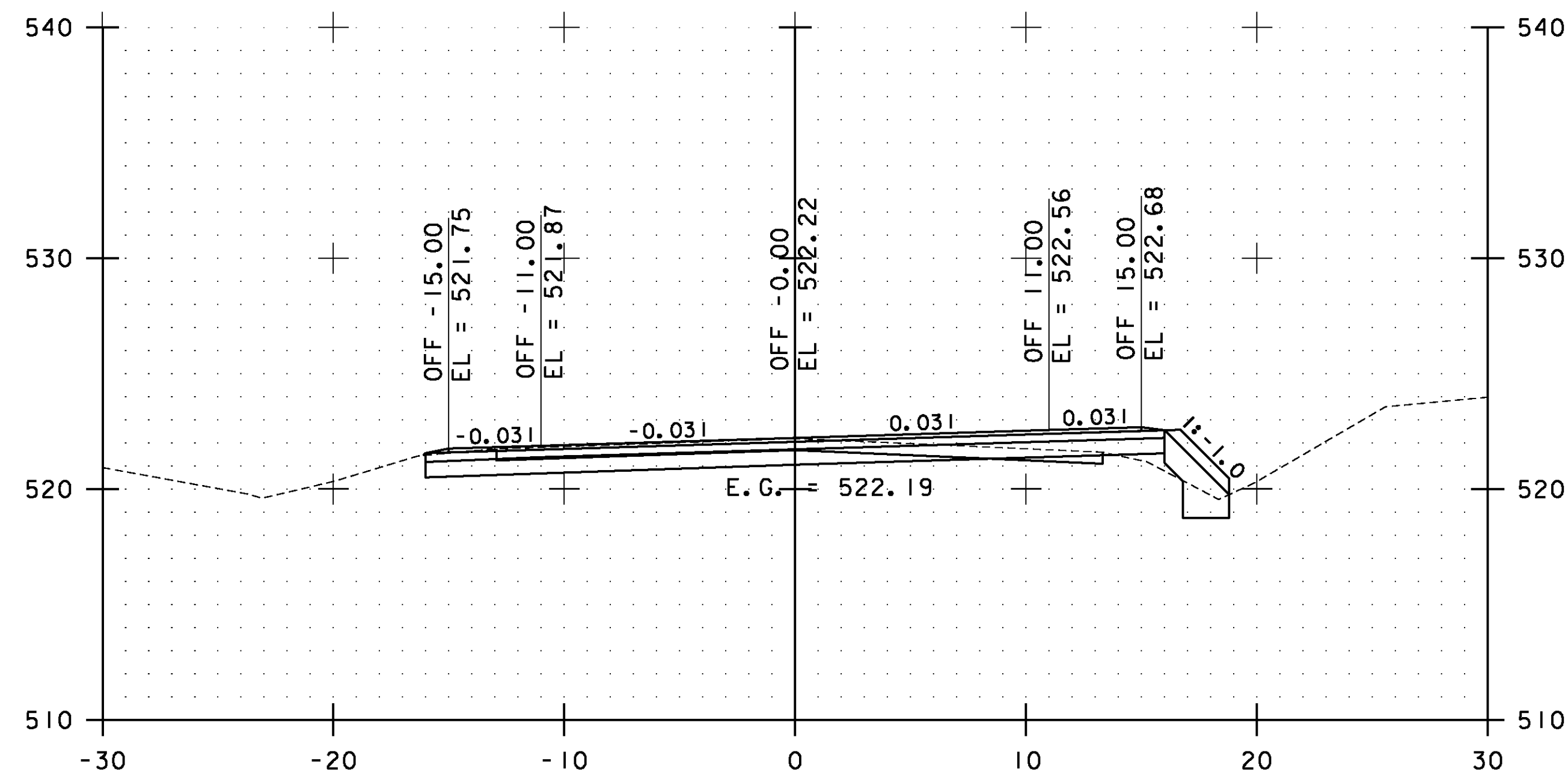


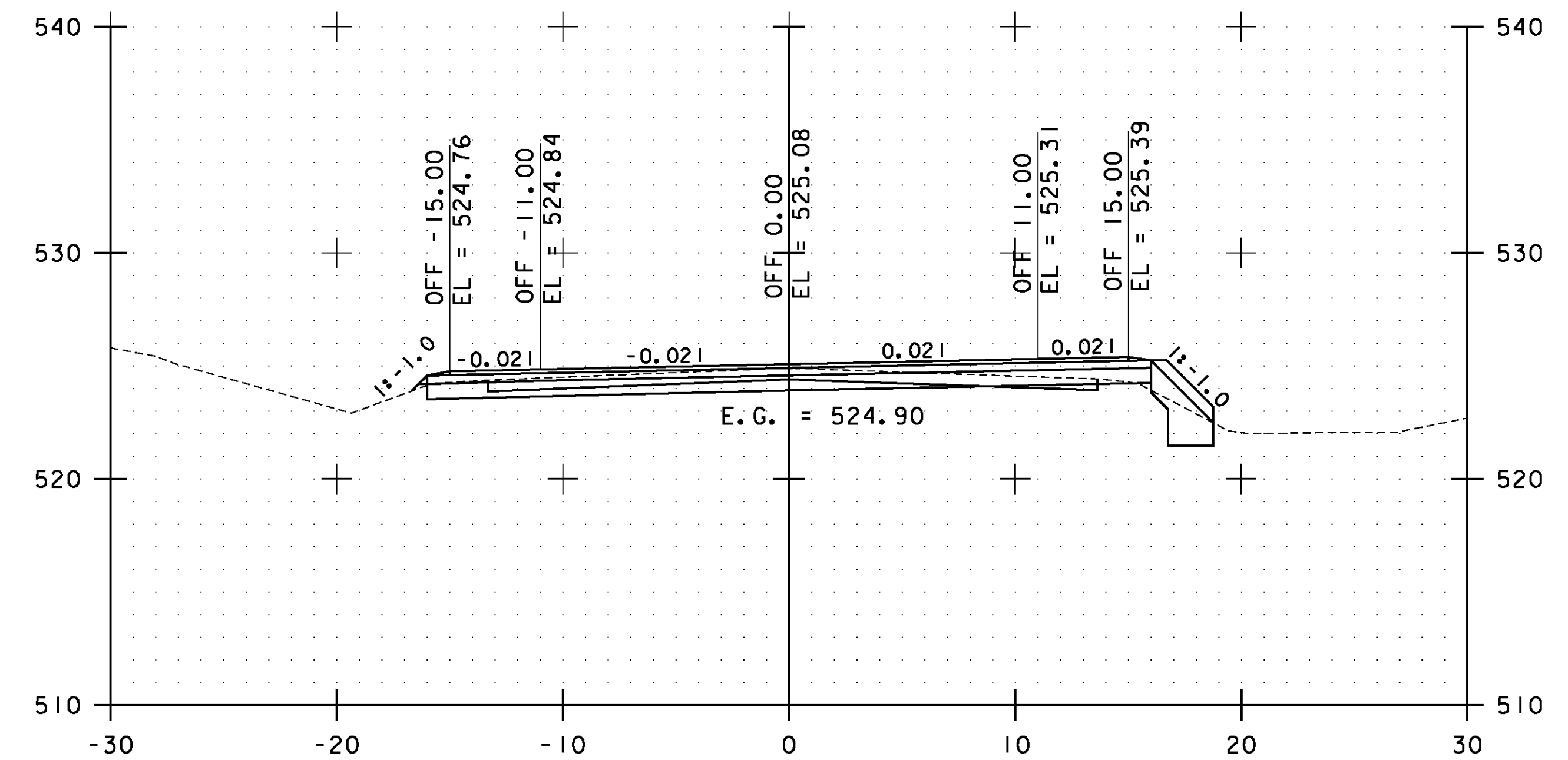
63+00.00



64+00.00

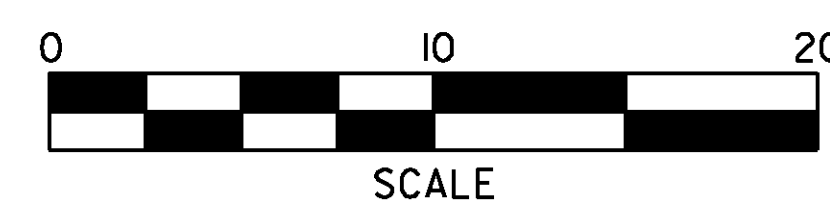


62+50.00



63+50.00

STA. 62+50.00 TO STA. 64+00.00



**WESTFORD  
CROSS  
SECTIONS  
SHEET #33**

PROJECT NAME: ESSEX-WESTFORD	PLOT DATE: 2/20/2013
PROJECT NUMBER: STP 2912(I)	DRAWN BY: STANTEC
FILE NAME: p10c226.dgn	CHECKED BY: STANTEC
PROJECT LEADER: JLL	SHEET 235 OF 239
DESIGNED BY: STANTEC	
IPARM FILE: p10c226xs144.i	