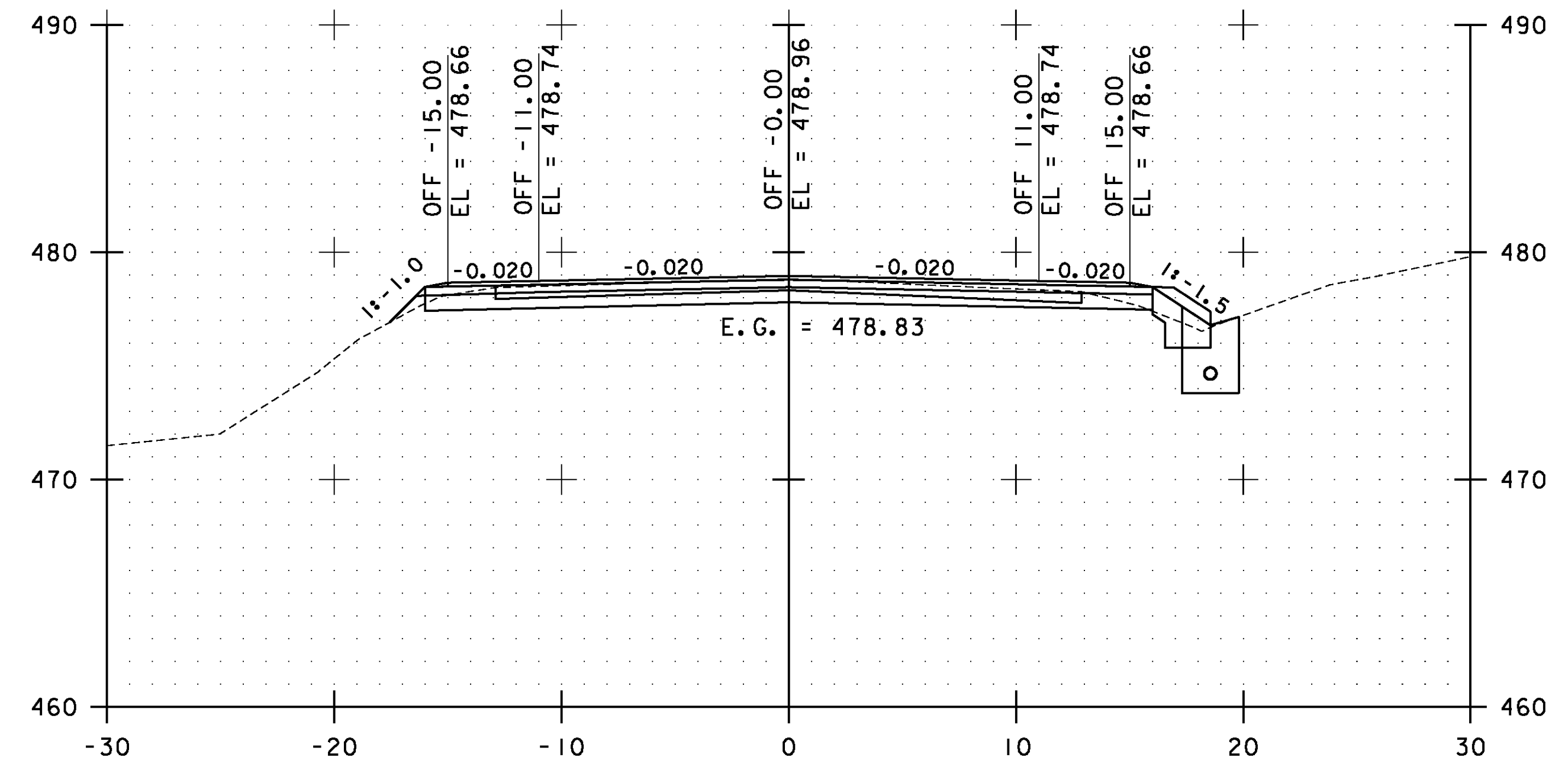
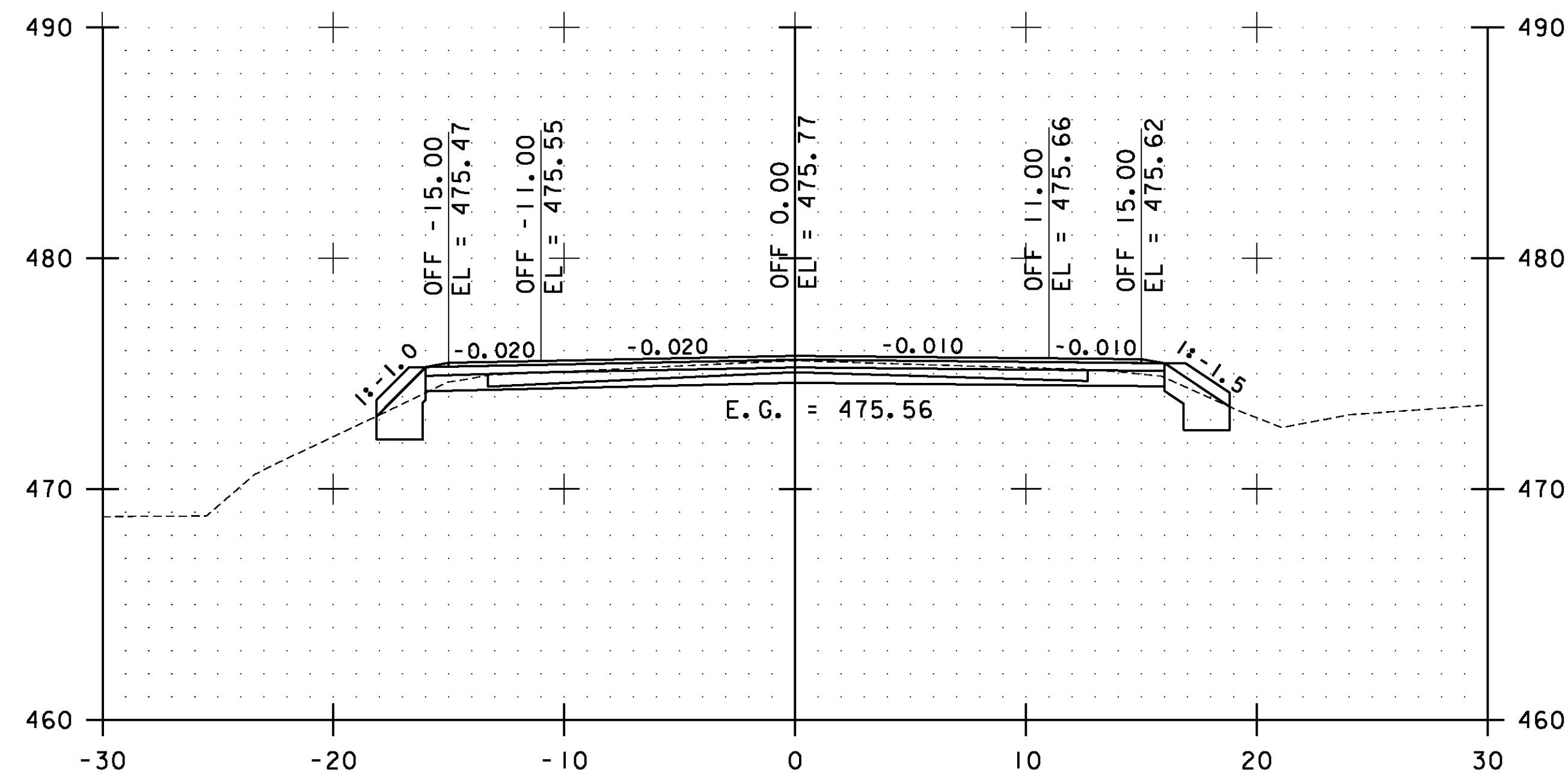


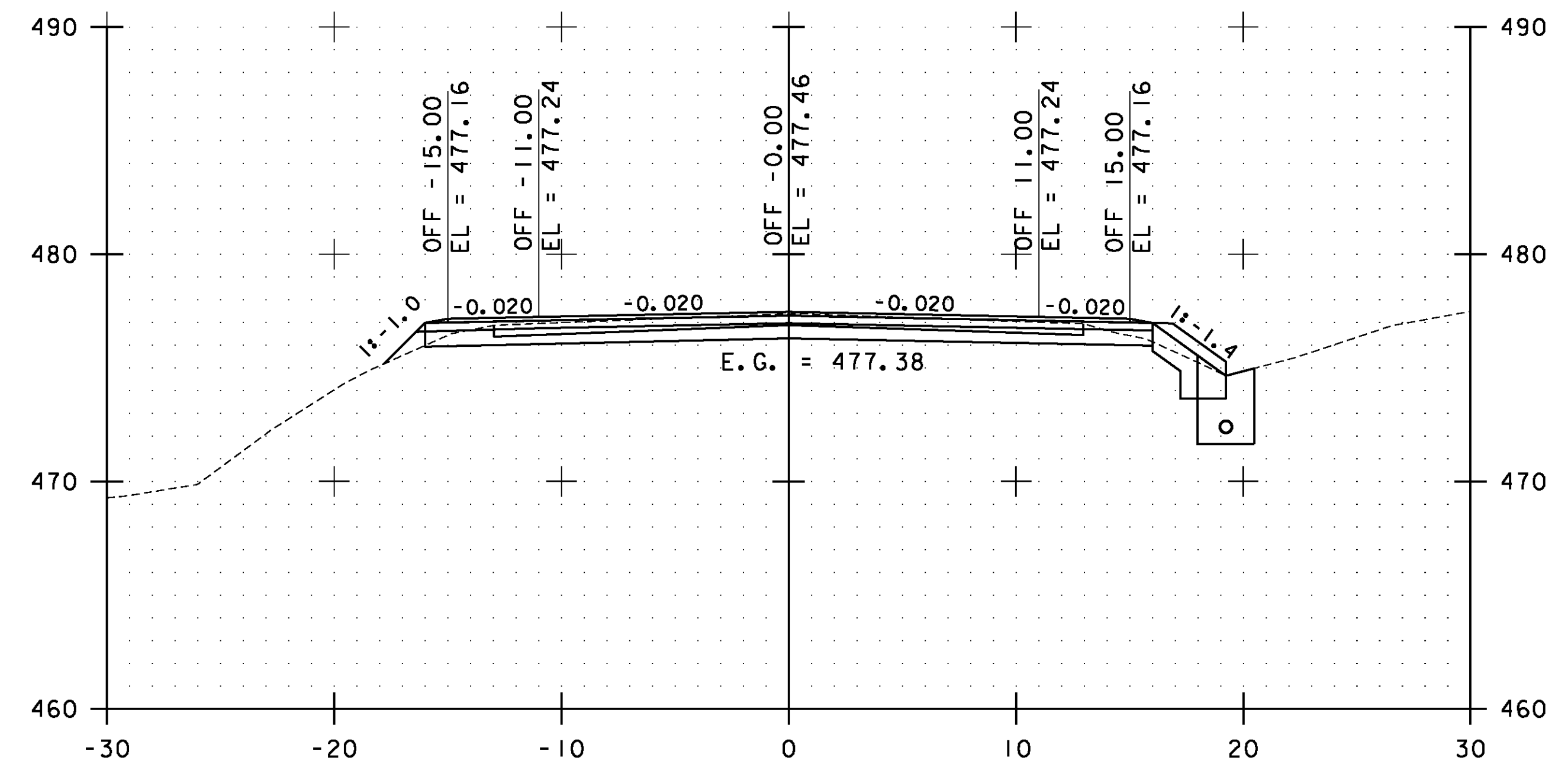
27+50.00



28+50.00

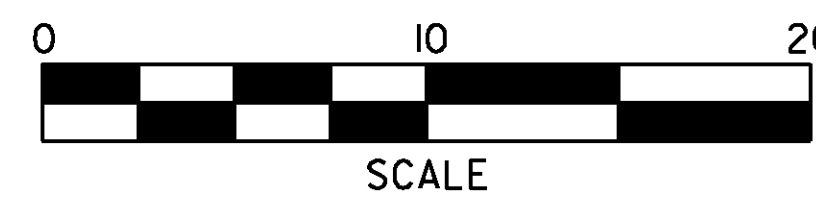


27+00.00



28+00.00

STA. 27+00.00 TO STA. 28+50.00



**WESTFORD
CROSS
SECTIONS
SHEET #14**

PROJECT NAME: ESSEX-WESTFORD
PROJECT NUMBER: STP 2912(I)

FILE NAME: p10c226.dgn
PROJECT LEADER: JLL
DESIGNED BY: STANTEC
IPARM FILE: p10c226xs125.i

PLOT DATE: 2/20/2013
DRAWN BY: STANTEC
CHECKED BY: STANTEC
SHEET 216 OF 239