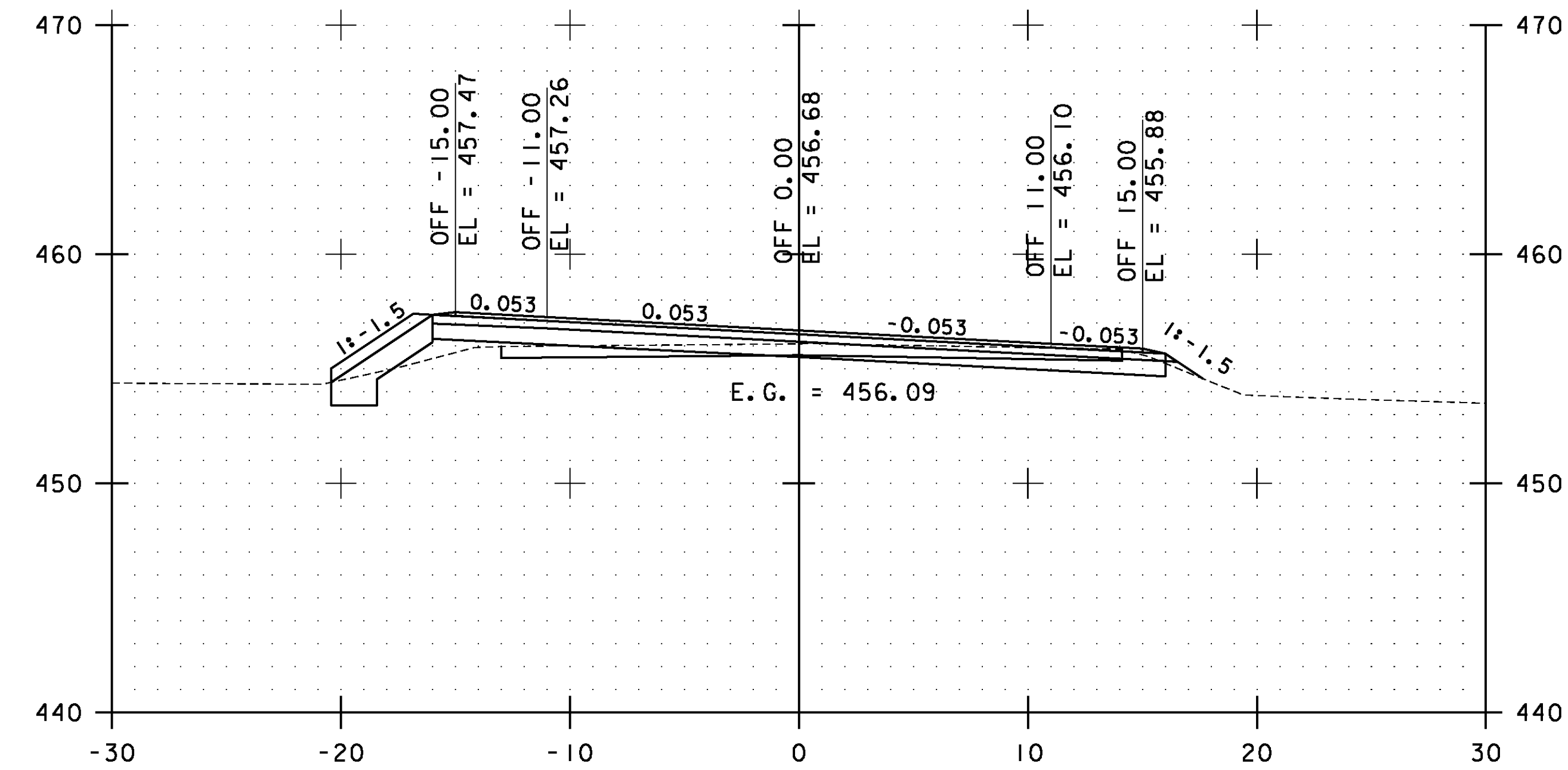
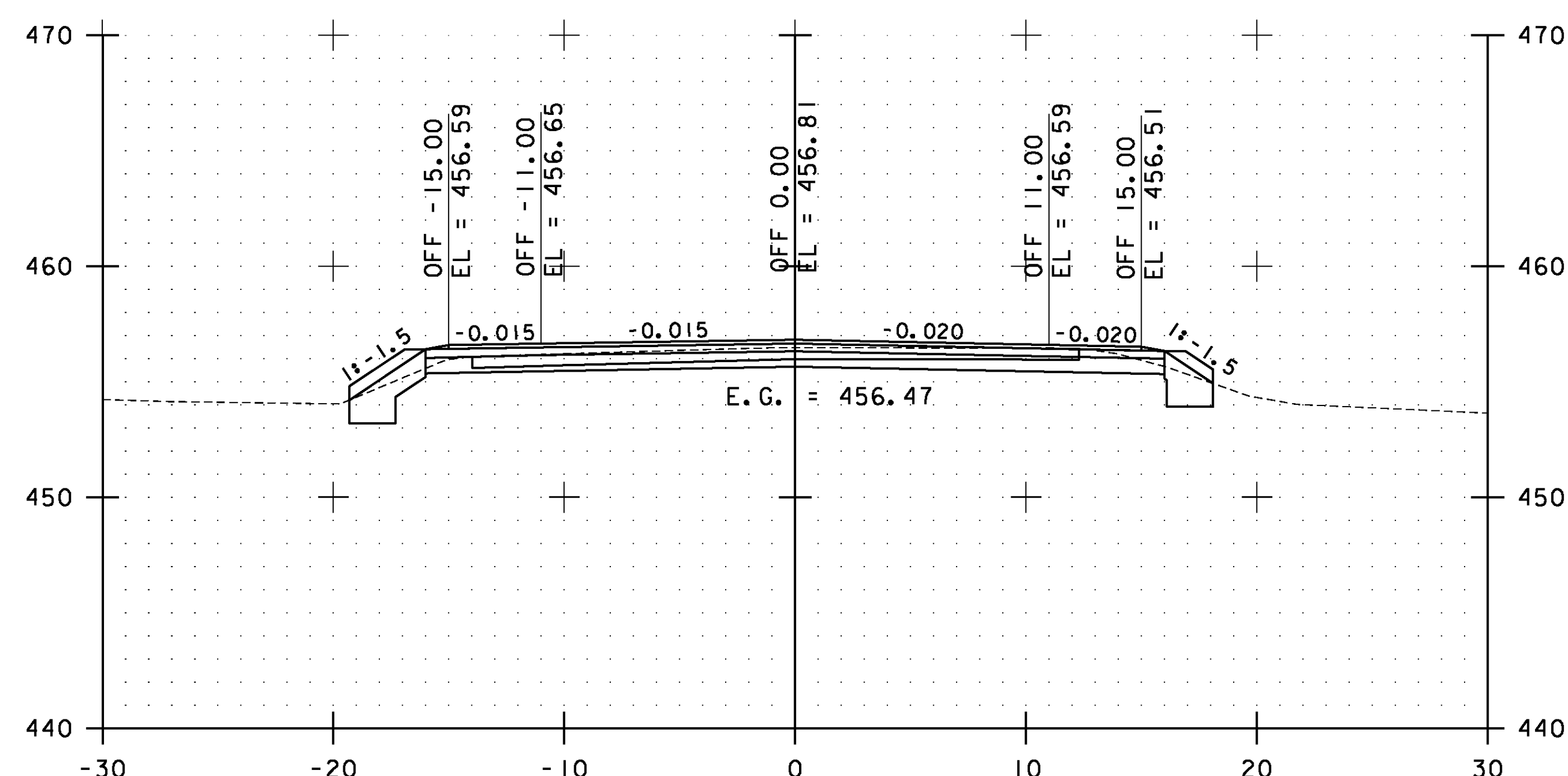


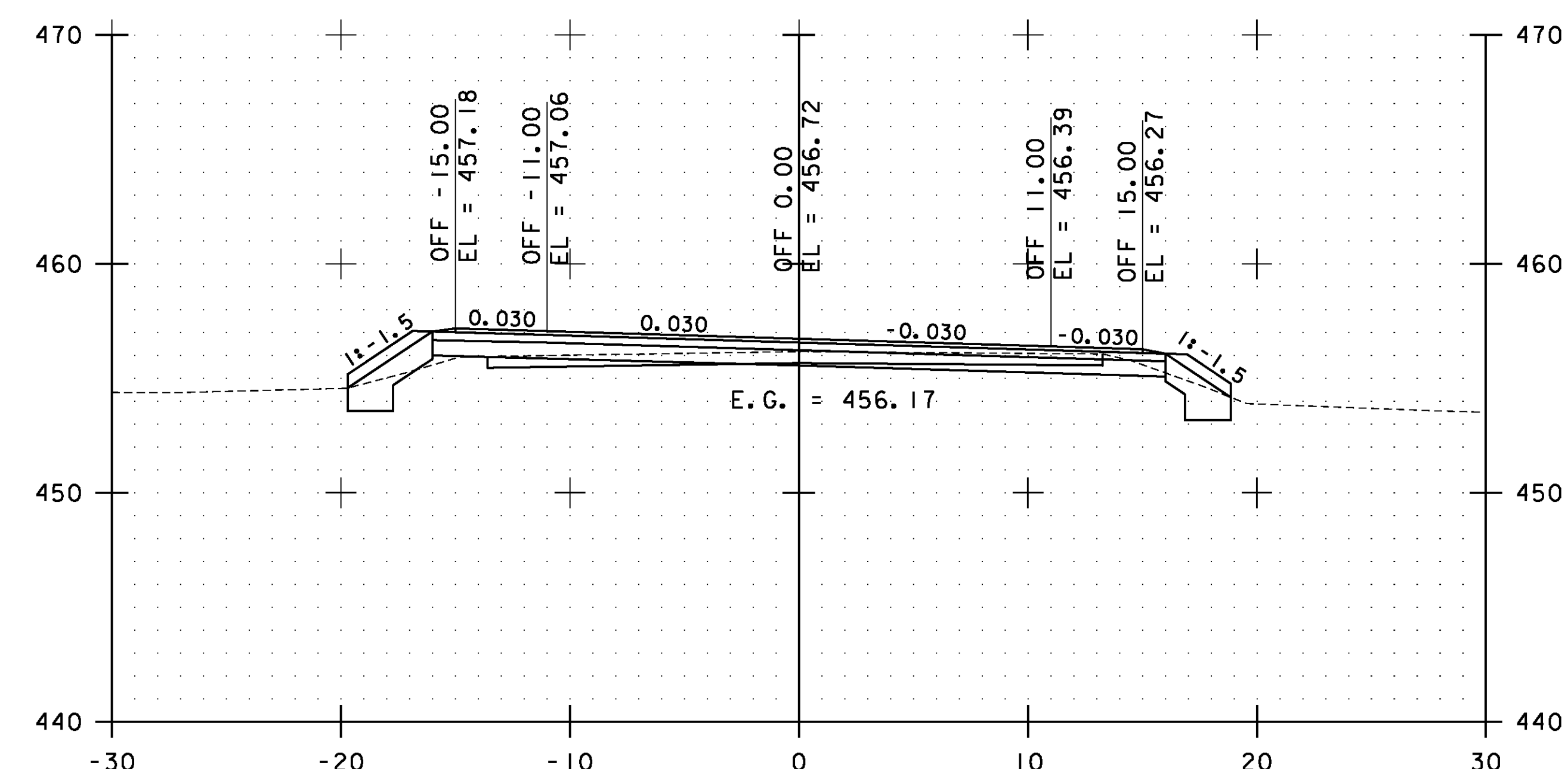
210+50.00



211+50.00

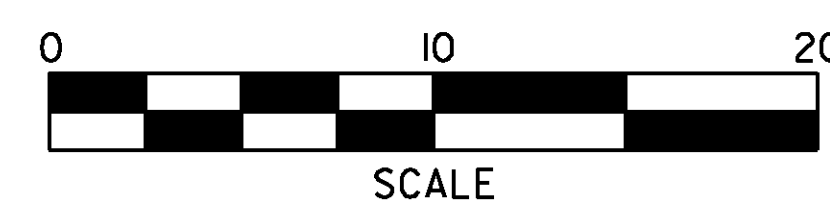


210+00.00



211+00.00

STA. 210+00.00 TO STA. 211+50.00



**ESSEX
CROSS
SECTIONS
SHEET #100**

PROJECT NAME: ESSEX-WESTFORD	PLOT DATE: 2/20/2013
PROJECT NUMBER: STP 2912(I)	DRAWN BY: STANTEC
FILE NAME: p10c226.dgn	CHECKED BY: STANTEC
PROJECT LEADER: JLL	SHEET 191 OF 239
DESIGNED BY: STANTEC	
IPARM FILE: p10c226xs100.i	