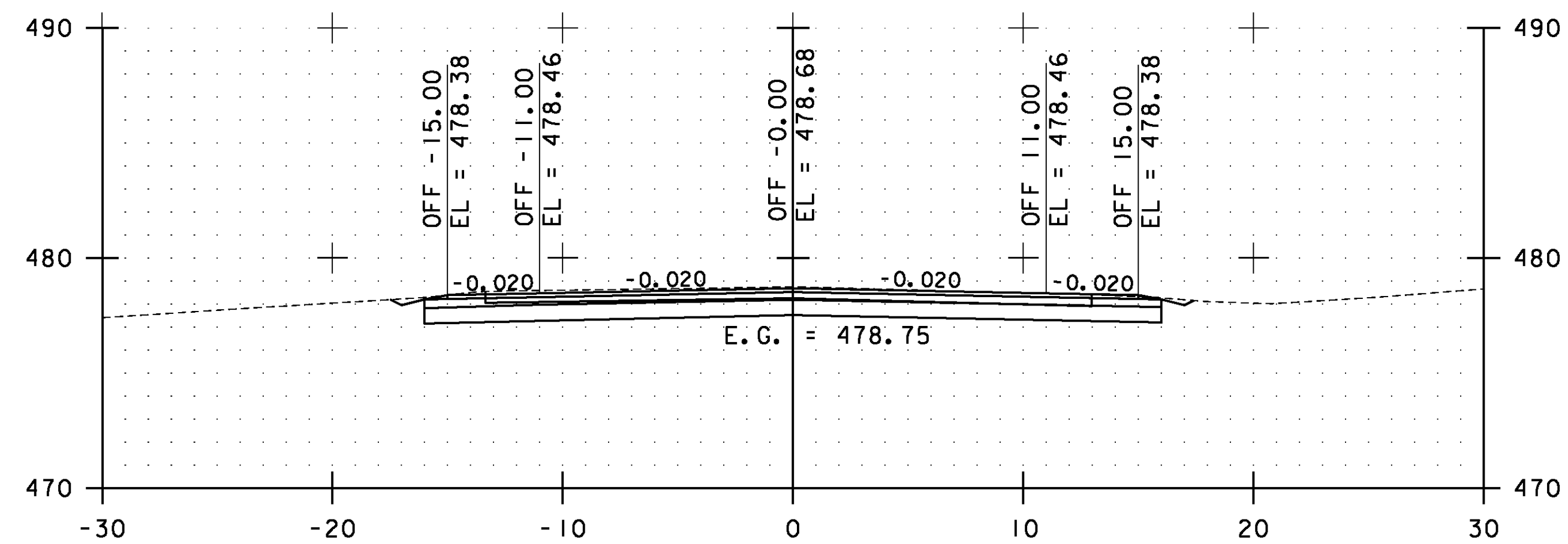
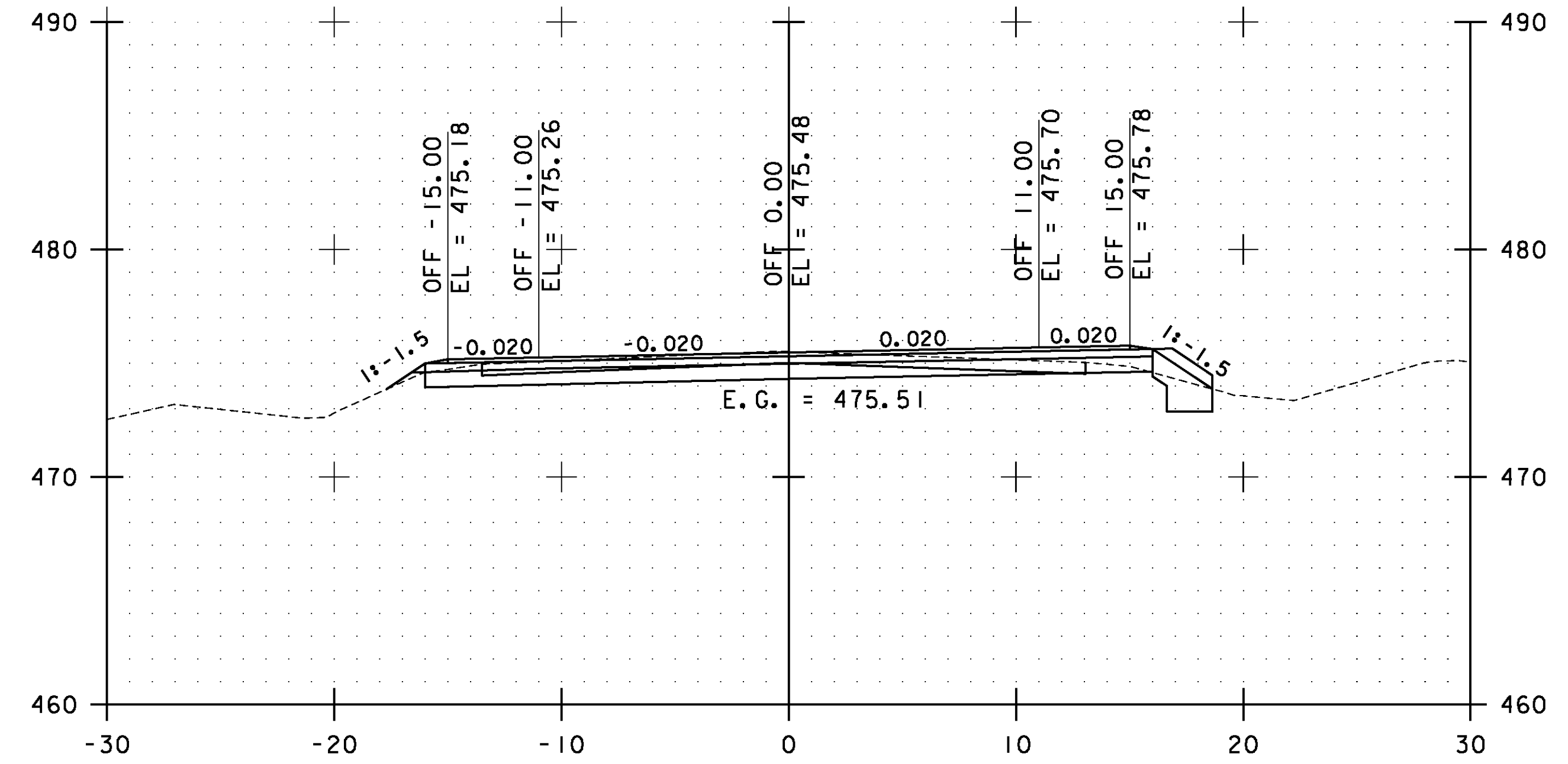


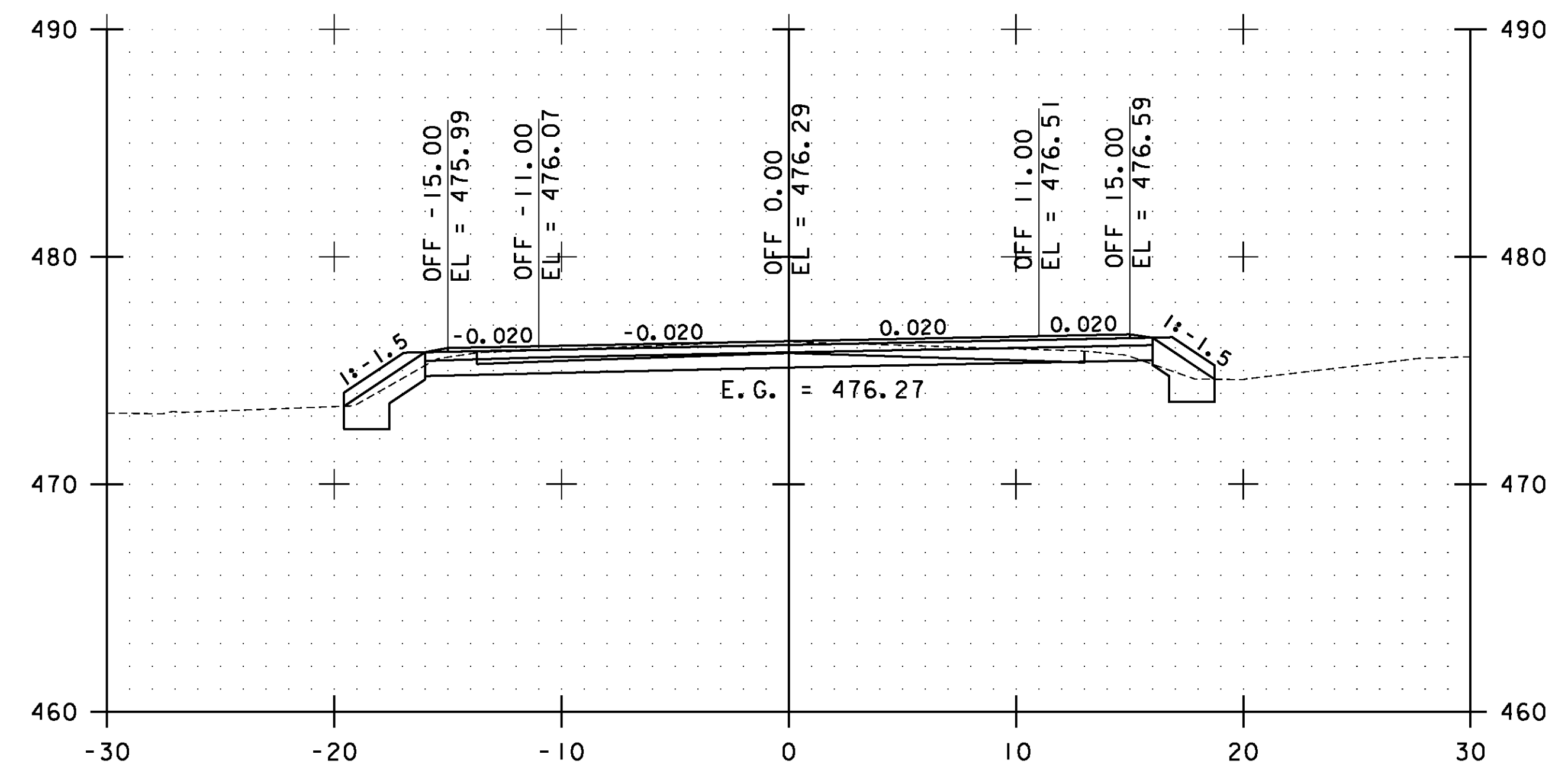
156+00.00



155+50.00

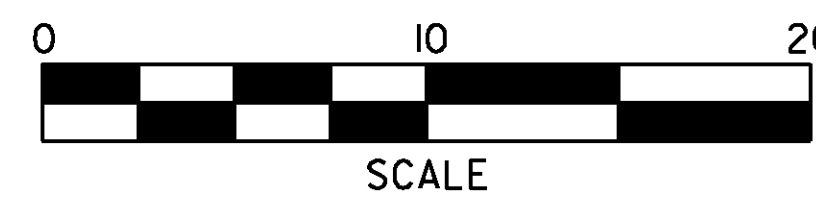


157+00.00



156+50.00

STA. 155+50.00 TO STA. 157+00.00



**ESSEX  
CROSS  
SECTIONS  
SHEET #72**

PROJECT NAME: ESSEX-WESTFORD  
PROJECT NUMBER: STP 2912(I)

FILE NAME: p10c226.dgn  
PROJECT LEADER: JLL  
DESIGNED BY: STANTEC  
IPARM FILE: p10c226xs072.i

PLOT DATE: 2/20/2013  
DRAWN BY: STANTEC  
CHECKED BY: STANTEC  
SHEET 163 OF 239