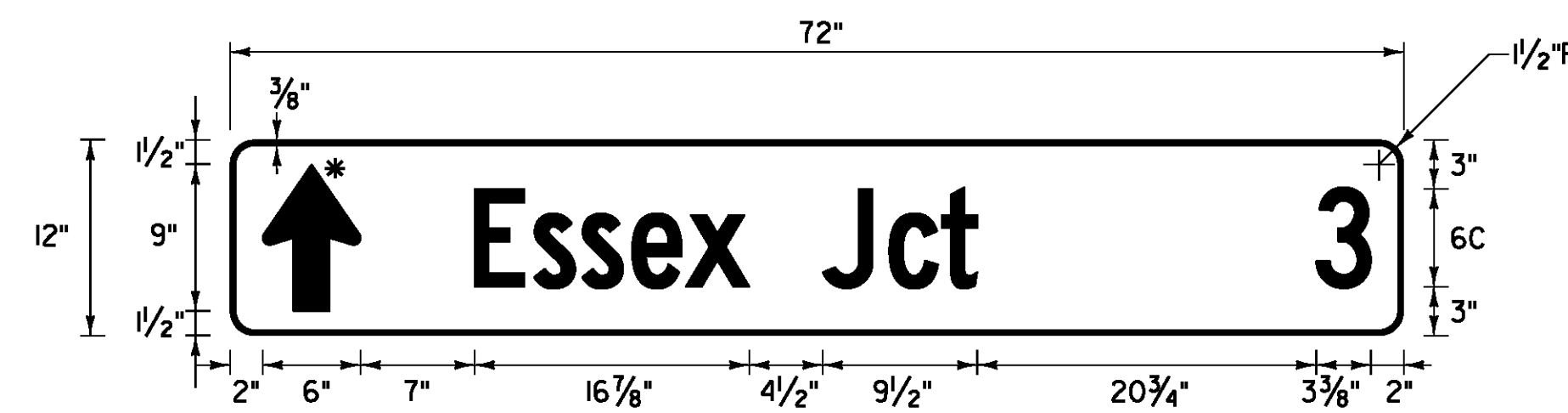


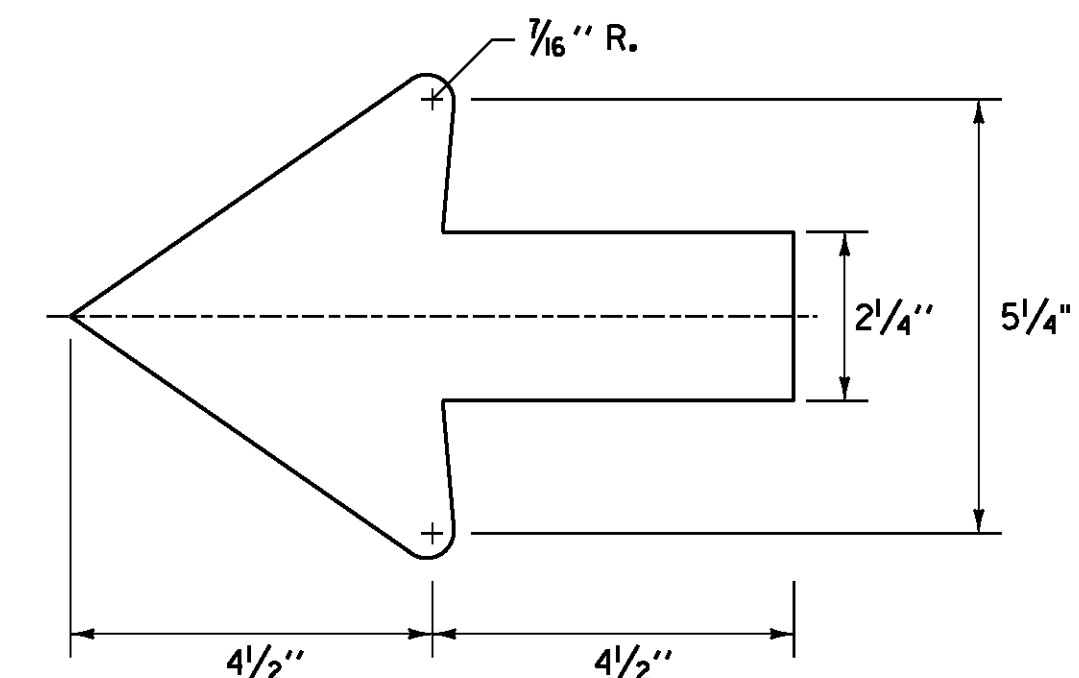
VD1-1a

LOCATION: ESSEX STA. 1+00, RT  
 COLOR: WHITE BORDER AND TEXT (RETROREFLECTIVE)  
 GREEN BACKGROUND (RETROREFLECTIVE)  
 MATERIAL: 0.125" FLAT SHEET ALUMINUM  
 \* FOR ARROW DETAIL SEE THIS SHEET

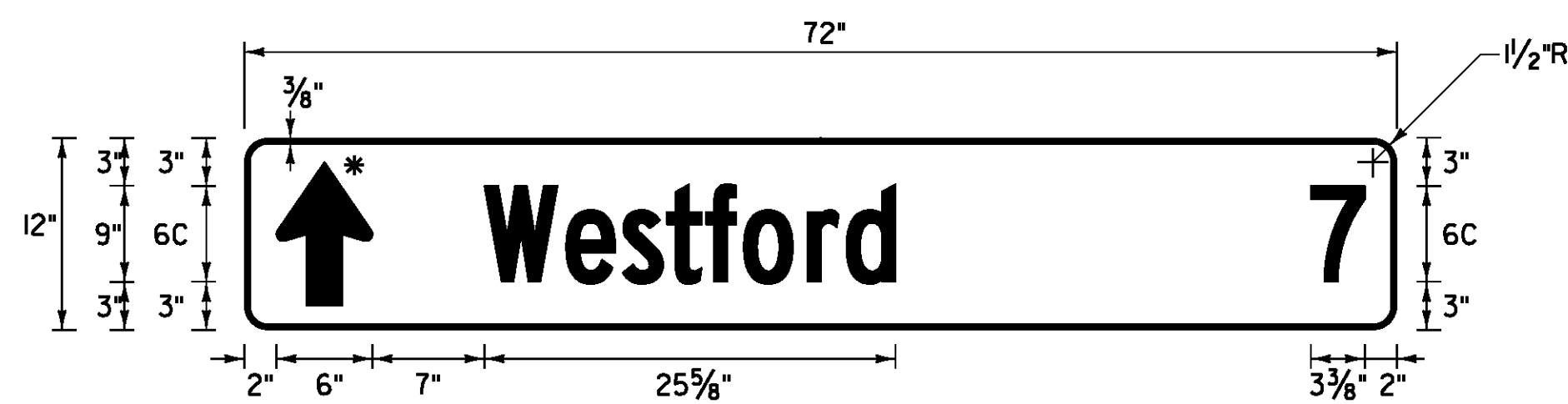


VD1-1a

LOCATION: ESSEX STA. 3+00, LT  
 COLOR: WHITE BORDER AND TEXT (RETROREFLECTIVE)  
 GREEN BACKGROUND (RETROREFLECTIVE)  
 MATERIAL: 0.125" FLAT SHEET ALUMINUM  
 \* FOR ARROW DETAIL SEE THIS SHEET

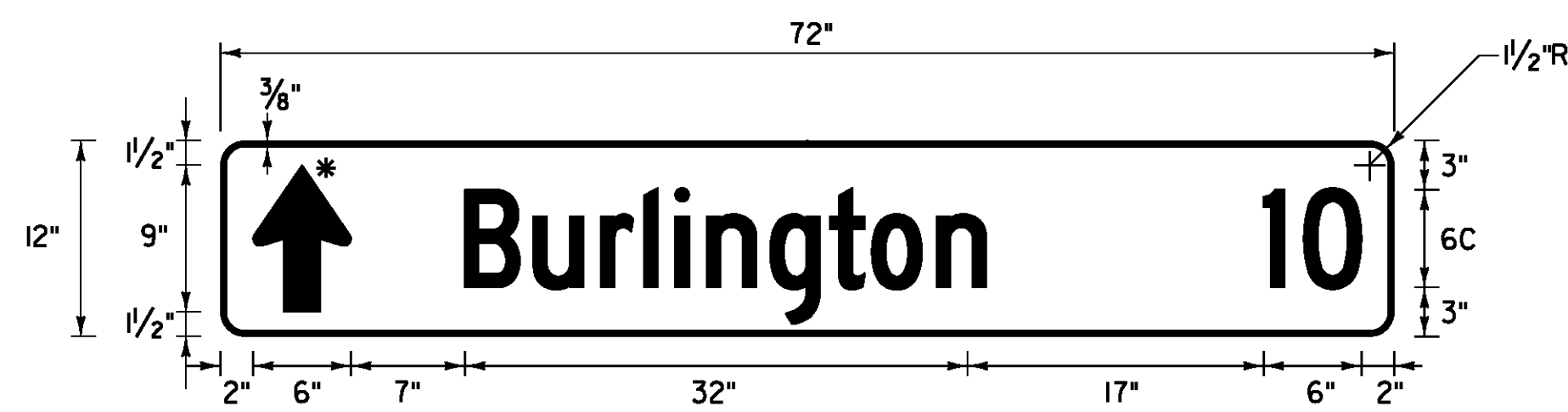


STANDARD SHSM 2.25" ARROW



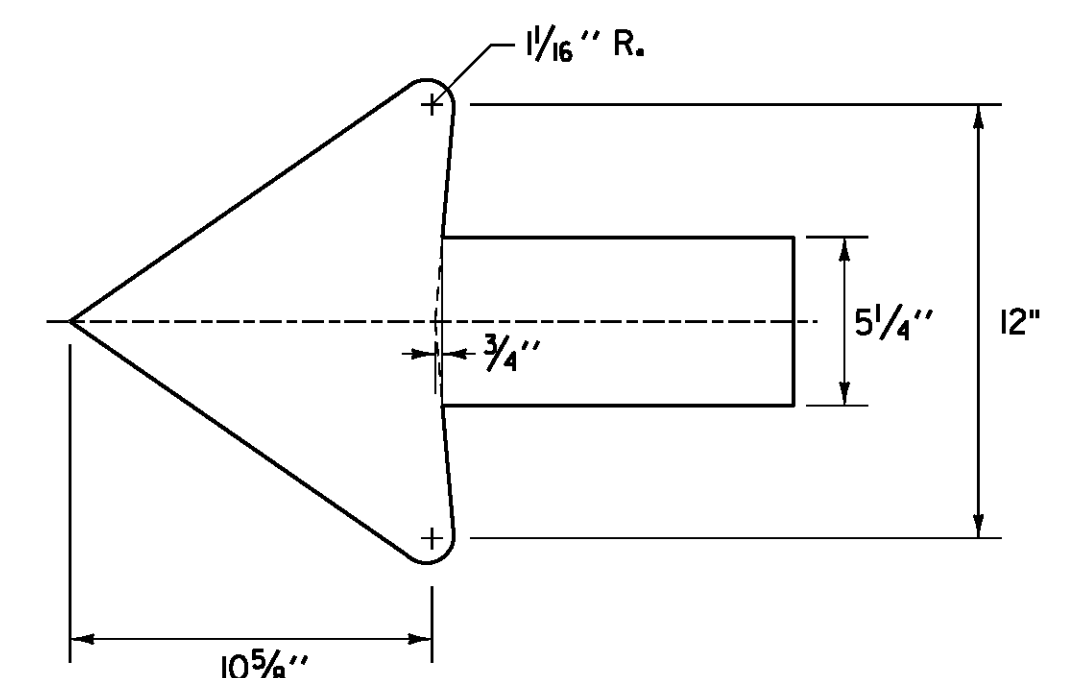
VD1-1a

LOCATION: ESSEX STA. 63+50, RT  
 COLOR: WHITE BORDER AND TEXT (RETROREFLECTIVE)  
 GREEN BACKGROUND (RETROREFLECTIVE)  
 MATERIAL: 0.125" FLAT SHEET ALUMINUM  
 \* FOR ARROW DETAIL SEE THIS SHEET

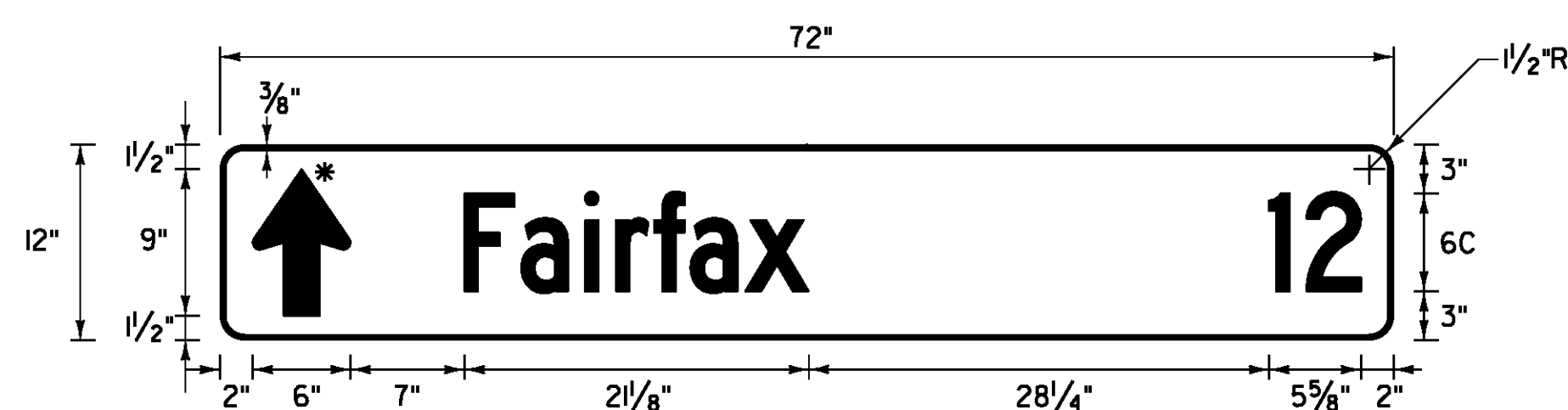


VD1-1a

LOCATION: ESSEX STA. 3+00, LT  
 COLOR: WHITE BORDER AND TEXT (RETROREFLECTIVE)  
 GREEN BACKGROUND (RETROREFLECTIVE)  
 MATERIAL: 0.125" FLAT SHEET ALUMINUM  
 \* FOR ARROW DETAIL SEE THIS SHEET

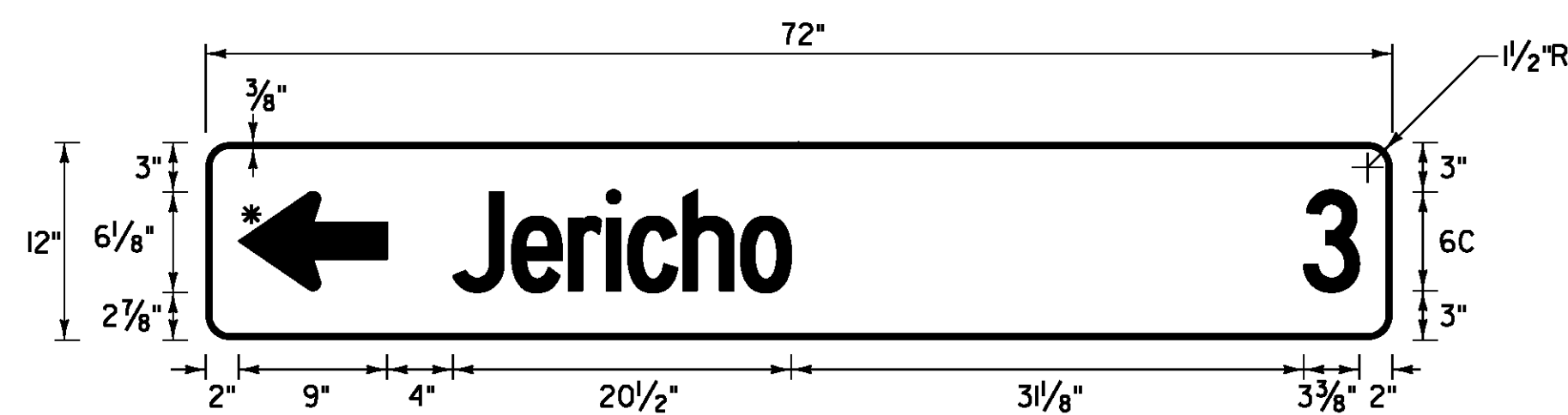


STANDARD SHSM 5.25" ARROW



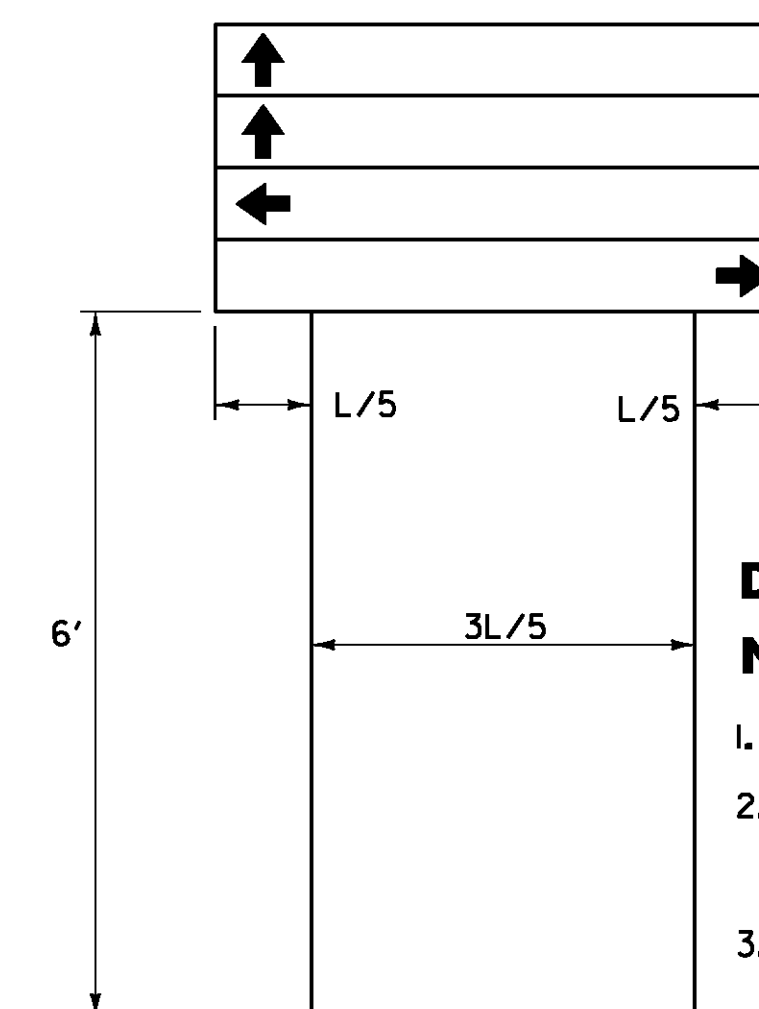
VD1-1a

LOCATION: ESSEX STA. 1+00, RT  
 COLOR: WHITE BORDER AND TEXT (RETROREFLECTIVE)  
 GREEN BACKGROUND (RETROREFLECTIVE)  
 MATERIAL: 0.125" FLAT SHEET ALUMINUM  
 \* FOR ARROW DETAIL SEE THIS SHEET



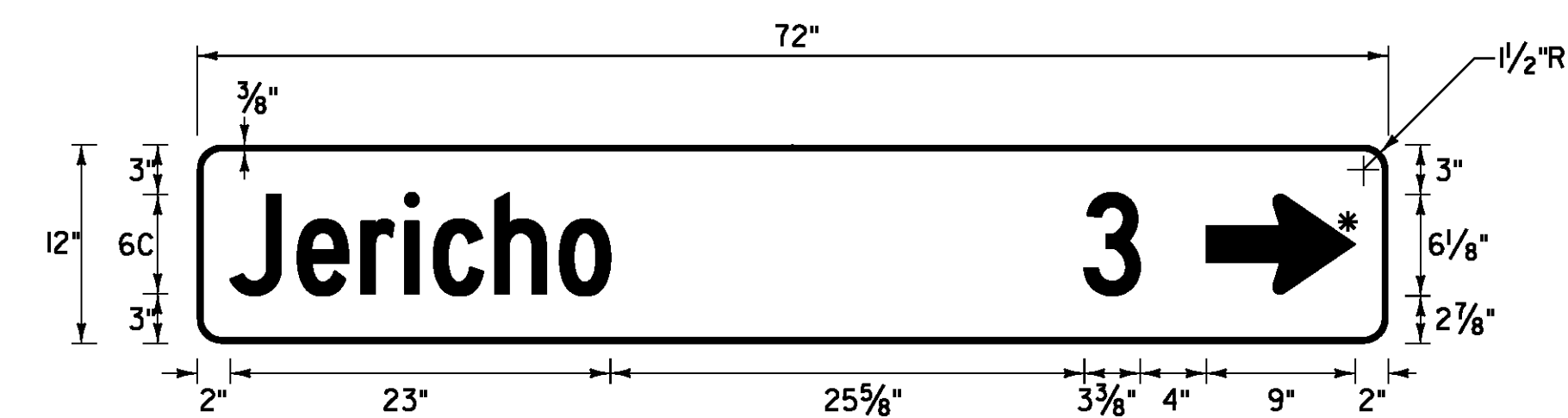
VD1-1a

LOCATION: ESSEX STA. 3+00, LT  
 COLOR: WHITE BORDER AND TEXT (RETROREFLECTIVE)  
 GREEN BACKGROUND (RETROREFLECTIVE)  
 MATERIAL: 0.125" FLAT SHEET ALUMINUM  
 \* FOR ARROW DETAIL SEE THIS SHEET



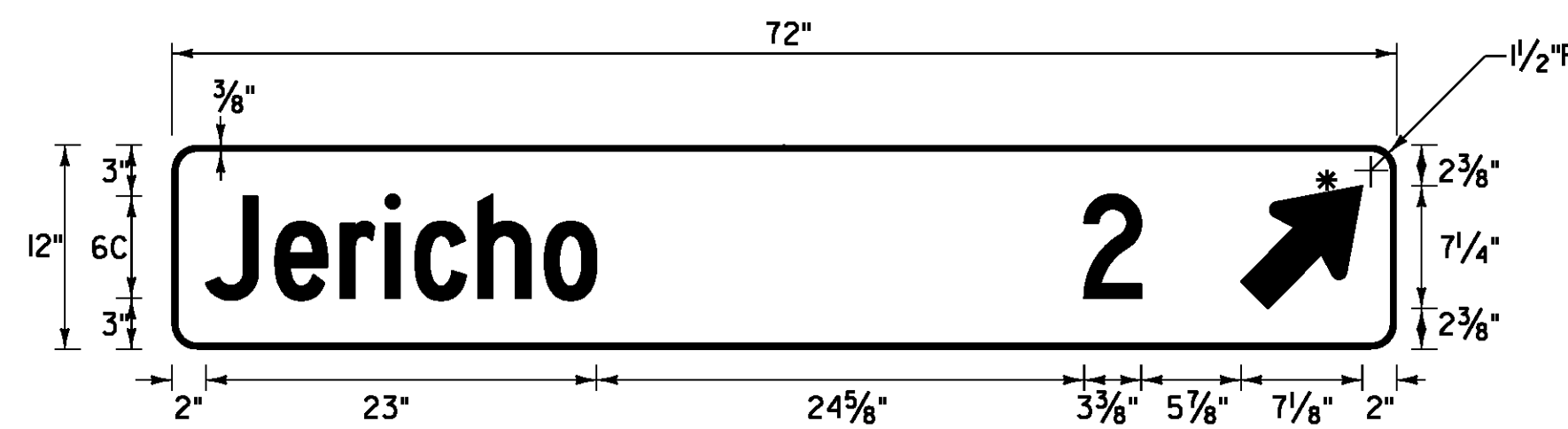
**DESTINATION ASSEMBLY NOTES:**

- SEQUENCE OF ARROWS AS SHOWN.
- LIMIT TO 2 SIGNS IN EACH DIRECTION, UNLESS OTHERWISE NOTED.
- L = LENGTH OF SIGN



VD1-1a

LOCATION: ESSEX STA. 1+00, RT  
 COLOR: WHITE BORDER AND TEXT (RETROREFLECTIVE)  
 GREEN BACKGROUND (RETROREFLECTIVE)  
 MATERIAL: 0.125" FLAT SHEET ALUMINUM  
 \* FOR ARROW DETAIL SEE THIS SHEET



VD1-1a

LOCATION: ESSEX STA. 63+50, RT  
 COLOR: WHITE BORDER AND TEXT (RETROREFLECTIVE)  
 GREEN BACKGROUND (RETROREFLECTIVE)  
 MATERIAL: 0.125" FLAT SHEET ALUMINUM  
 \* FOR ARROW DETAIL SEE THIS SHEET

NOT TO SCALE

**TRAFFIC SIGN DETAIL SHEET #1**

PROJECT NAME: ESSEX-WESTFORD  
 PROJECT NUMBER: STP 2912(I)

FILE NAME: p10c226.dgn  
 PROJECT LEADER: JLL  
 DESIGNED BY: STANTEC  
 IPARM FILE: p10c226tsd01.i

PLOT DATE: 2/20/2013  
 DRAWN BY: STANTEC  
 CHECKED BY: STANTEC  
 SHEET 66 OF 239

