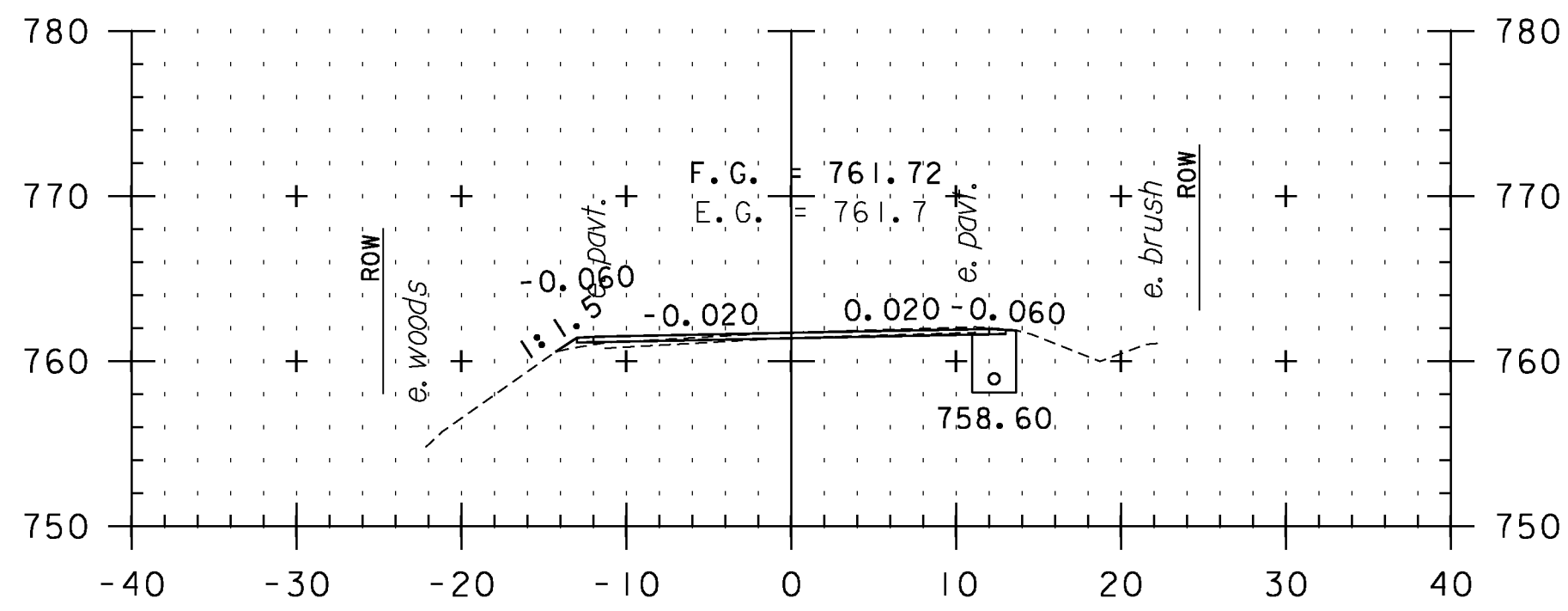
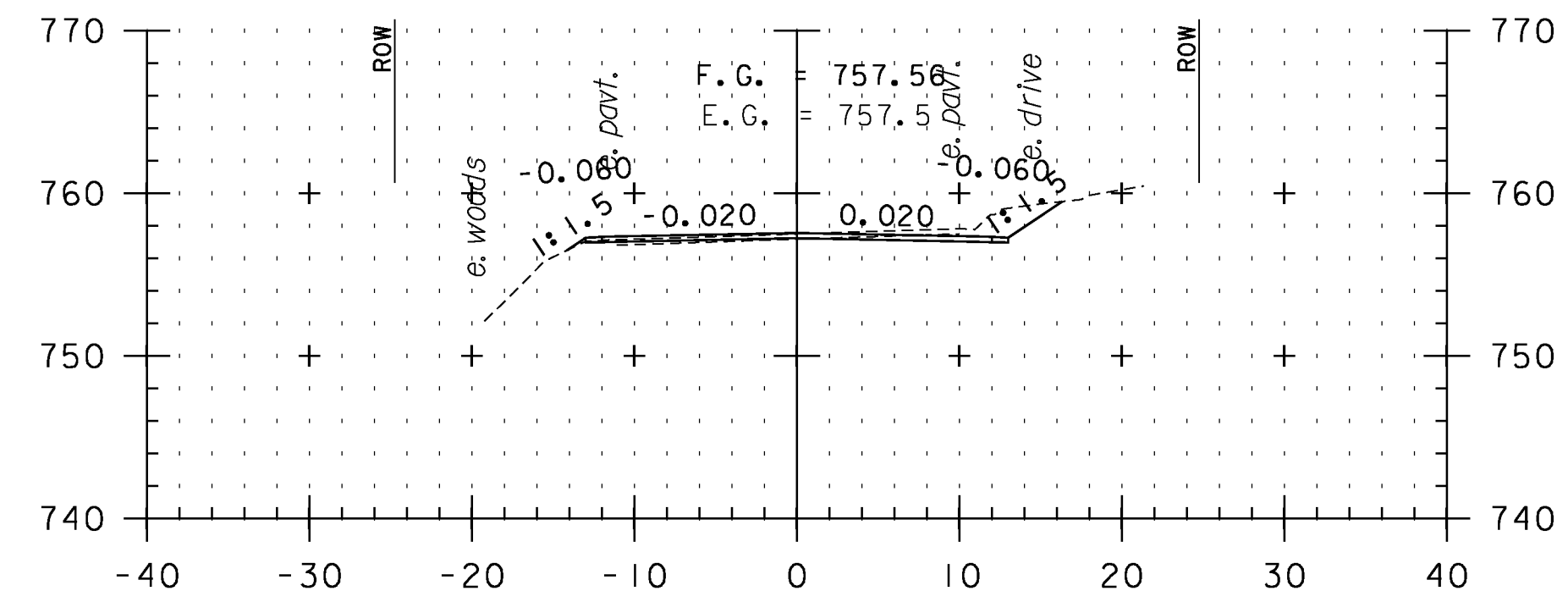


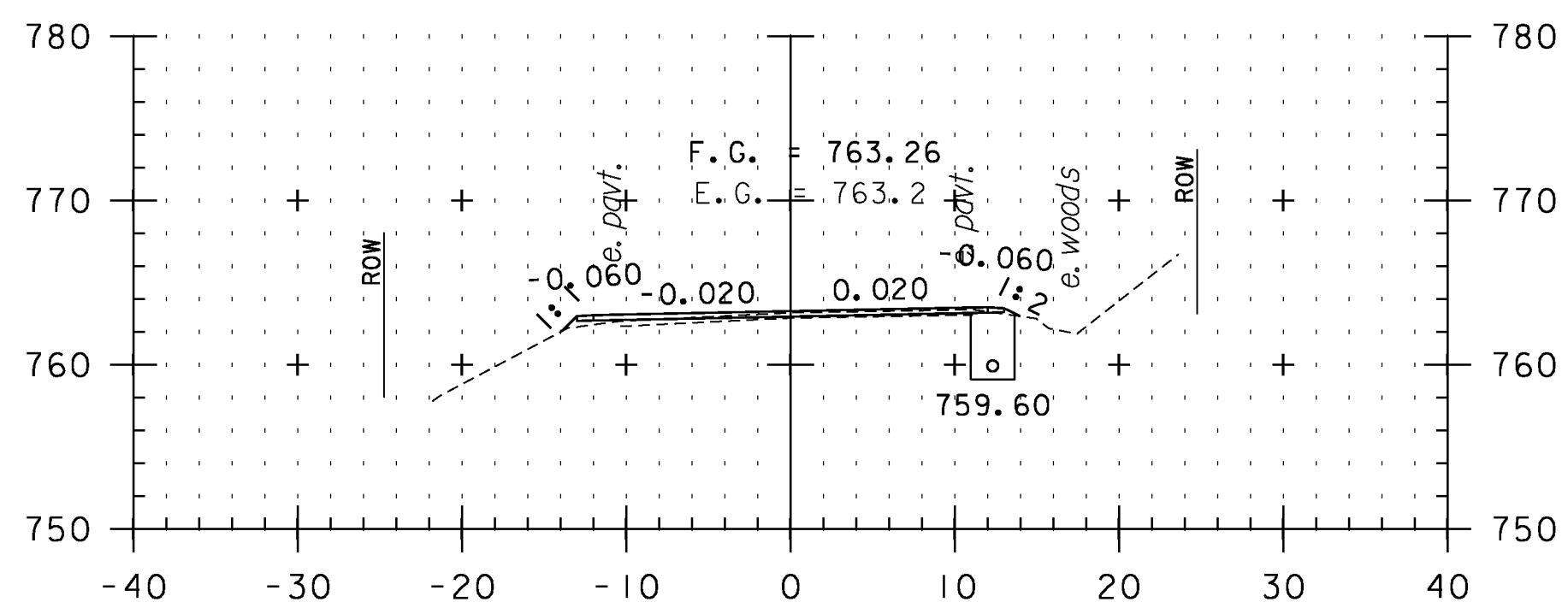
F82+00



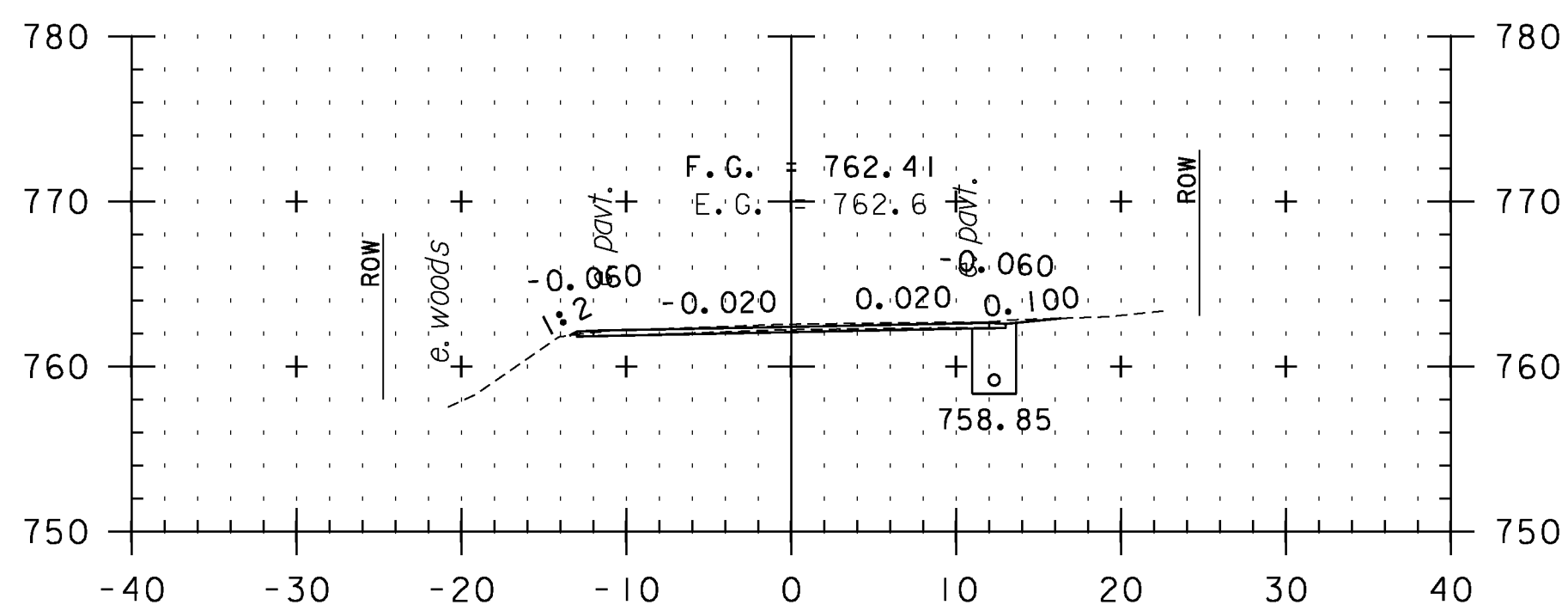
F83+50



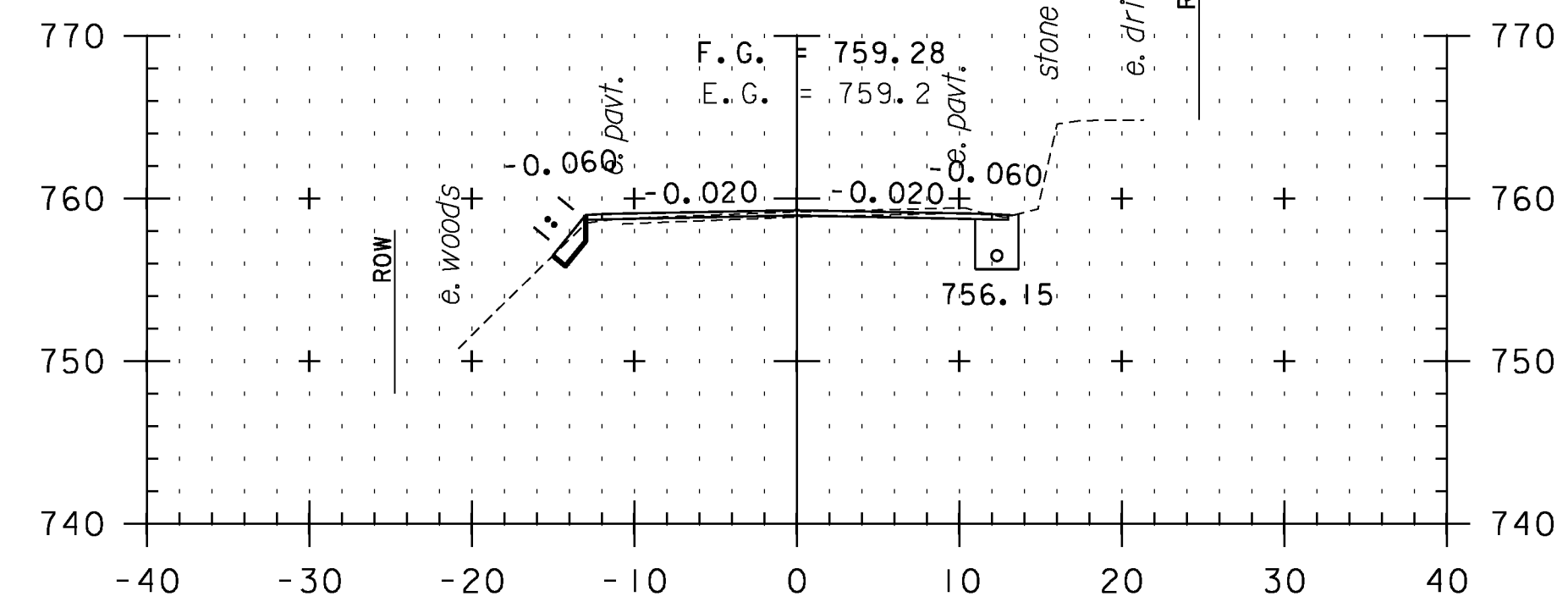
F85+00



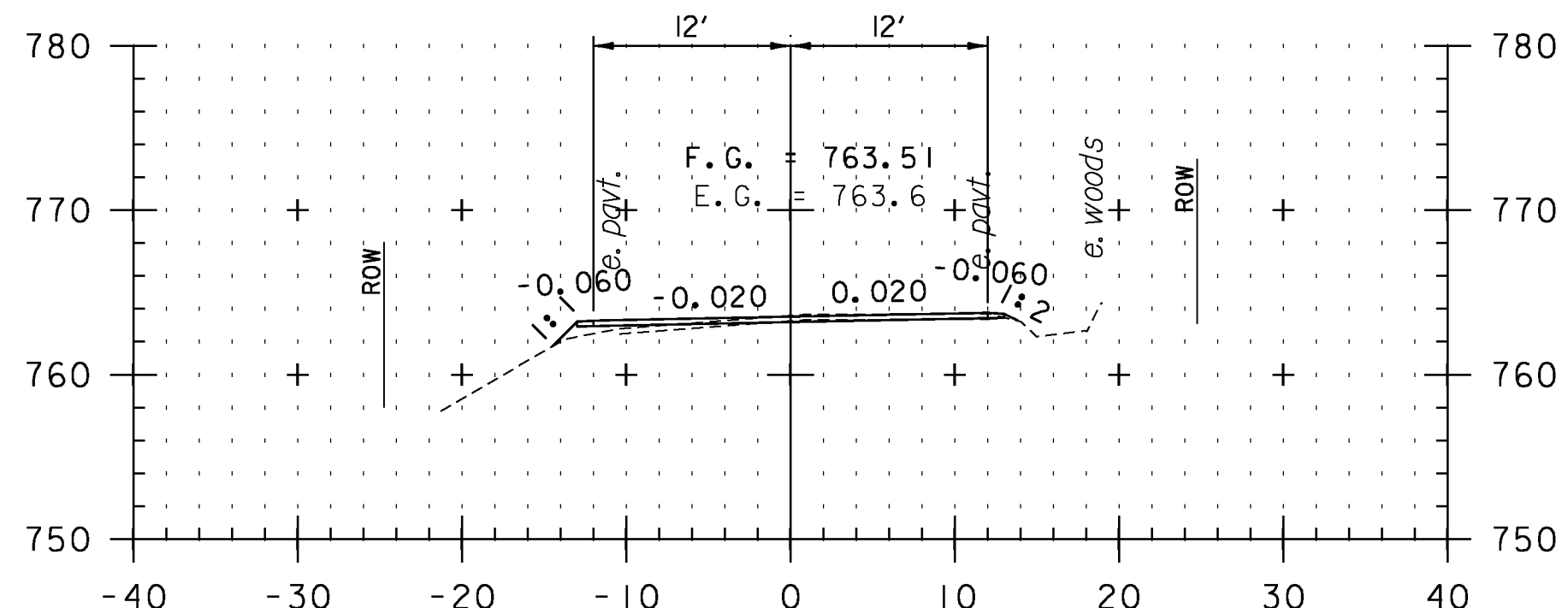
F81+50



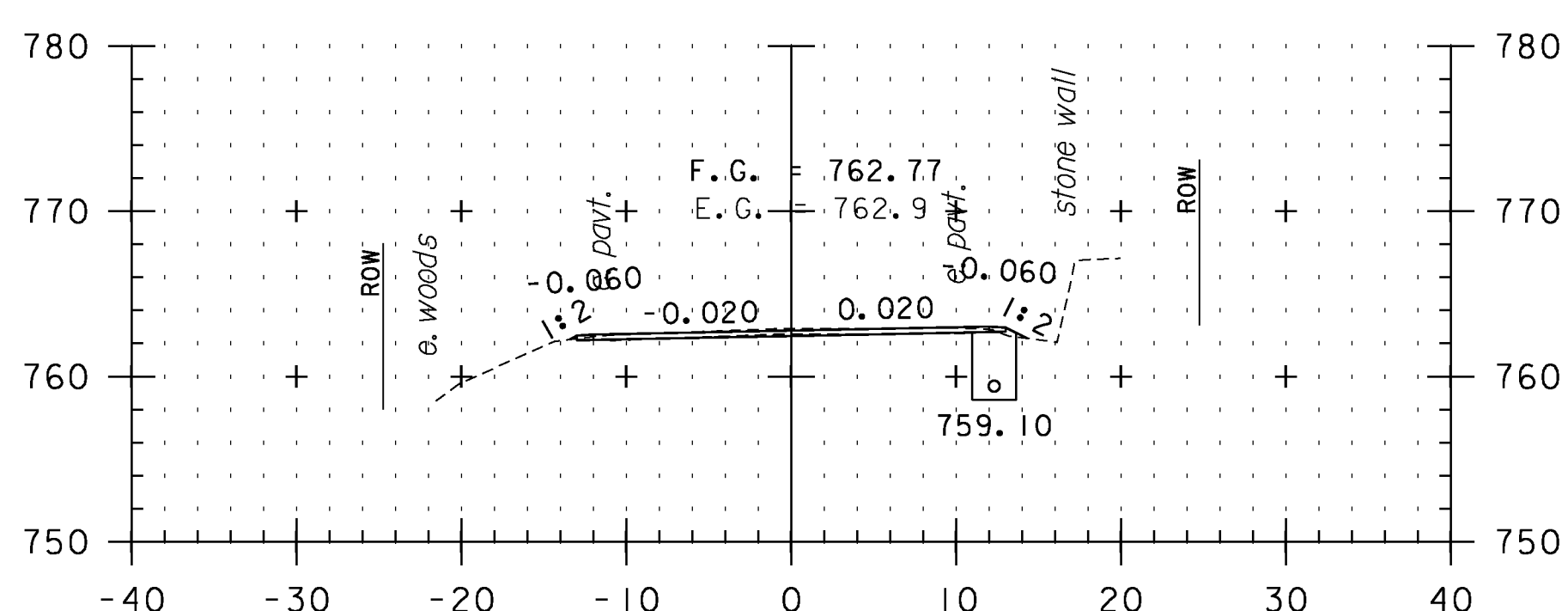
F83+00



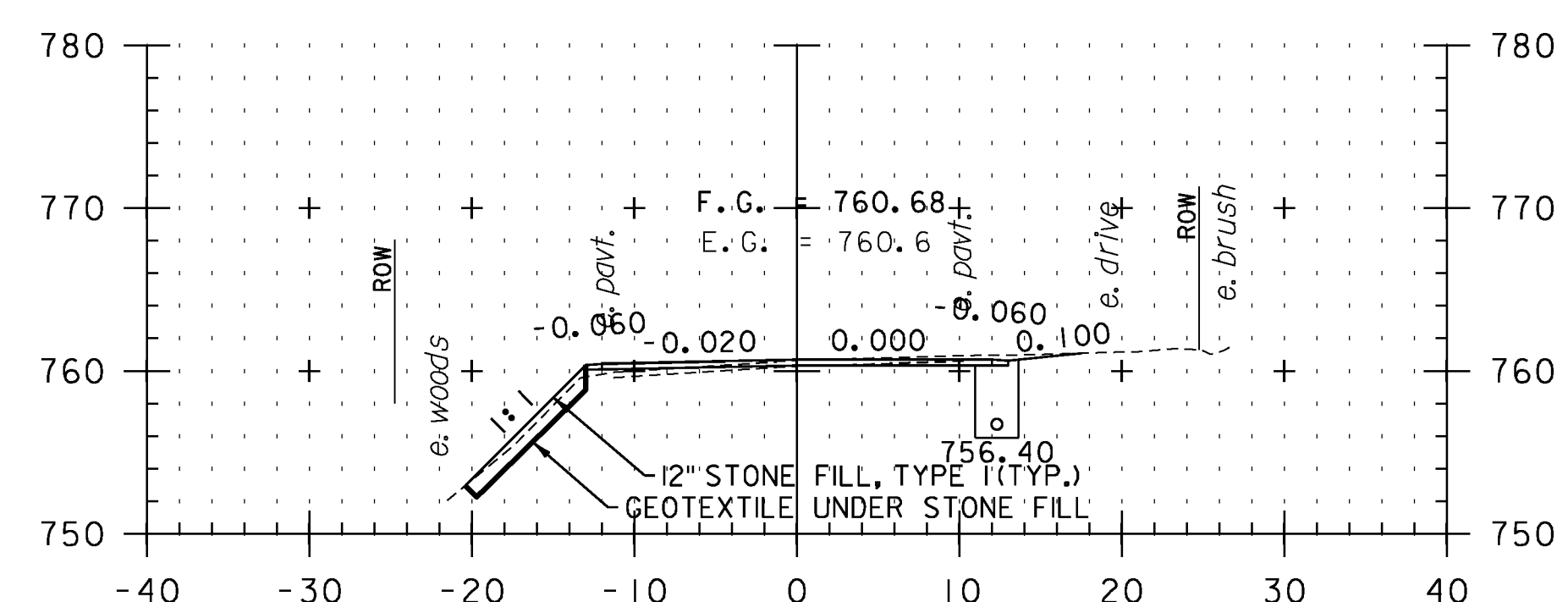
F84+50



F81+00



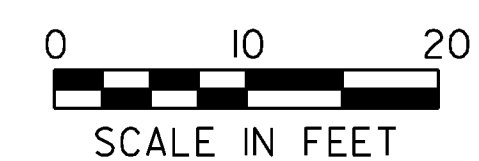
F82+50



F84+00

CROSS SECTION SHEET 71

STA. F81+00 TO STA. F85+00



PROJECT NAME: VERSHIRE-THETFORD	PLOT DATE: 1/29/2013
PROJECT NUMBER: STP 2911(I)	DRAWN BY: SNG
FILE NAME: pl0c224.dgn	CHECKED BY: PTS
PROJECT LEADER: PTS	SHEET 179 OF 232
DESIGNED BY: NULL	
IPARM FILE NAME: IOC224_179	