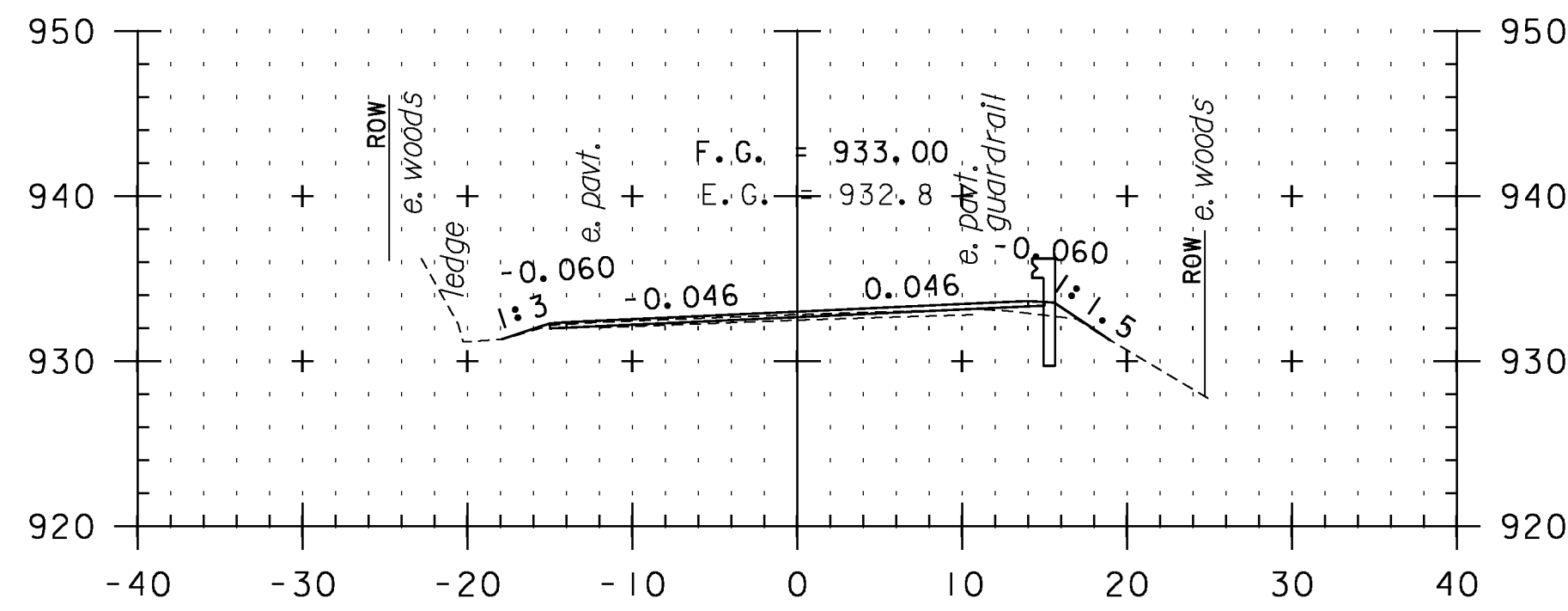
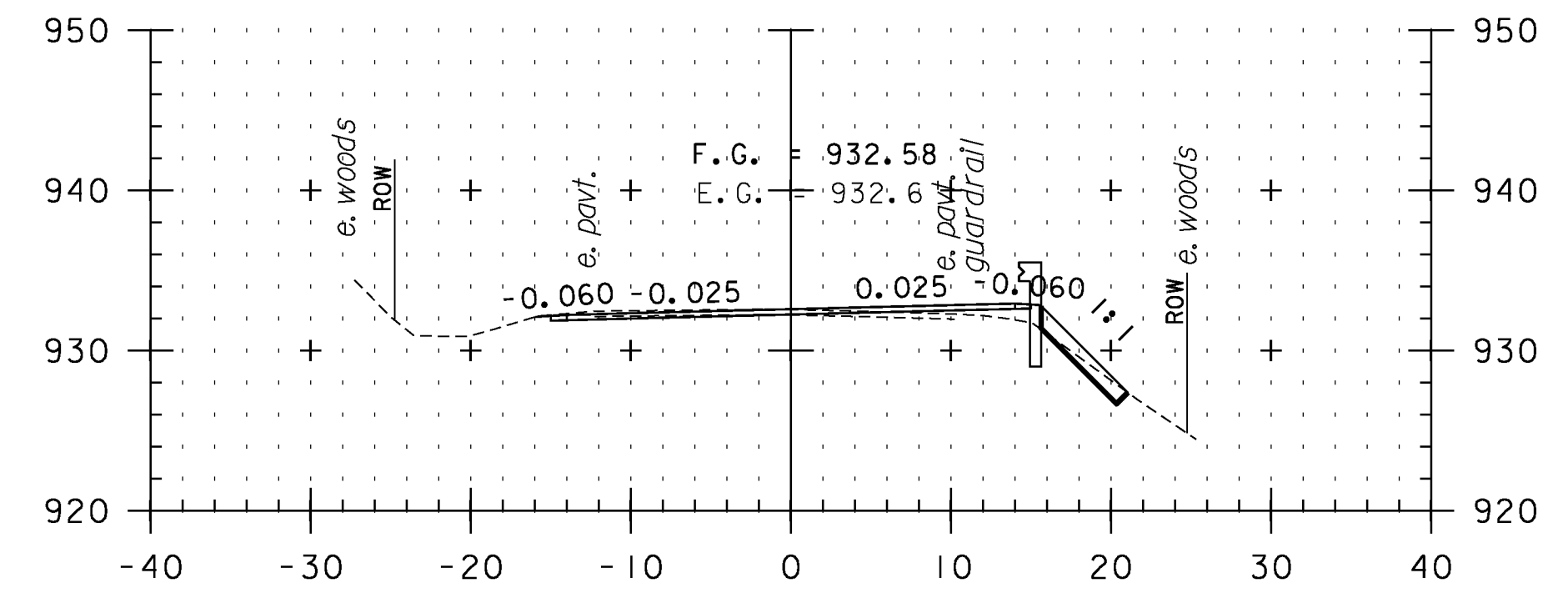


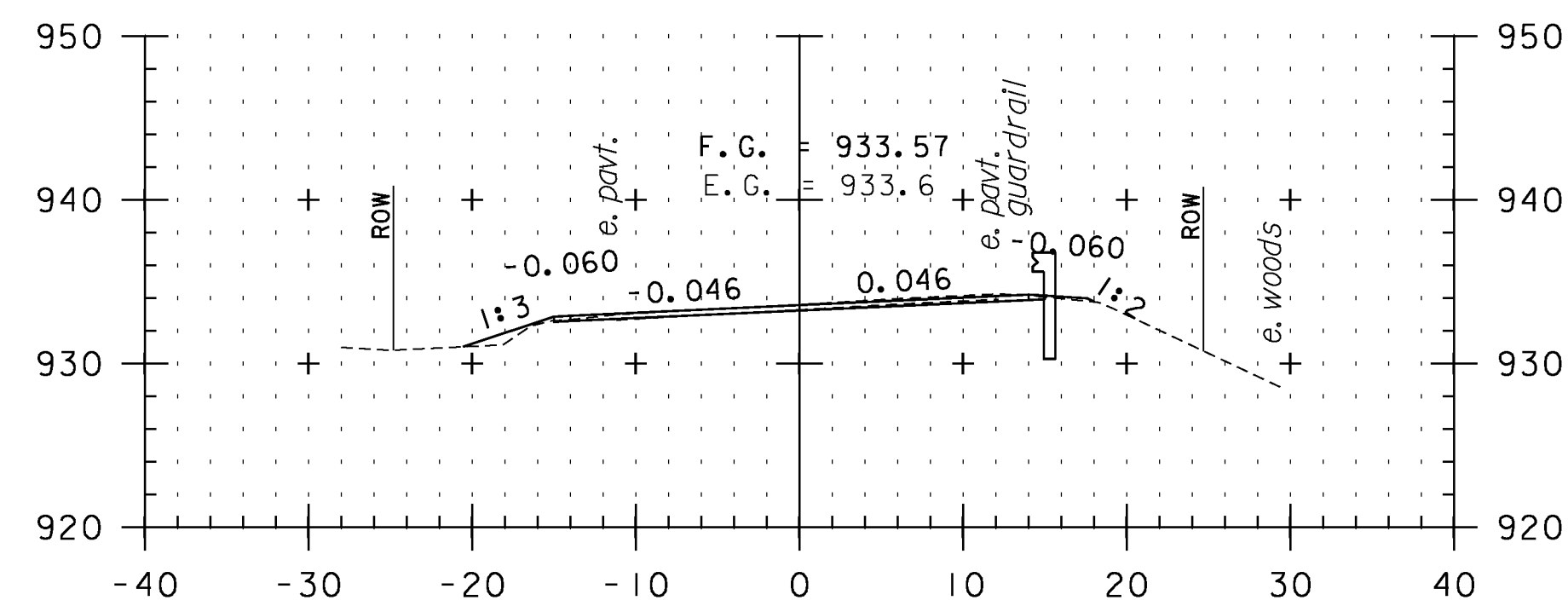
302+50



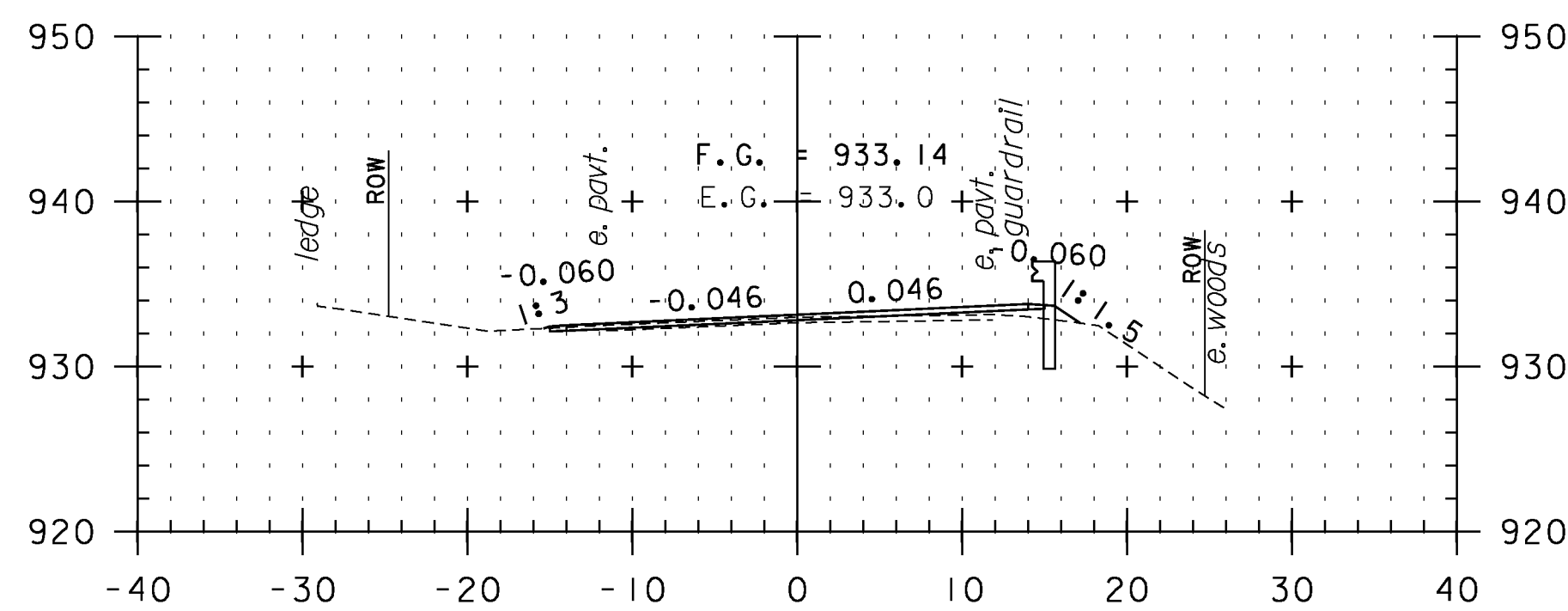
304+00



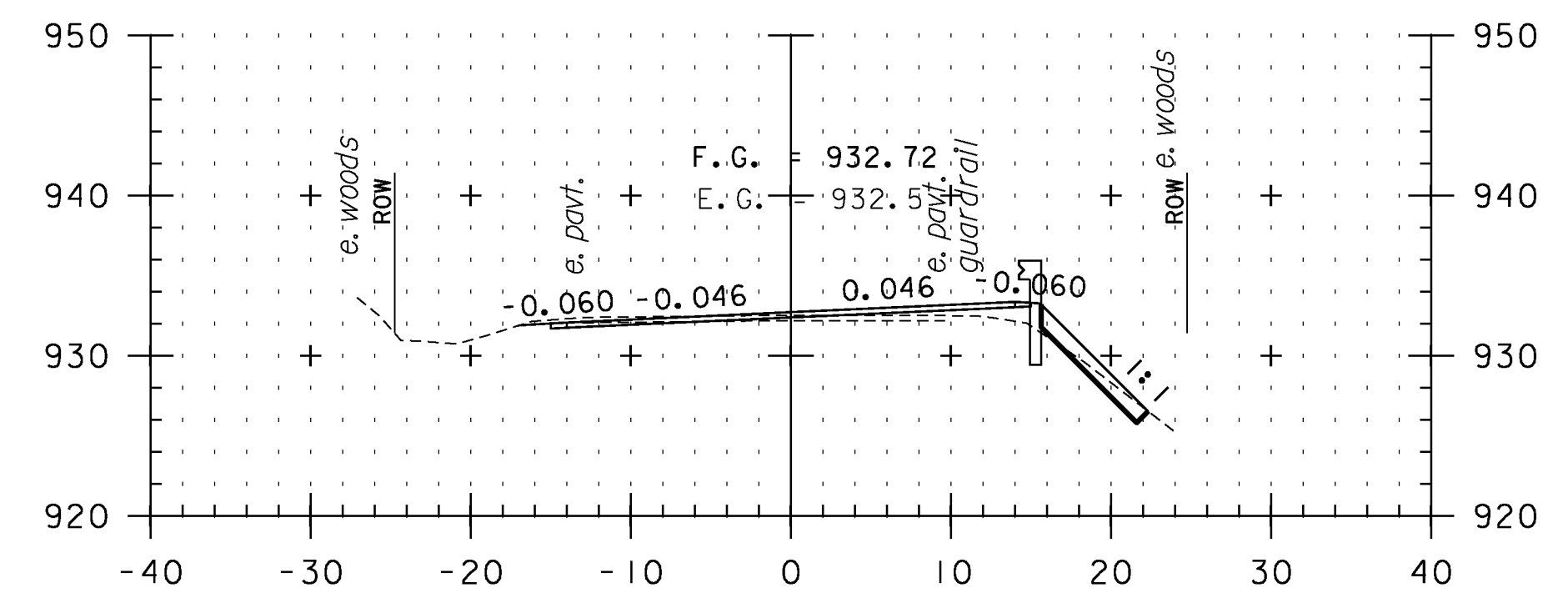
305+50



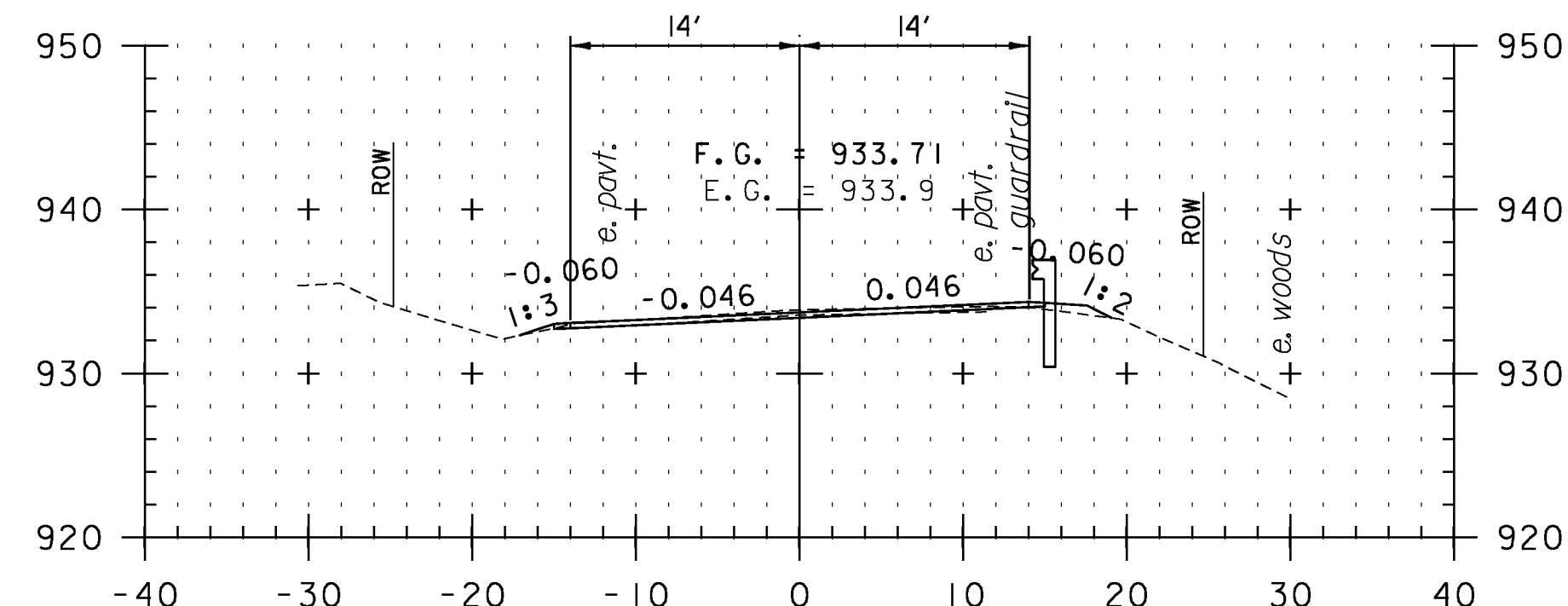
302+00



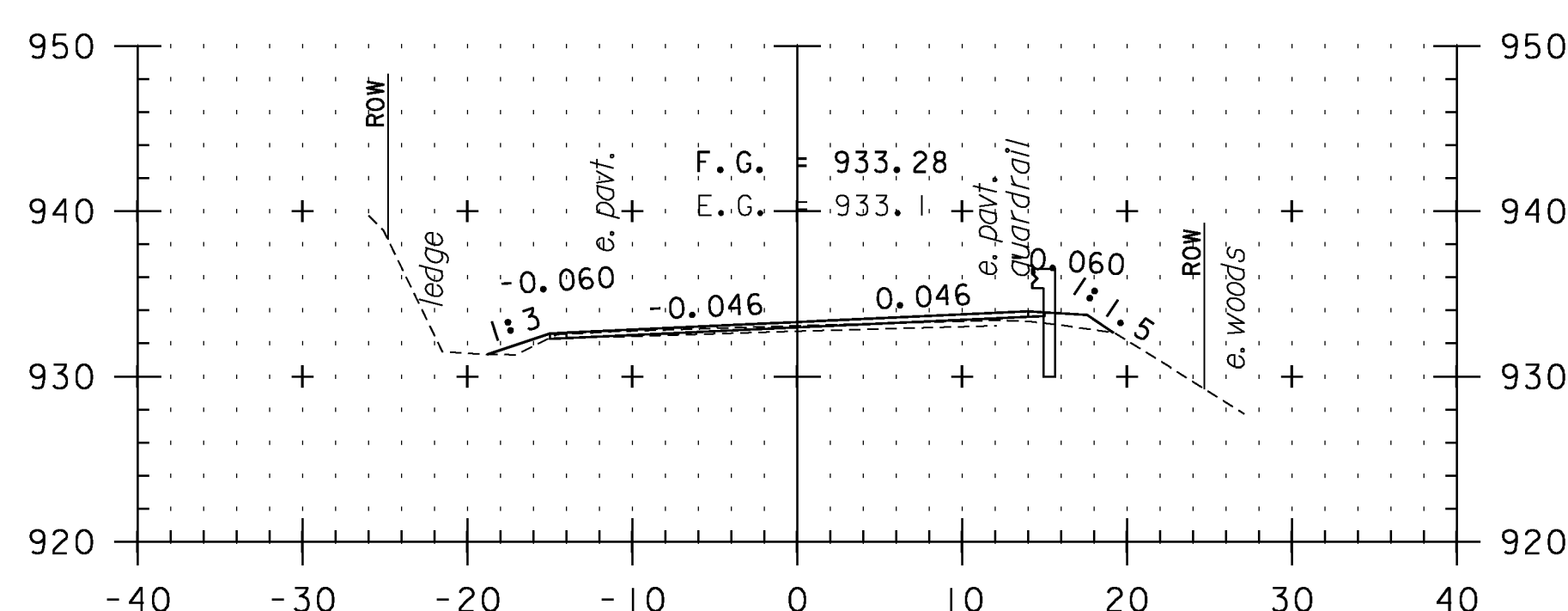
303+50



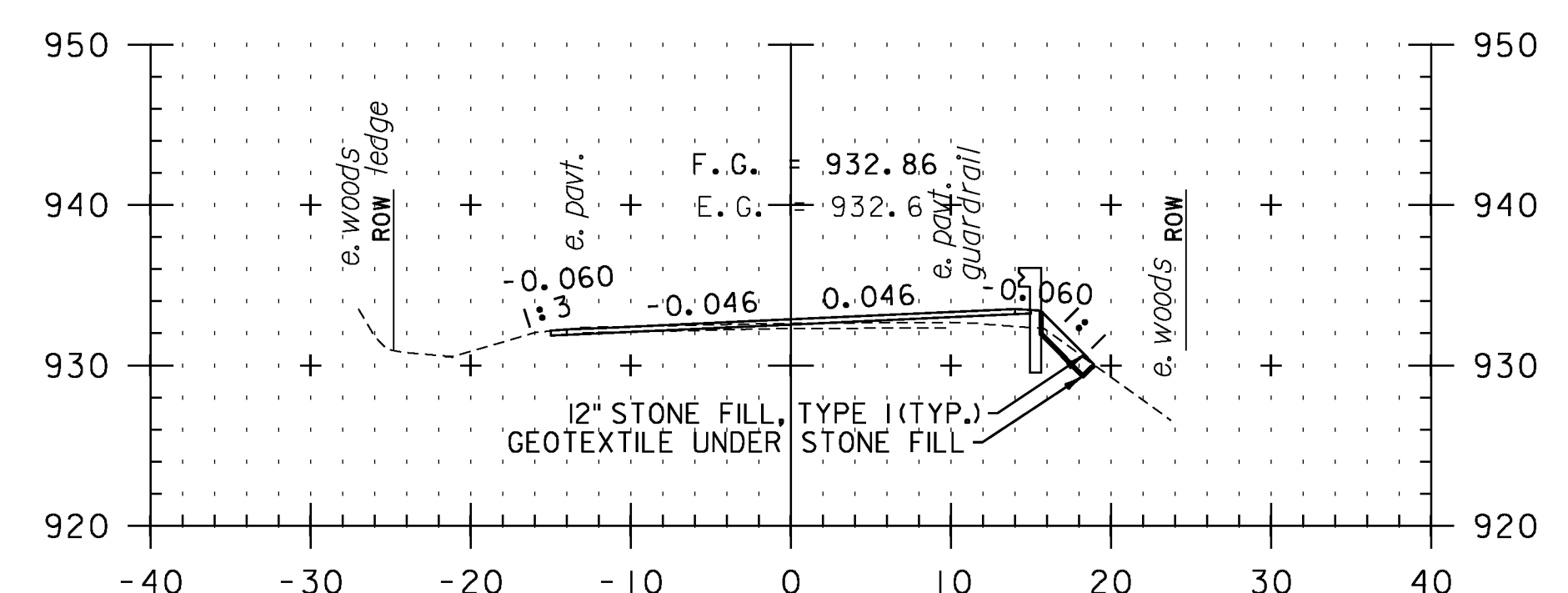
305+00



301+50



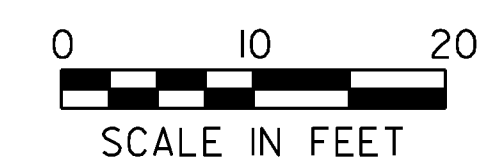
303+00



304+50

CROSS SECTION SHEET 28

STA. 301+50 TO STA. 305+50



PROJECT NAME: VERSHIRE-THETFORD	PLOT DATE: 1/29/2013
PROJECT NUMBER: STP 2911(I)	DRAWN BY: SNG
FILE NAME: pl0c224.dgn	CHECKED BY: PTS
PROJECT LEADER: PTS	SHEET 136 OF 232
DESIGNED BY: NLL	
IPARM FILE NAME: IOC224_136	