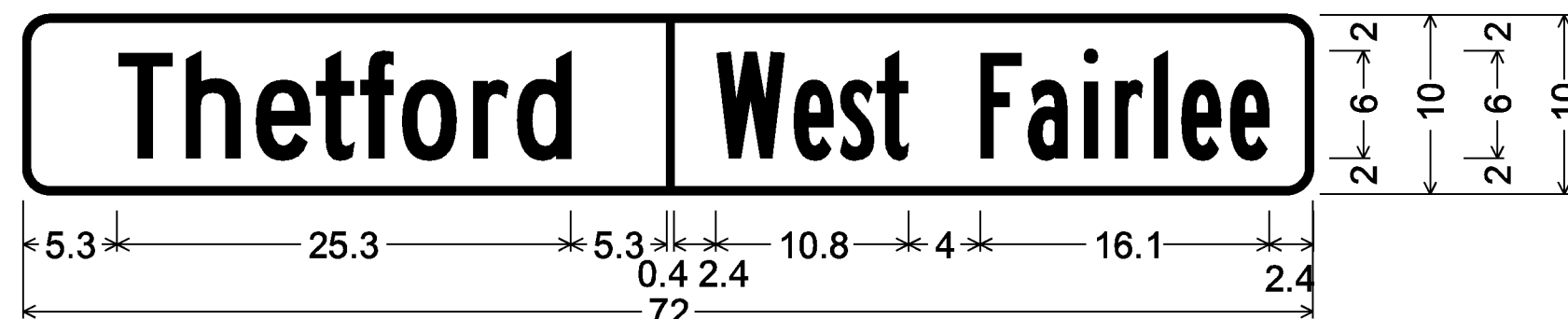
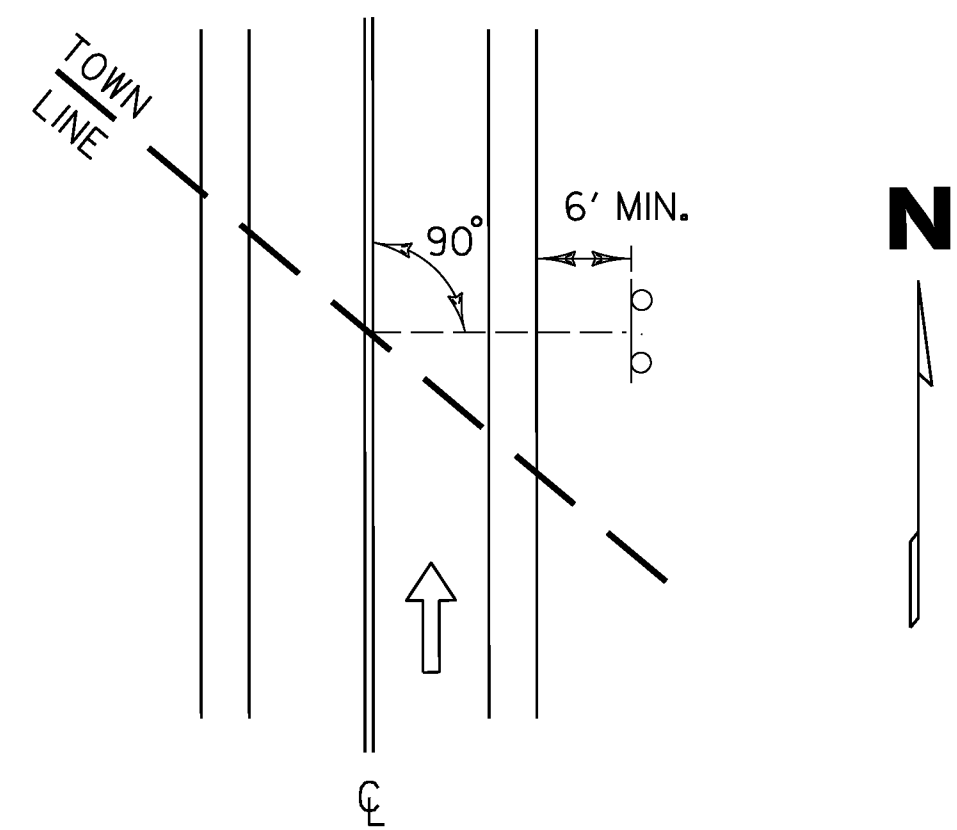
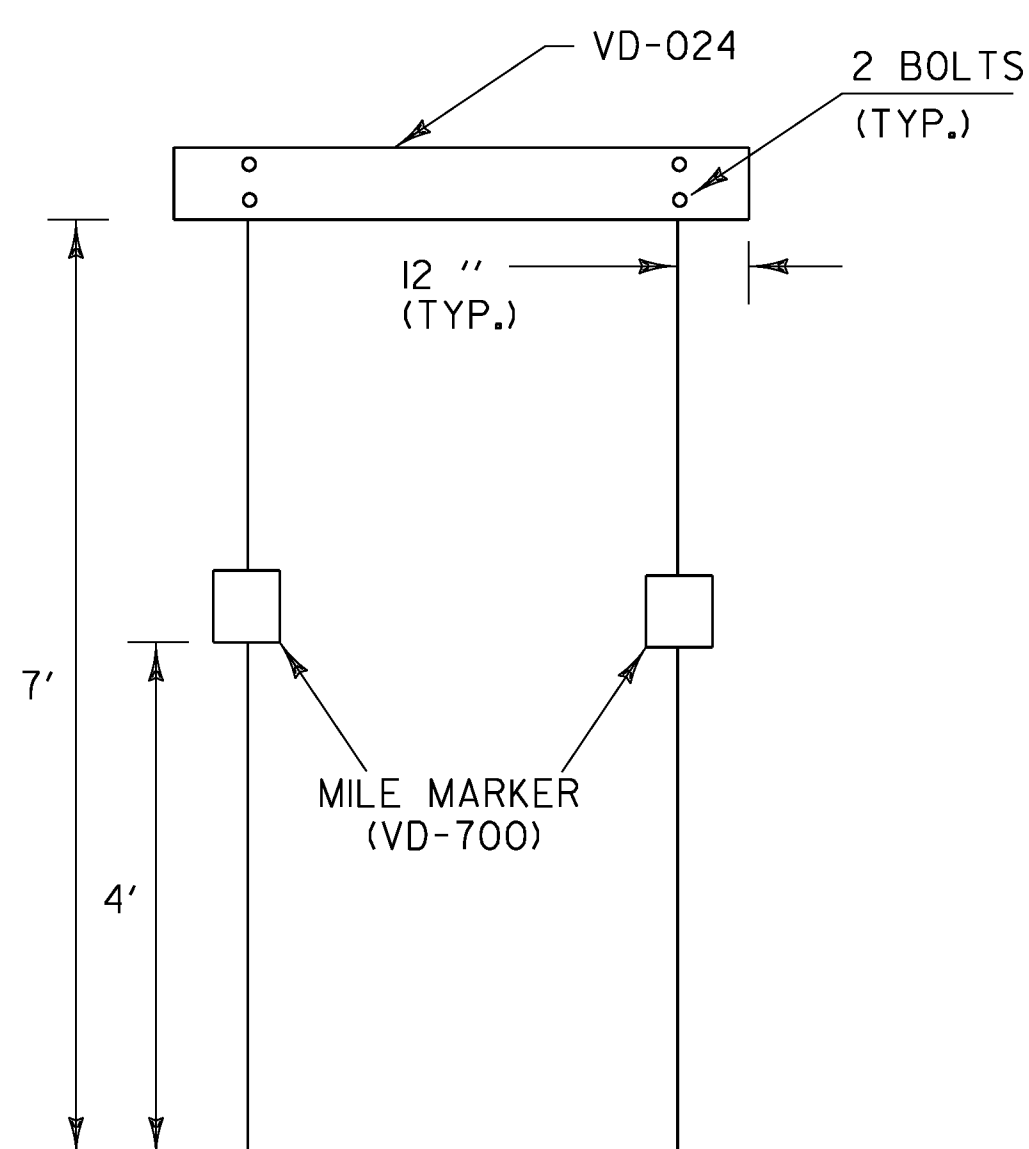


1.5" Radius, 0.4" Border, White on Green;
[West Fairlee] B 2K; [Vershire] C 2K;



1.5" Radius, 0.4" Border, White on Green;
[Thetford] C 2K; [West Fairlee] B 2K

VD-024



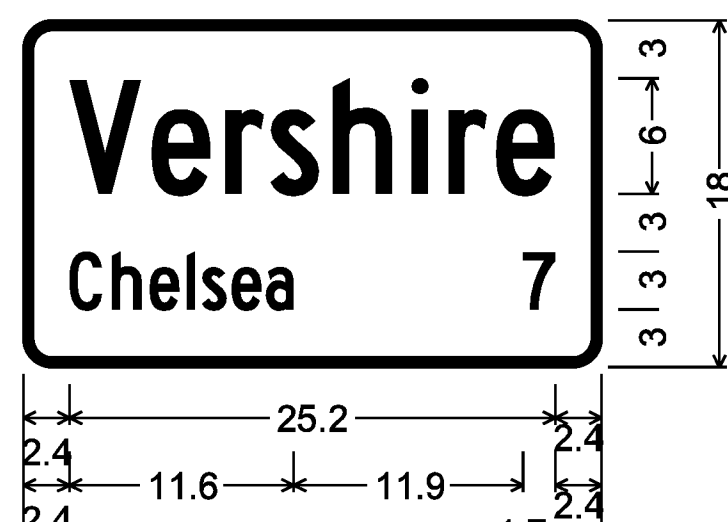
THE SIGN SHALL BE MOUNTED PARALLEL WITH THE ROADWAY, NORMALLY ON RIGHT SIDE TRAVELING WEST TO EAST OR SOUTH TO NORTH.

WHEN CROSSING COUNTY BOUNDARIES AN ADDITIONAL COUNTY LINE SIGN SHALL BE MOUNTED BELOW THE TOWN LINE SIGN MAINTAINING A SEVEN FOOT CLEARANCE.

TOWN LINE SIGN DETAILS

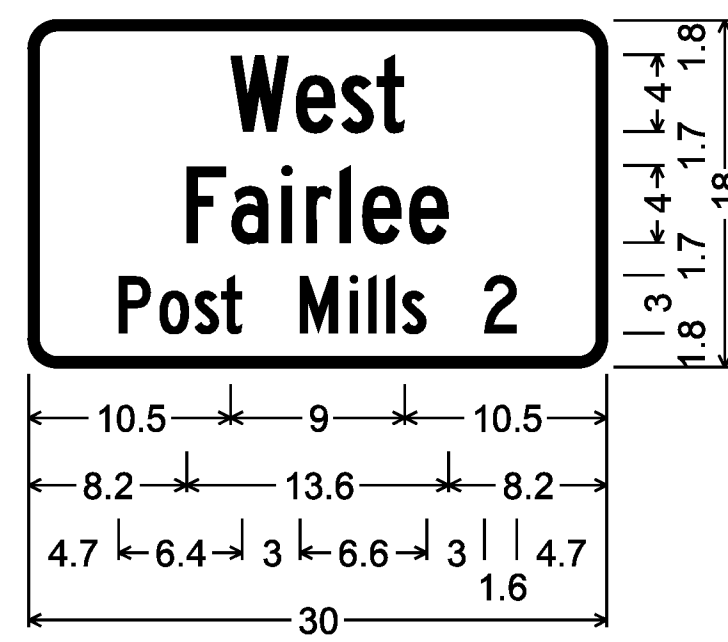
TOWN LINE SIGN NOTES

- WORD TO WORD SPACING FOR MULTIPLE TEXT TOWN NAMES IS ADJUSTABLE TO ACCOMMODATE DIMENSION REQUIREMENTS.
- DIMENSIONS SHOWN ARE APPROXIMATE AND MAY BE ADJUSTED SLIGHTLY TO ACCOMMODATE VARIOUS MANUFACTURER'S LETTER WIDTHS.
- ALL DIMENSIONS ARE IN INCHES EXCEPT WHERE NOTED.
- DIMENSIONS TO THE BOTTOM OF SIGN SHALL BE MEASURED FROM THE EDGE OF TRAVELED WAY.



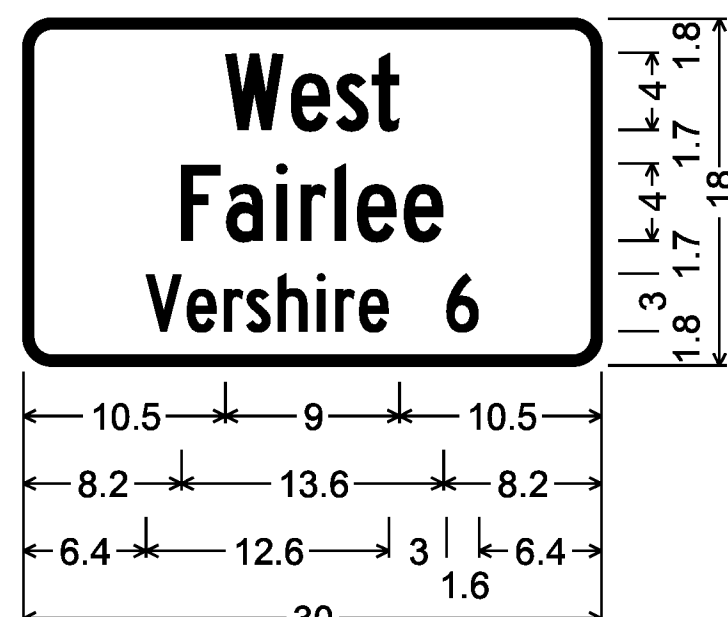
1.5" Radius, 0.5" Border, White on Green;
[Vershire] C 2K;
[Chelsea] C 2K; [7] C 2K;

VD-018



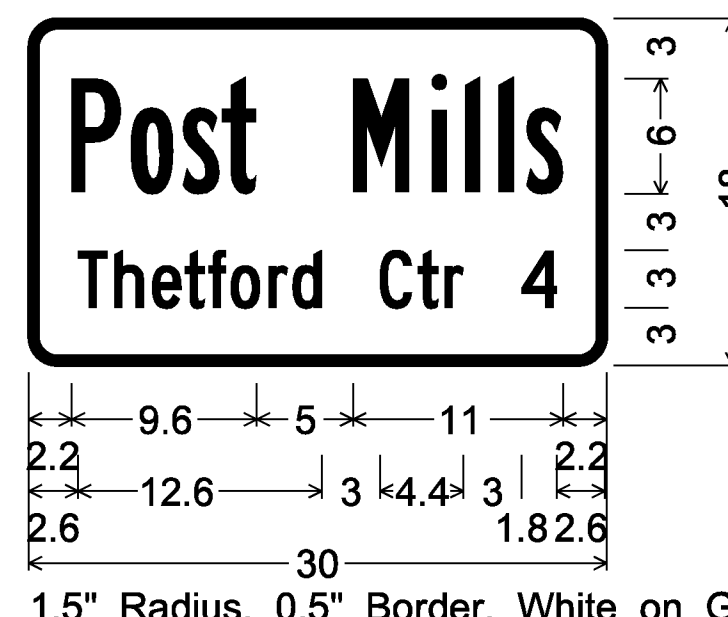
1.5" Radius, 0.5" Border, White on Green;
[West] C 2K; [Fairlee] C 2K;
[Post Mills] C 2K; [2] C 2K;

VD-018



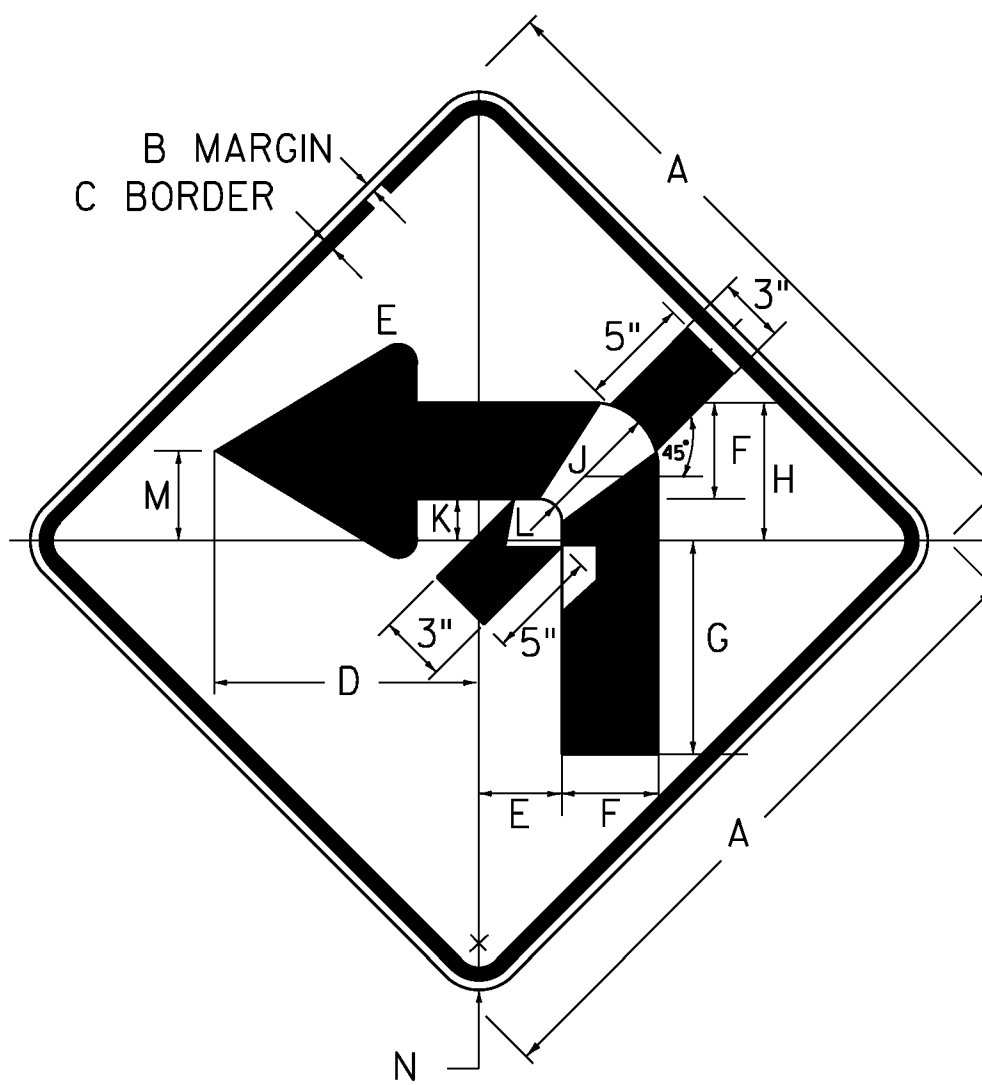
1.5" Radius, 0.5" Border, White on Green;
[West] C 2K; [Fairlee] C 2K;
[Vershire] C 2K; [6] C 2K;

VD-018



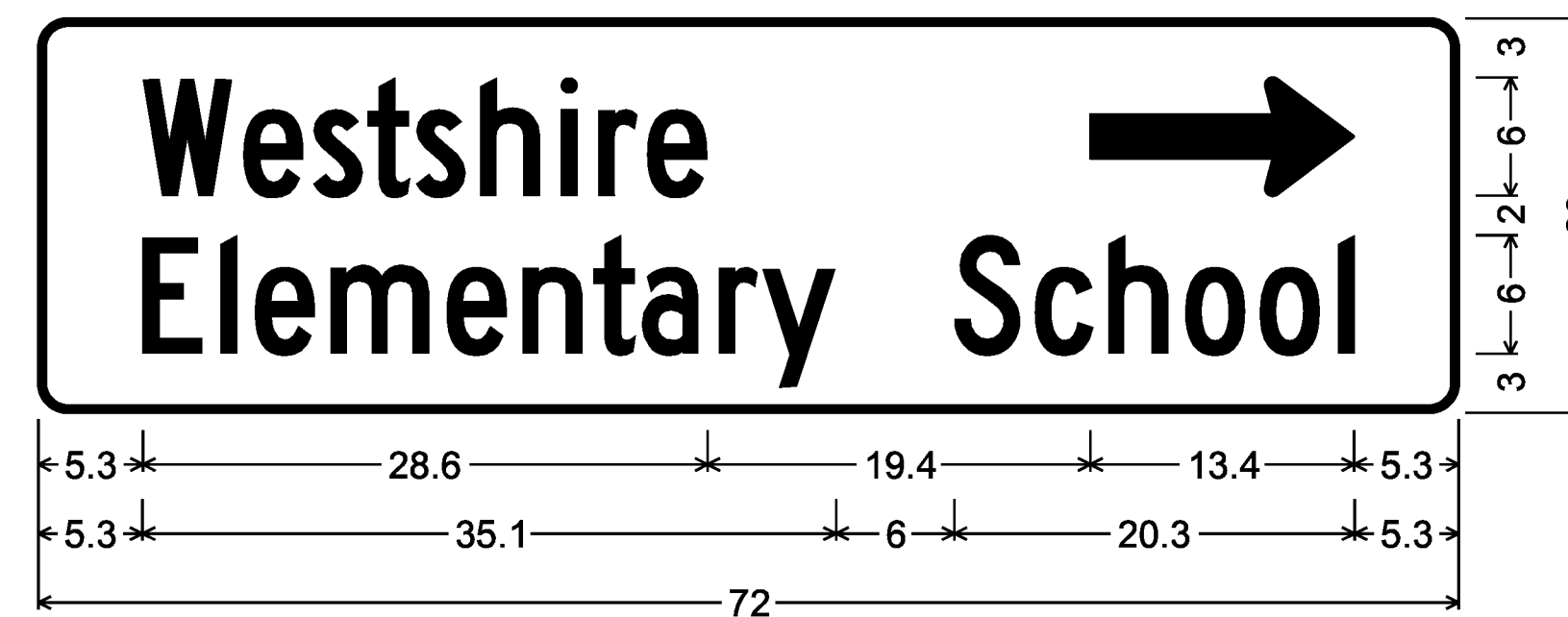
1.5" Radius, 0.5" Border, White on Green;
[Post Mills] B 2K; [Thetford Ctr 4] C 2K;

VD-018



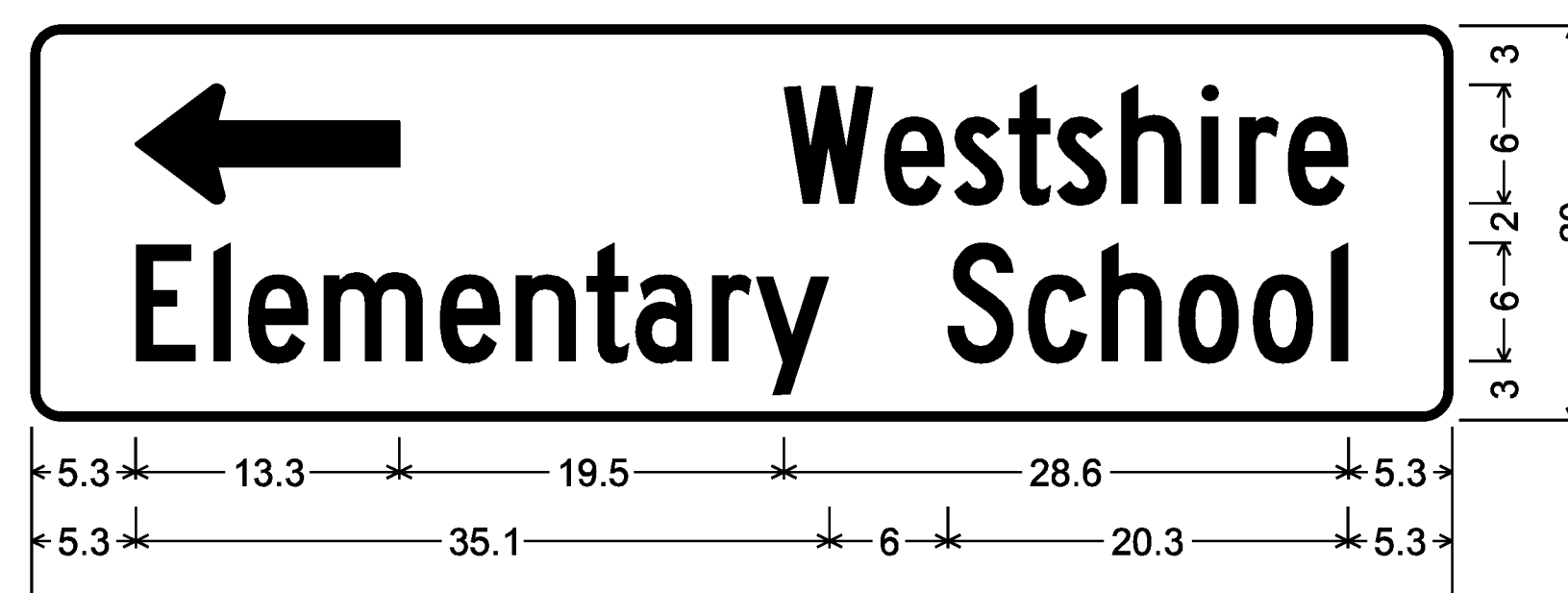
W1-1Me

| DIMENSIONS (INCHES) | | | | | | | | | | | | | |
|-----------------------|-----|-----|---------|-------|-------|--------|-------|-------|-------|-------|-------|-------|--|
| A | B | C | D | E | F | G | H | J | K | L | M | N | |
| 36 | 5/8 | 7/8 | 1 4 3/8 | 4 1/2 | 5 1/4 | 11 5/8 | 7 1/2 | 3 5/8 | 2 1/4 | 1 1/4 | 4 7/8 | 2 1/4 | |



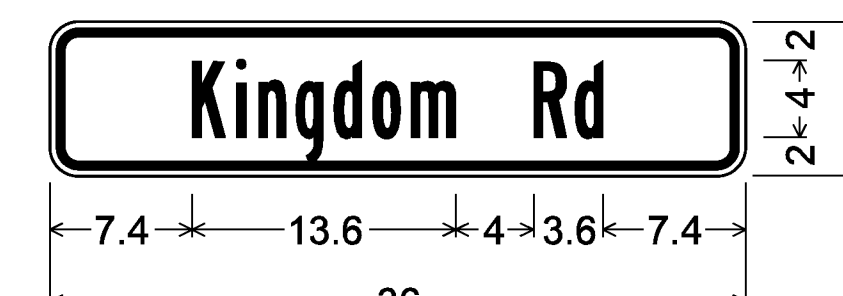
1.5" Radius, 0.4" Border, White on Green;
[Westshire] C 2K; Standard Arrow Custom 13.4" X 6.0" 0°;
[Elementary School] C 2K;

VD2-1S



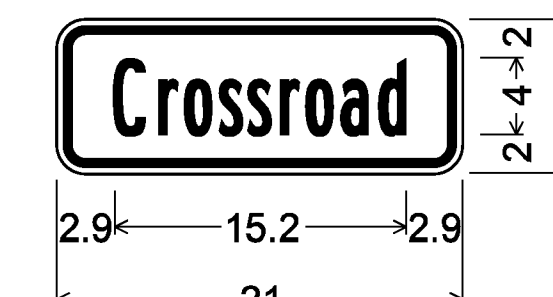
1.5" Radius, 0.4" Border, White on Green;
Standard Arrow Custom 13.4" X 6.0" 180°; [Westshire] C 2K;
[Elementary] C 2K; [School] C 2K;

VD2-1S



1.5" Radius, 0.4" Border, 0.4" Indent, Black on Yellow;
[Kingdom Rd] B 2K;

W16-8p



1.5" Radius, 0.4" Border, 0.4" Indent, Black on Yellow;
[Crossroad] B 2K;

W16-8p

SIGN DETAIL SHEET 4

PROJECT NAME: VERSHIRE-THETFORD

PROJECT NUMBER: STP 2911(I)

FILE NAME: pl0c224.dgn
PROJECT LEADER: PTS
DESIGNED BY: NULL
IPARM FILE NAME: IOC224_87

PLOT DATE: 1/29/2013
DRAWN BY: SNG
CHECKED BY: PTS
SHEET 87 OF 232

NOT TO SCALE