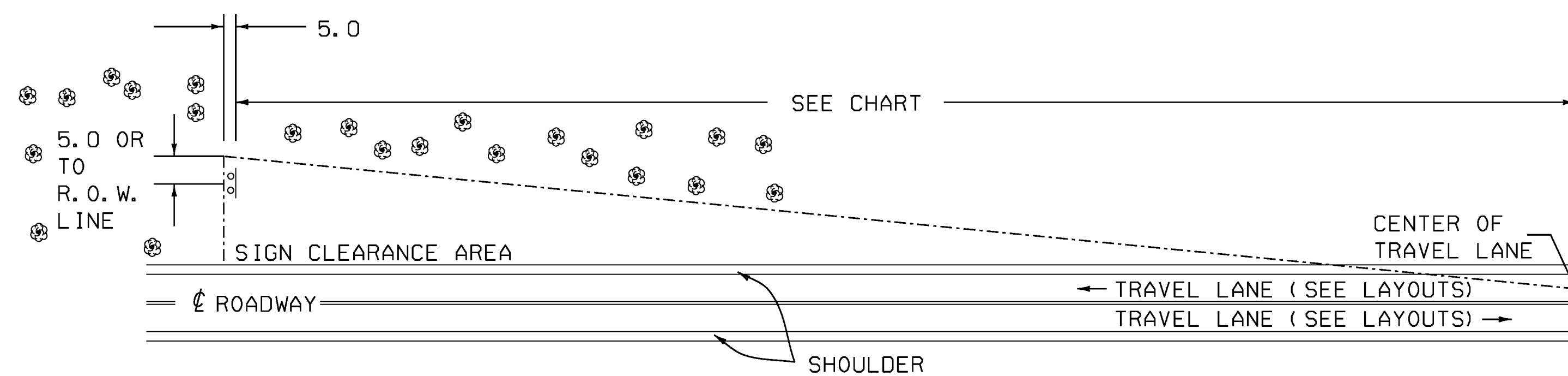


SAFETY EDGE DETAIL

NOTE: LEVELING COURSE MAY INCLUDE THE "SAFETY EDGE" AT THE CONTRACTOR'S CHOICE.



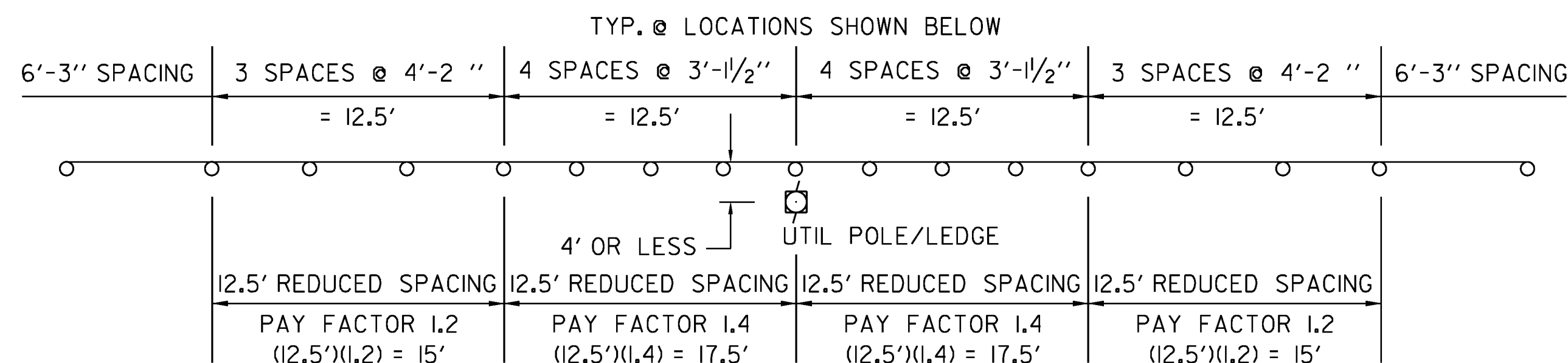
MINIMUM SIGN SIGHT DISTANCE CHART

APPROACH SPEED (mph)	SIGHT DISTANCE (feet)
30 OR LESS	300
35	350
40	400
45	450
50	500
55	550

THE CONTRACTOR SHALL REMOVE ALL WOODY STEMMED GROWTH INCLUDING BRUSH, SAPLINGS AND TREE LIMBS GROWING WITHIN OR PROJECTING INTO THE CLEARANCE AREA AND DOWN TO GROUND LEVEL. PAYMENT WILL BE UNDER ITEM 201.3, THINNING AND TRIMMING FOR SIGNS. NO CHEMICALS (POISONS OR DEFOLIANTS) WILL BE ALLOWED.

THINNING AND TRIMMING DETAIL

LOCATION
213+91 RT
213+98 RT
277+50 RT

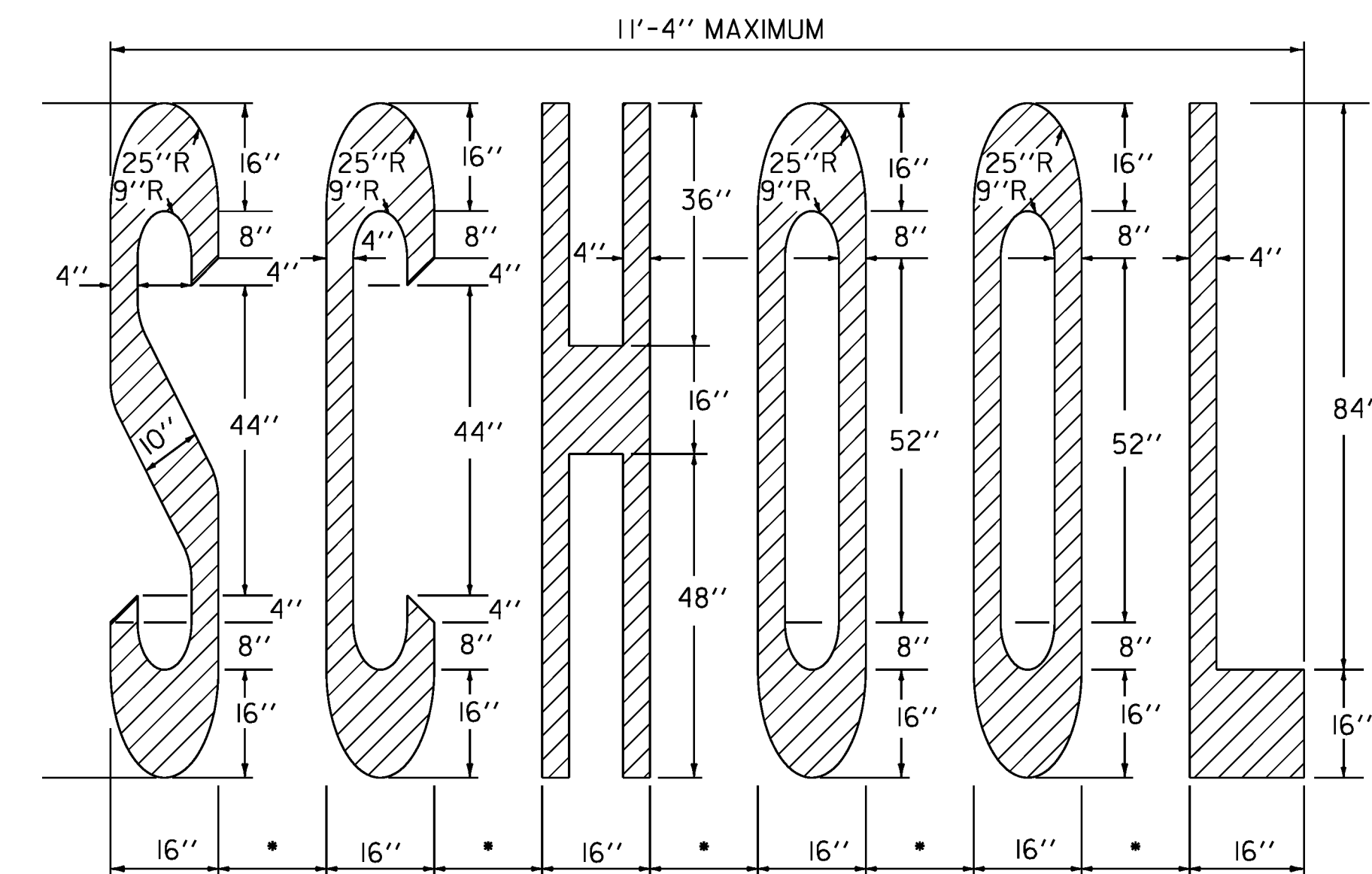


GUARDRAIL DETAIL

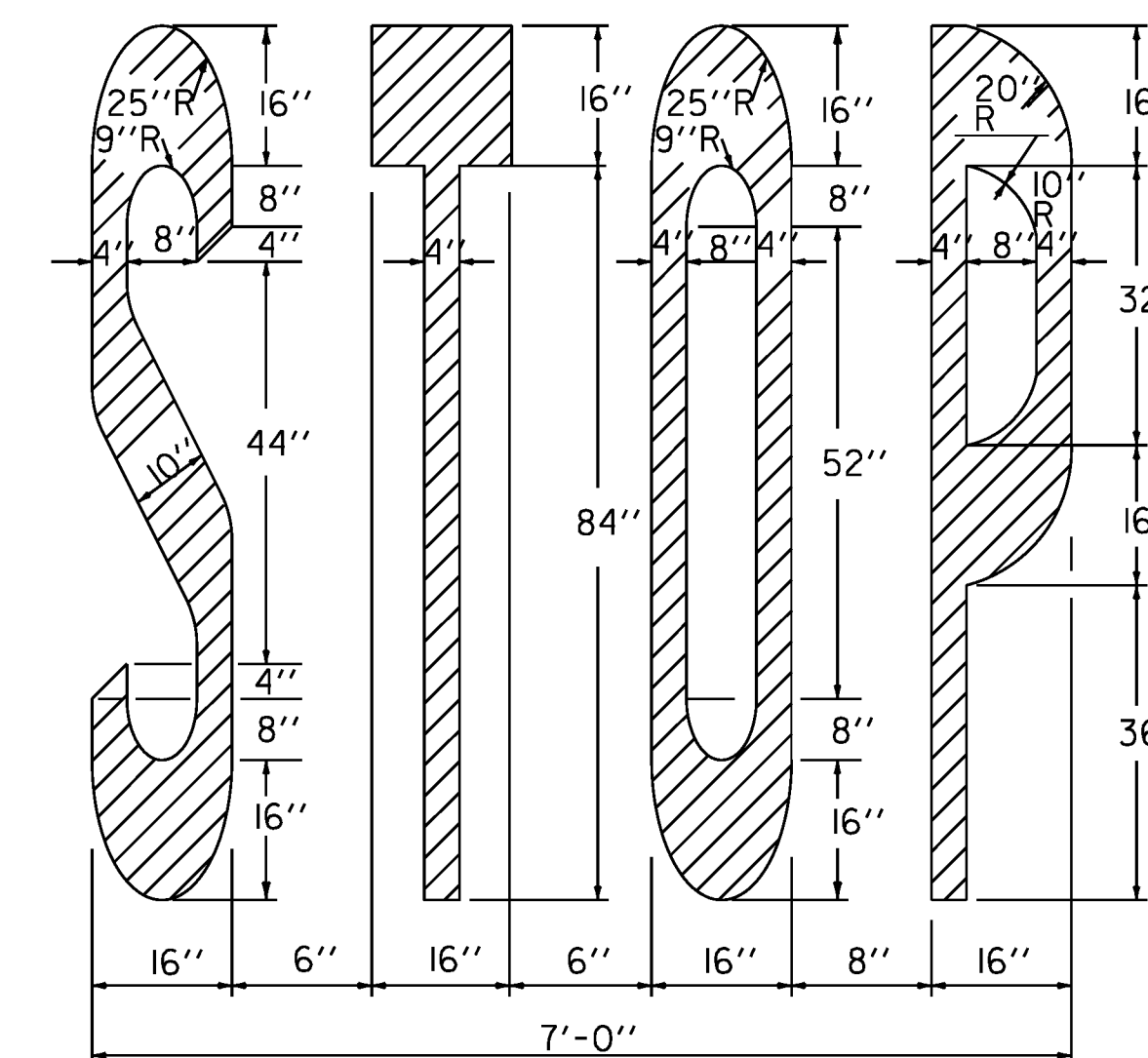
OBJECTS WITHIN 4.0 FT OF GUARDRAIL

LOCATION
F136+88 LT

NOT TO SCALE



(4"-8") - ADJUST TO AVAILABLE PAVEMENT WIDTH



PAVEMENT MARKING DETAIL

MISCELLANEOUS DETAIL SHEET

PROJECT NAME: VERSHIRE-THETFORD

PROJECT NUMBER: STP 2911(I)

FILE NAME: pl0c224.dgn
PROJECT LEADER: PTS
DESIGNED BY: NLL
IPARM FILE NAME: IOC224_I8

PLOT DATE: 1/29/2013
DRAWN BY: SNG
CHECKED BY: PTS
SHEET 18 OF 232