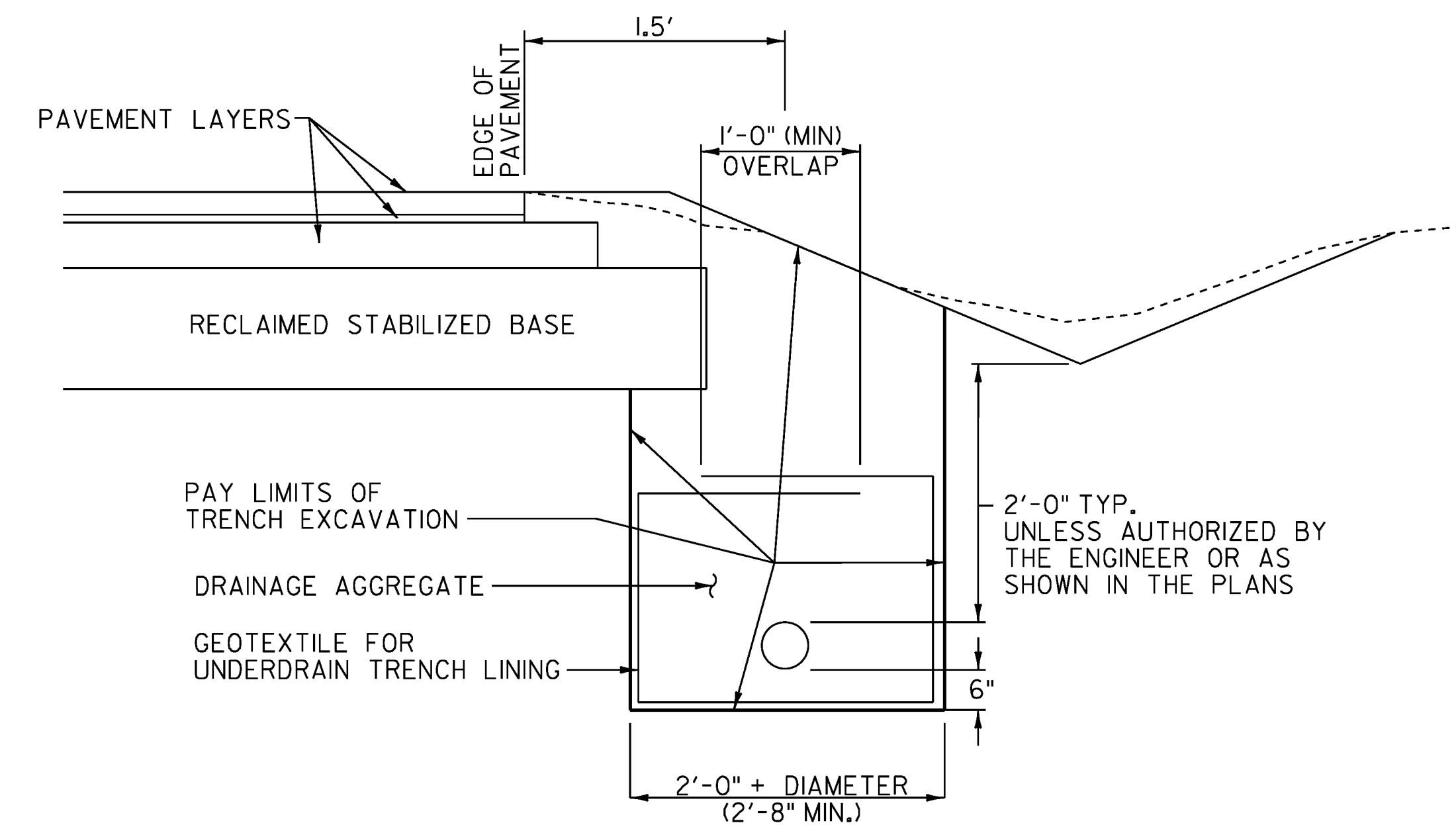
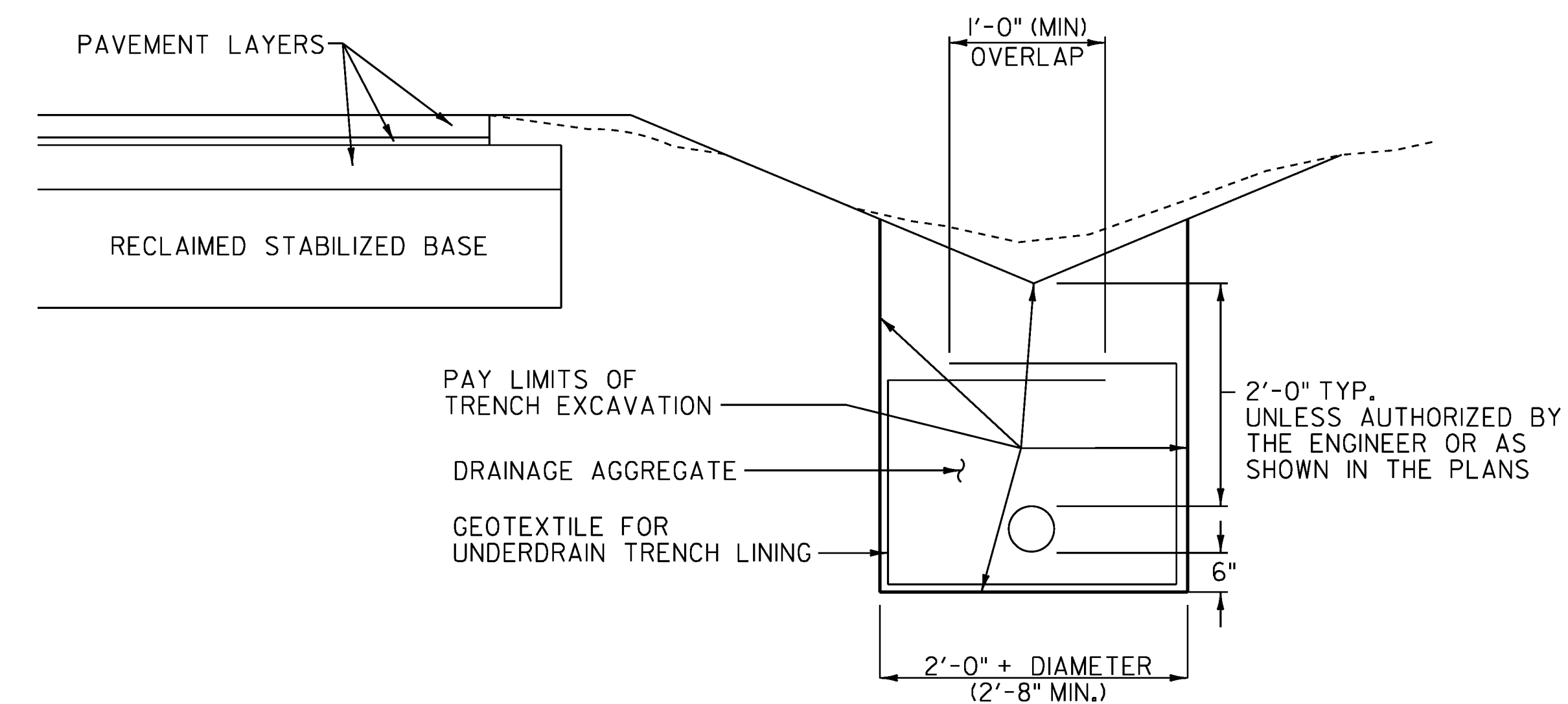


LOCATION				605.10	605.20	204.20	619.17	REMARKS
SITE	STA	STA	POS	6 INCH UNDERDRAIN PIPE LF	6 INCH UNDERDRAIN CARRIER PIPE LF	TRENCH EXCAVATION OF EARTH CY	YIELDING MARKER POSTS EA	
VERSHIRE								
	185+08	408+20	LT/RT				88	INLETS AND OUTLETS OF CULVERTS
1	192+00	195+25	LT	325		89.0	1	
2	333+00	336+43	RT	343		56.7	1	
3	345+00	347+40	RT	250		31.9	1	
WEST FAIRLEE								
	F0+00	F148+94	RT				89	INLETS AND OUTLETS OF CULVERTS
4	F29+75	F33+75	RT	400		95.6	1	
5	F34+00	F38+72	RT	472		115.0	1	
6	F44+00	F45+77	RT	177		5.8	1	
7	F81+50	F83+66	RT	216		85.2	1	
8	F83+80	F84+78	RT	98		36.8	1	CONNECT UNDERDRAIN TO EXISTING CB (INCIDENTAL TO ITEM 605.11)
9	F85+05	F86+72	RT	167		74.3	1	CONNECT UNDERDRAIN TO EXISTING CB (INCIDENTAL TO ITEM 605.11)
10	F87+35	F88+87	RT	152		77.1	1	
11	F88+87	F89+24	LT/RT		51	28.1	1	
12	F132+60	F136+00	RT	340		144.7	1	
13	F137+50	F139+30	RT	185		72.0	1	
14	F139+45	F140+25	RT	84		27.0	1	
15	F141+10	F143+75	RT	267		94.1	1	
16	F145+55	T0+04	RT	343		160.1	1	
THETFORD								
	T0+00	T42+93	LT/RT				15	INLETS AND OUTLETS OF CULVERTS
17	T31+70	T34+50	RT	280		83.2	1	
VERSHIRE SUBTOTAL				918		177.6	91	
WEST FAIRLEE SUBTOTAL				2901	51	1015.8	102	
THETFORD SUBTOTAL				280		83.2	16	
PROJECT SUBTOTAL				4099	51	1276.6	209	
ROUNDING				51	4	13.4	1	
PROJECT TOTAL				4150	55	1290	210	



UNDERDRAIN DETAIL

SITE NO: 7-10



UNDERDRAIN DETAIL

SITE NO: 1-6, 11-17

NOTES

1. GEOTEXTILE FOR UNDERDRAIN TRENCH LINING SHALL NOT BE PLACED AROUND UNDERDRAIN WHEN COVER ABOVE PIPE IS LESS THAN 1 FOOT
2. DRAINAGE AGGREGATE SHALL MEET THE REQUIREMENTS OF SUBSECTION 704.16
3. GEOTEXTILE FOR UNDERDRAIN TRENCH LINING AND DRAINAGE AGGREGATE ITEMS ARE INCLUDED IN THE UNIT PRICE BID FOR PAY ITEM 605.10, 6 INCH UNDERDRAIN PIPE

UNDERDRAIN DETAIL SHEET

PROJECT NAME: VERSHIRE-THETFORD	PLOT DATE: 1/29/2013
PROJECT NUMBER: STP 2911(I)	DRAWN BY: SNG
FILE NAME: pl0c224.dgn	CHECKED BY: PTS
PROJECT LEADER: PTS	SHEET 17 OF 232
DESIGNED BY: NULL	
IPARM FILE NAME: IOC224_17	

NOT TO SCALE