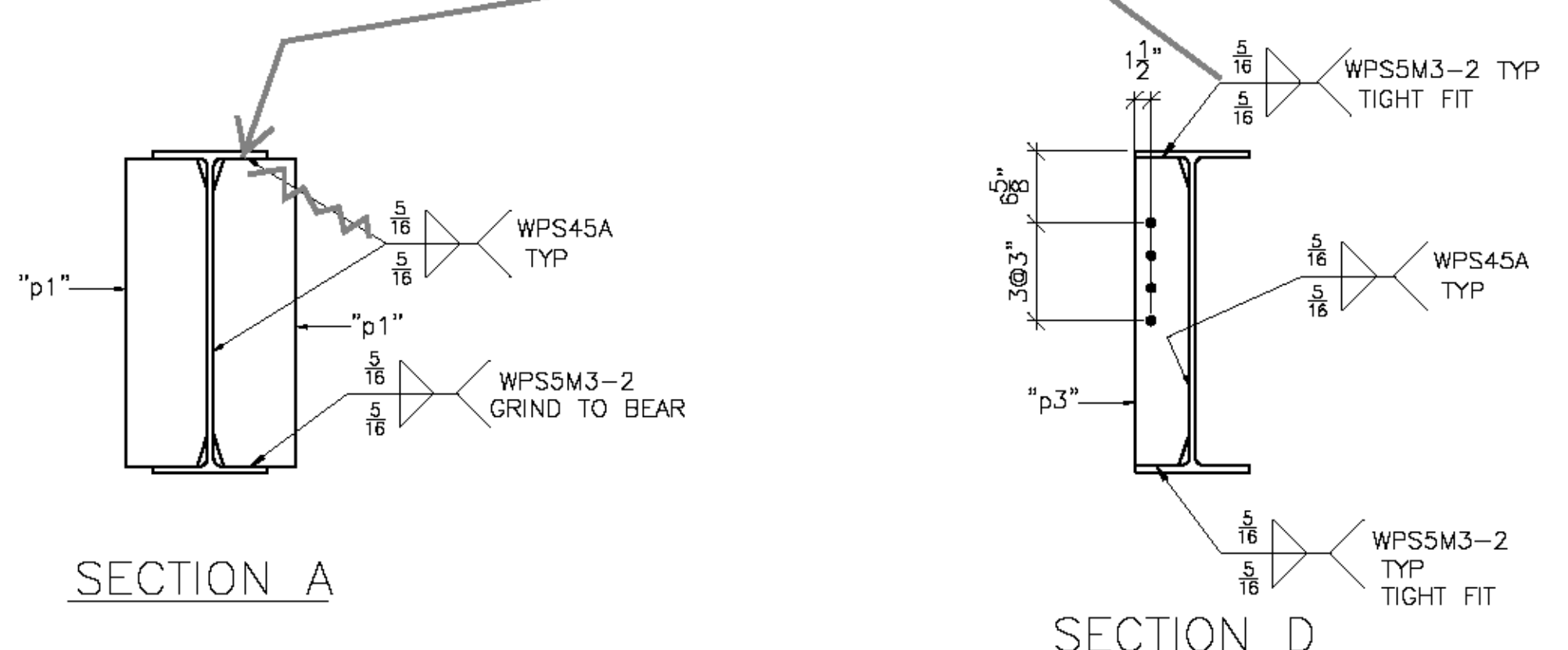


BOTTOM VIEW

Use this weld instead.
Typical of all beams



SECTION A

SECTION D

SEE SHEET M1 FOR CAMBER AND SECTIONS & DETAILS NOT SHOWN

SHOP NOTE:
ENTIRE TOP FLANGE IS IN COMPRESSION
ENTIRE BOTT FLANGE IS IN TENSION

BILL OF MATERIAL

| SHIP | SHIP MARK | NO. PCS. | PIECE MARK | DESCRIPTION | LENGTH | REMARKS | WT. |
|------|-----------|----------|------------|--------------------------------|-----------|---------|------|
| 1 | G1 | 1 | | GIRDER | 46'-0 3/8 | CVN | 4377 |
| | | 4 | p1 | SEE SHT. M1 | | | 4140 |
| | | 3 | p3 | SEE SHT. M1 | | | |
| | | 1 | dp1 | 1/4" THK. DRIP BAR SEE SHT. M1 | | | |

Vermont Agency of Transportation
RECEIVED
CK'D BY FDB OK'D BY CLB
May 29, 2015
RESUBMIT No Approved AsNoted
BY Carolyn Carlson DATE 06/02/15

| | | | |
|--------------|---------------------------------------|--|--------------------|
| FINISH | GALVANIZED | | |
| MATERIAL | ASHITO M270 (ASTM A708) GR. 50 U.O.N. | | |
| HOLES | 15/16" U.O.N. | | |
| ELECTRODES | | | |
| WELDS | PER WPS | | |
| SURFACE PREP | SSPC SP6 | 5/27/15 | PER APPROVAL JAC |
| REVISIONS | | | |
| | | ADVANCED RESOURCES & CONST. ENTERPRISES, INCORPORATED P.O. BOX 120 KINGFIELD, ME. 04947 PHONE: (207) 265-2646 - FAX: (207) 265-4054 | |
| DRAFTER | JAC | STRINGER DETAILS, G1 | PROJECT NO. 15-114 |
| DATE | 5/11/15 | TOWN OF MIDDLESEX, VT 12 (RURAL MAJOR COLLECTOR) | DWG. NO. |
| CHECKED | JS | PROJECT NUMBER BR# 024-1(37) | |
| DATE | 5/14/15 | G.C. AL ST. ONCE CONTRACTOR INC. | 2 |