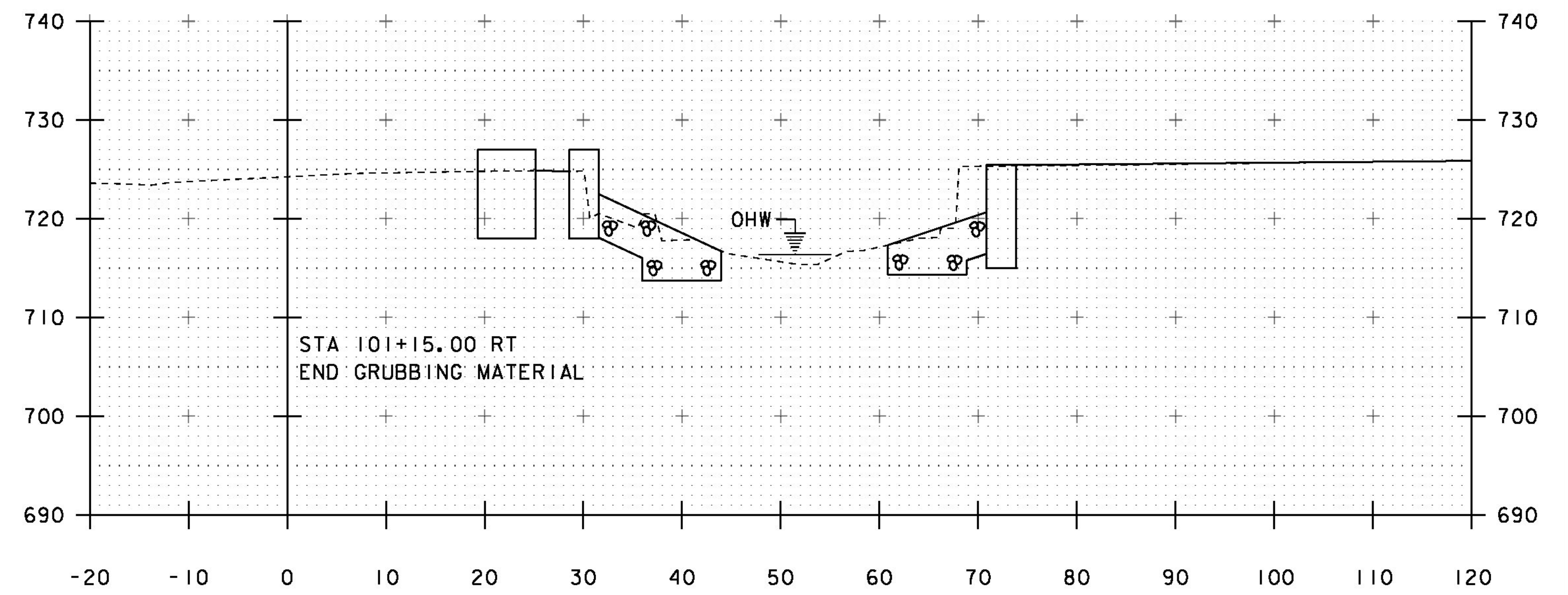
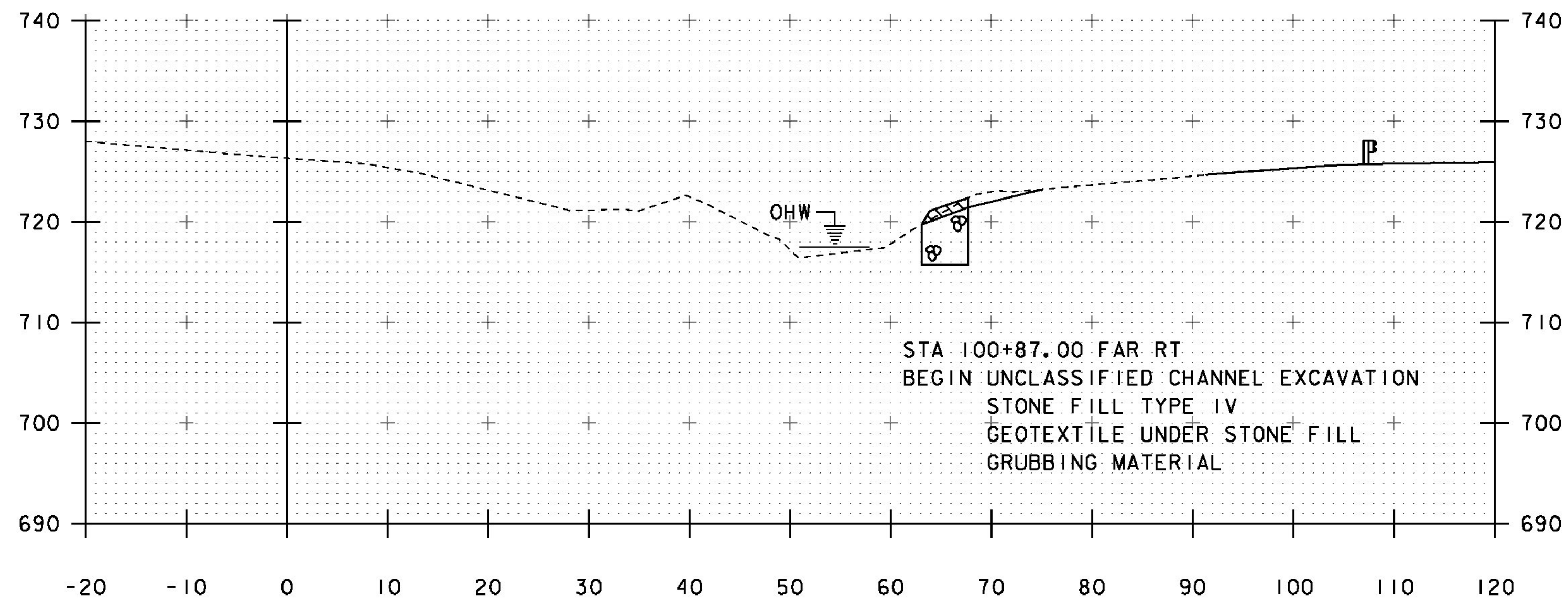


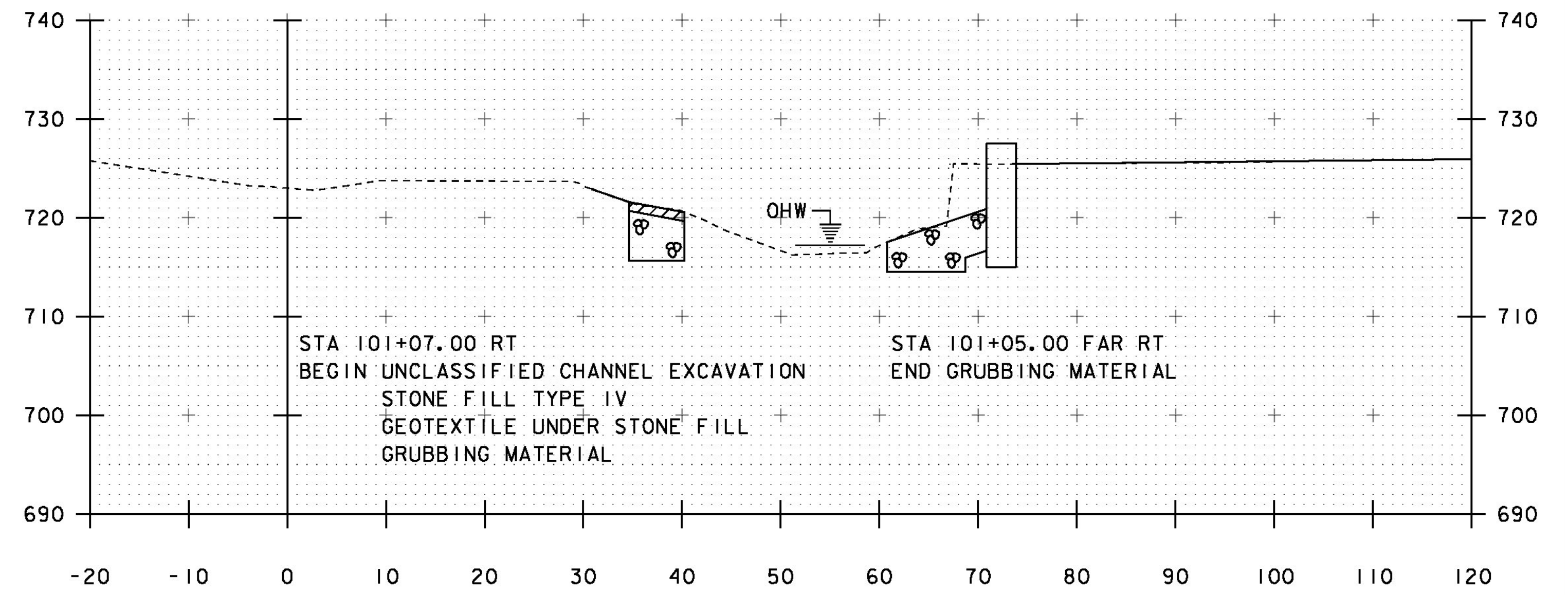
101+00



101+20



100+90



101+10

STA 100+87.00 FAR RT
 BEGIN UNCLASSIFIED CHANNEL EXCAVATION
 STONE FILL TYPE IV
 GEOTEXTILE UNDER STONE FILL
 GRUBBING MATERIAL

STA 101+07.00 RT
 BEGIN UNCLASSIFIED CHANNEL EXCAVATION
 STONE FILL TYPE IV
 GEOTEXTILE UNDER STONE FILL
 GRUBBING MATERIAL

STA 101+05.00 FAR RT
 END GRUBBING MATERIAL

STA. 100+90 TO STA. 101+20

PROJECT NAME: MIDDLESEX
 PROJECT NUMBER: BRP 024-1(37)

FILE NAME: sl0c220xs.dgn
 PROJECT LEADER: C. CARLSON
 DESIGNED BY: H. SALLS
 CHANNEL CROSS SECTIONS 2

PLOT DATE: 13-JAN-2015
 DRAWN BY: R. PELLETT
 CHECKED BY: H. SALLS
 SHEET 38 OF 46