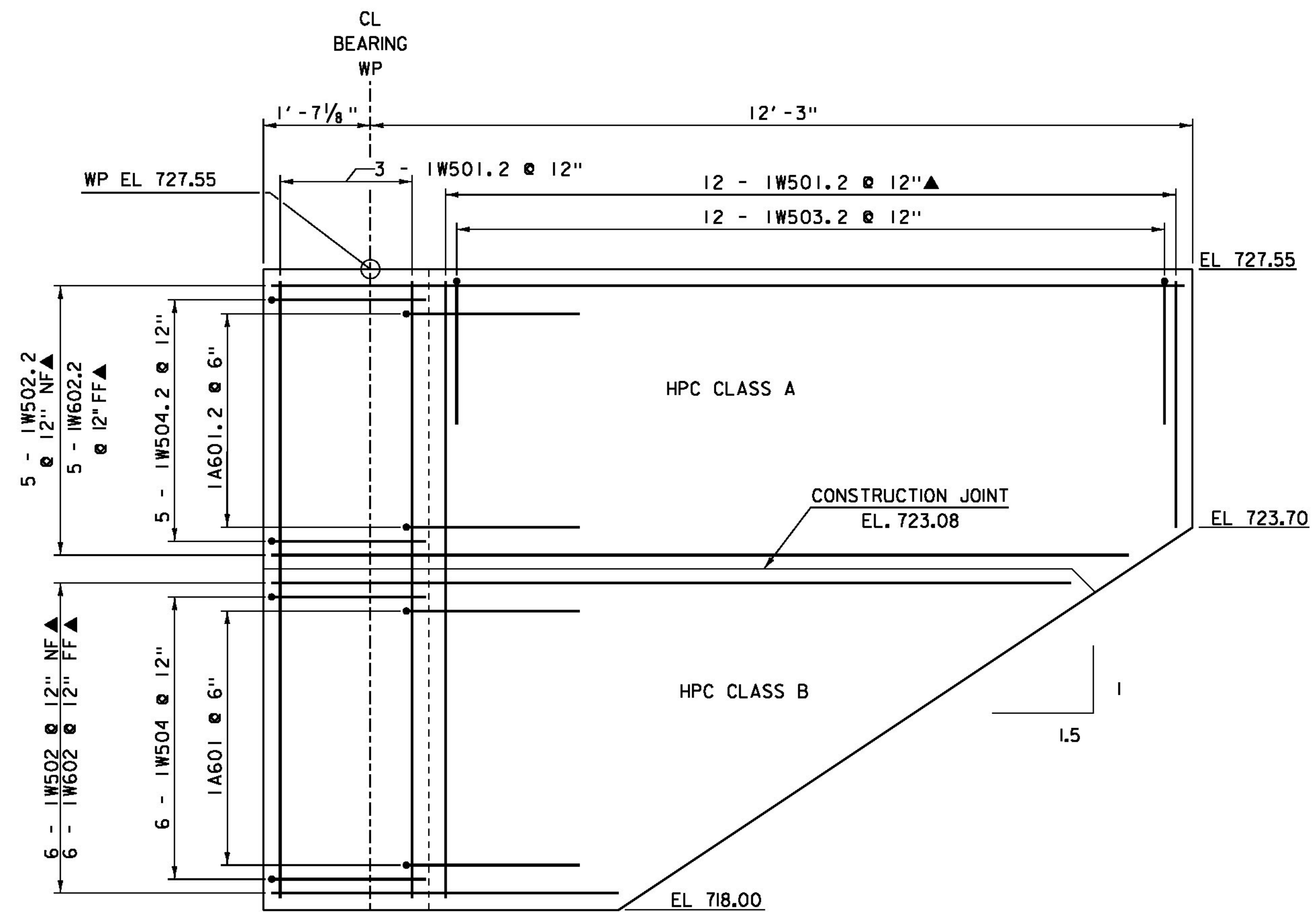
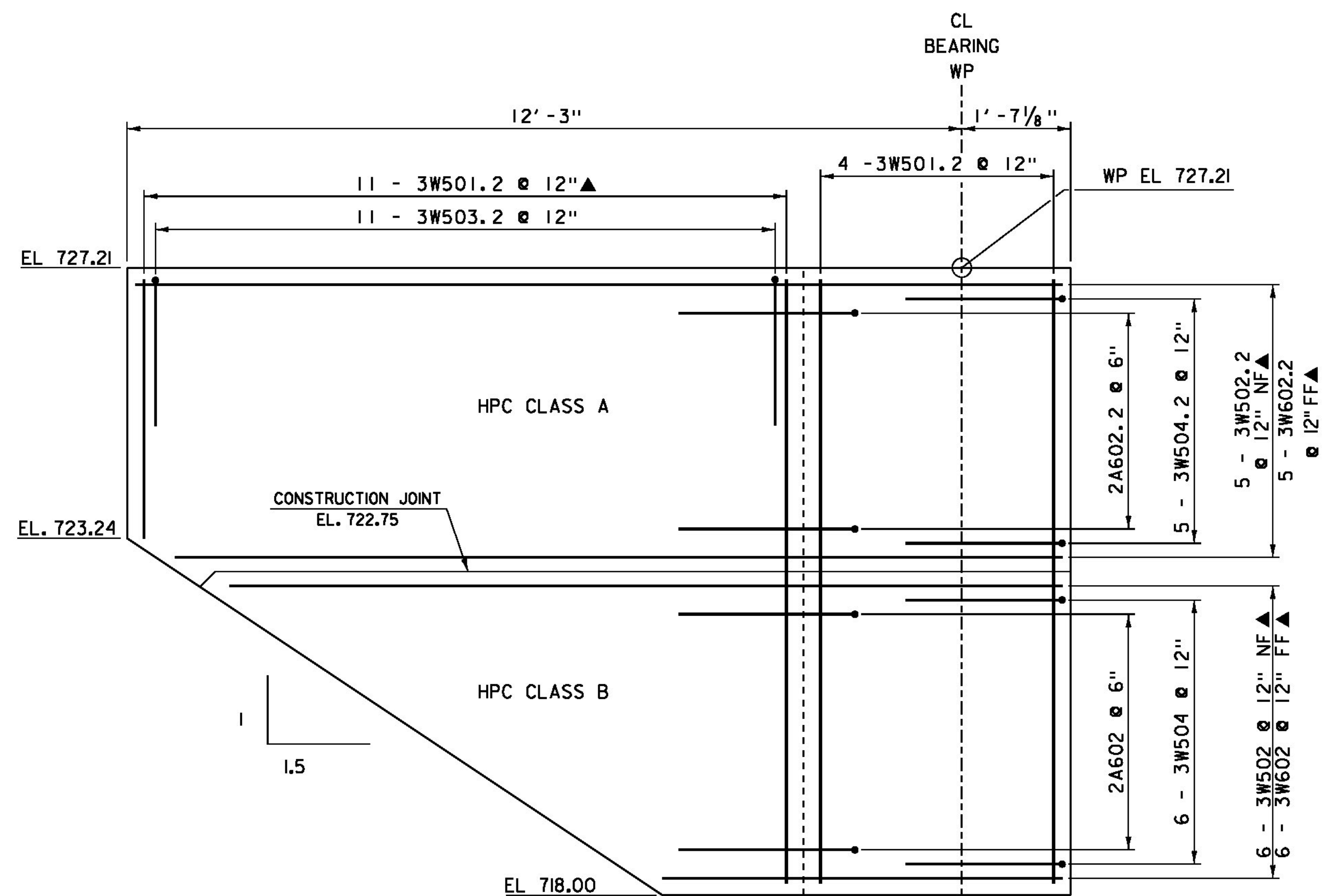


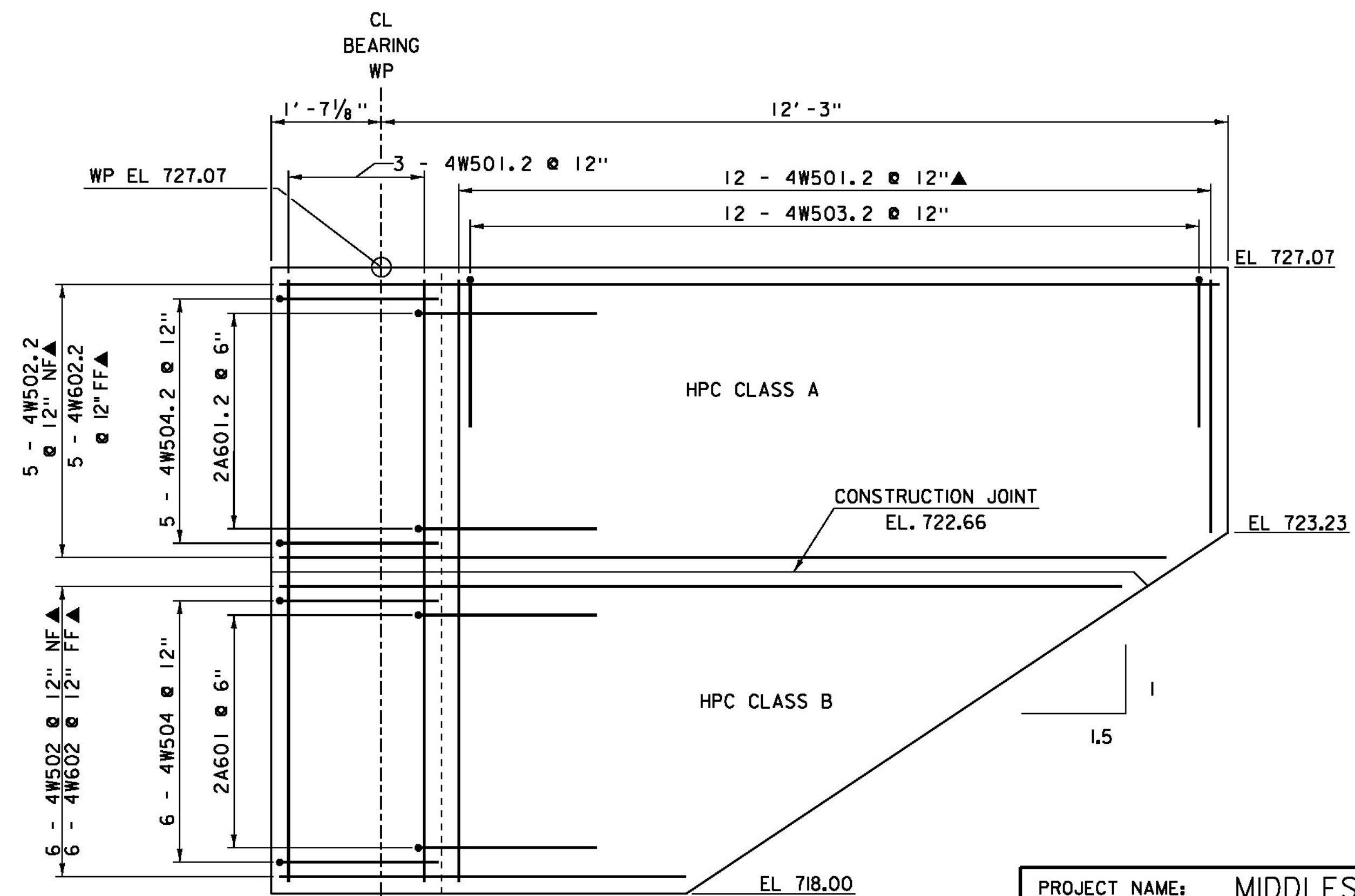
WINGWALL 2 ELEVATION
SCALE 3/4" = 1'-0"



WINGWALL 1 ELEVATION
SCALE 3/4" = 1'-0"



WINGWALL 3 ELEVATION
SCALE 3/4" = 1'-0"



WINGWALL 4 ELEVATION
SCALE 3/4" = 1'-0"

NOTE:
 NF = NEAR FACE
 FF = FAR FACE
 EF = EACH FACE
 ▲ = CUT TO FIT IN FIELD
 3" CLEAR, UNLESS OTHERWISE SPECIFIED ON THE PLANS.
 2'-2" BAR LAP UNLESS OTHERWISE SPECIFIED ON THE PLANS.

PROJECT NAME:	MIDDLESEX	PLOT DATE:	06-FEB-2015
PROJECT NUMBER:	BRF 024-1(37)	DRAWN BY:	C. BURRALL
FILE NAME:	sl0c220sub.dgn	DESIGNED BY:	H. SALLS
PROJECT LEADER:	C. CARLSON	WINGWALL ELEVATIONS	CHECKED BY: H. SALLS
			SHEET 28 OF 46