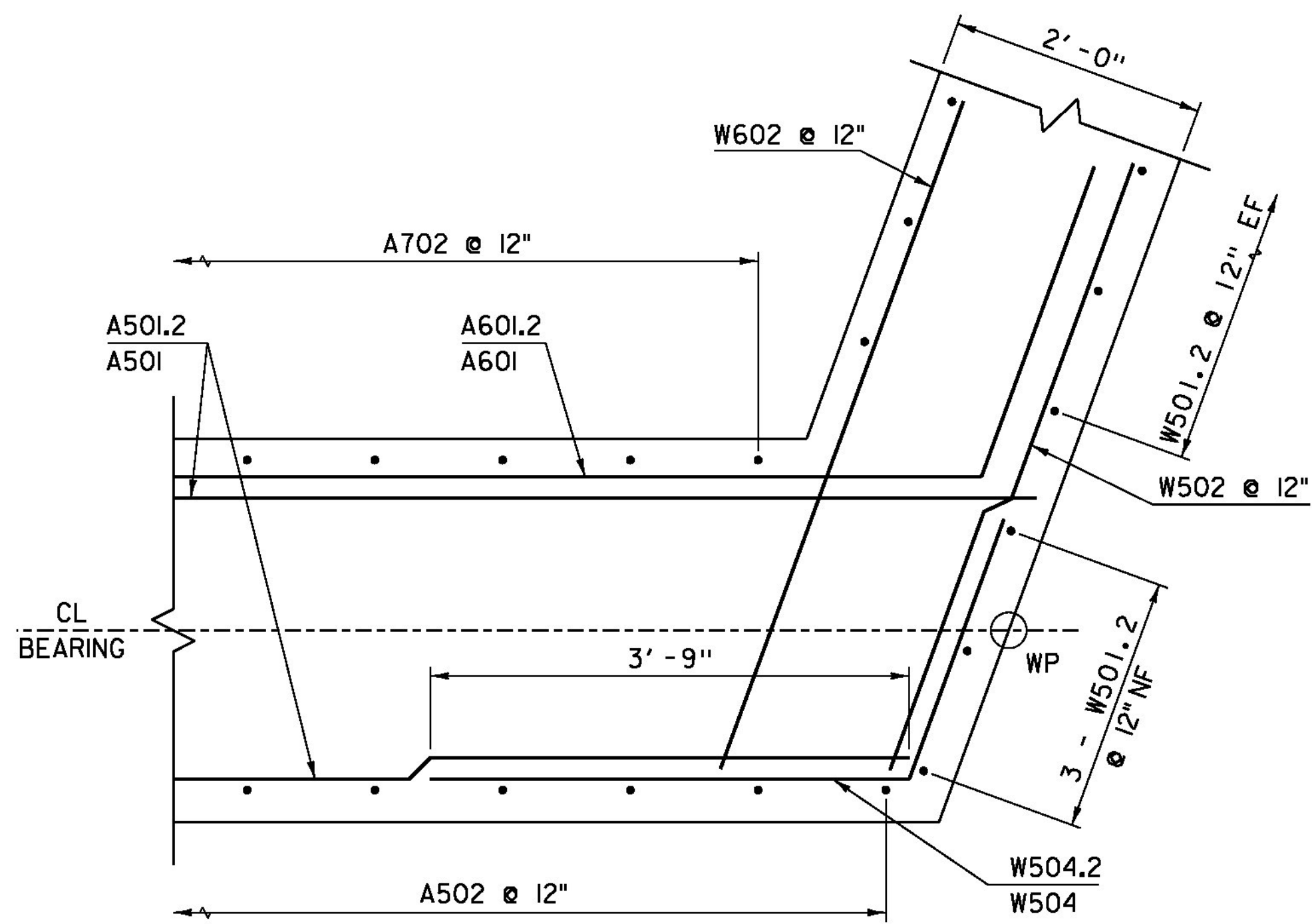
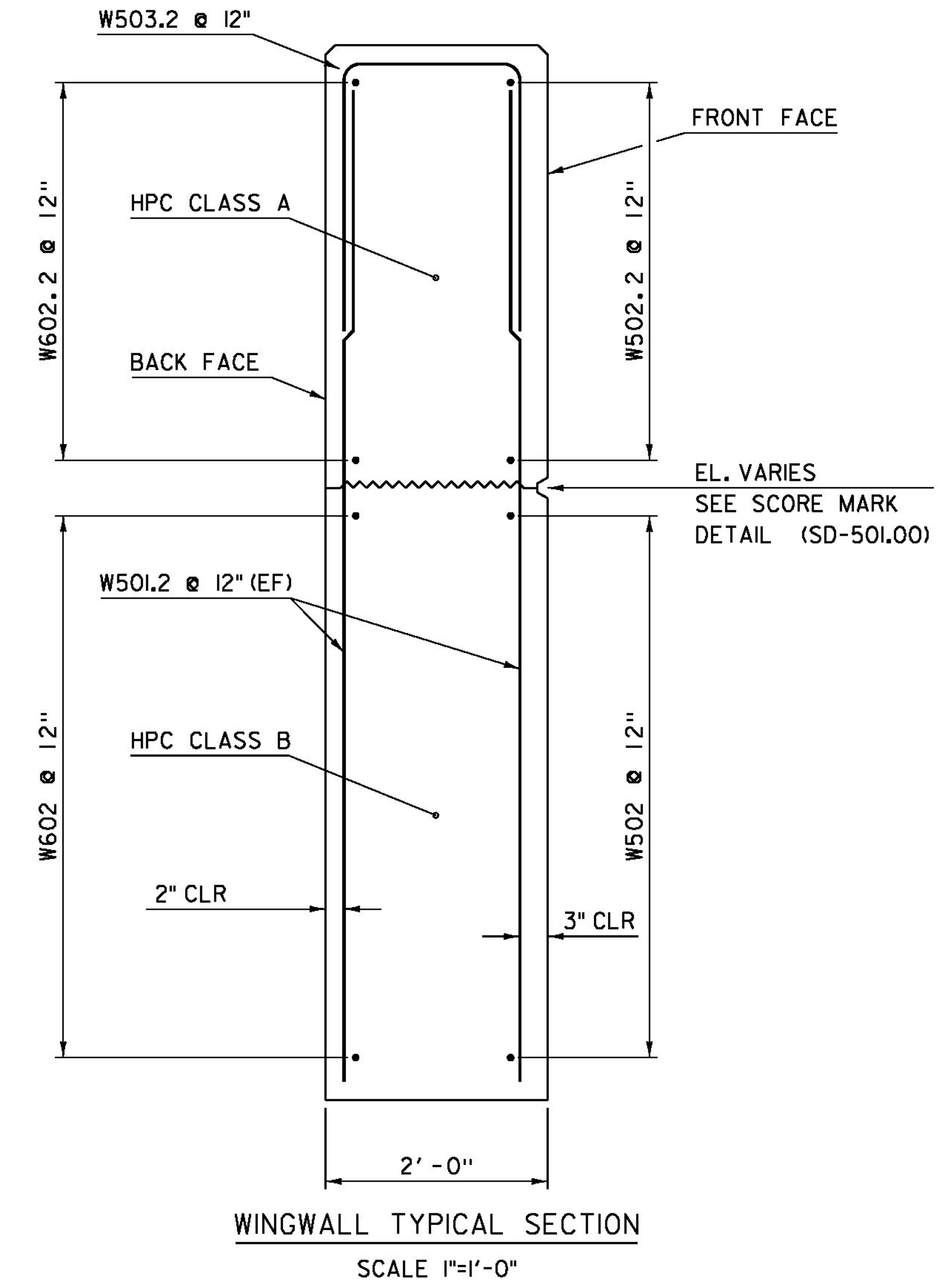


WINGWALLS 2 AND 3 CORNER DETAIL  
SCALE 1"=1'-0"



WINGWALLS 1 AND 4 CORNER DETAIL  
SCALE 1"=1'-0"



WINGWALL TYPICAL SECTION  
SCALE 1"=1'-0"

**NOTE:**

- NF = NEAR FACE
- FF = FAR FACE
- EF = EACH FACE
- ▲ = CUT TO FIT IN FIELD
- 3" CLEAR, UNLESS OTHERWISE SPECIFIED ON THE PLANS.
- 2'-2" BAR LAP UNLESS OTHERWISE SPECIFIED ON THE PLANS.

PROJECT NAME: MIDDLESEX  
PROJECT NUMBER: BRF 024-1(37)

FILE NAME: sl0c220sub.dgn  
PROJECT LEADER: C. CARLSON  
DESIGNED BY: H. SALLS  
WINGWALL DETAILS

PLOT DATE: 06-FEB-2015  
DRAWN BY: C. BURRALL  
CHECKED BY: H. SALLS  
SHEET 27 OF 46