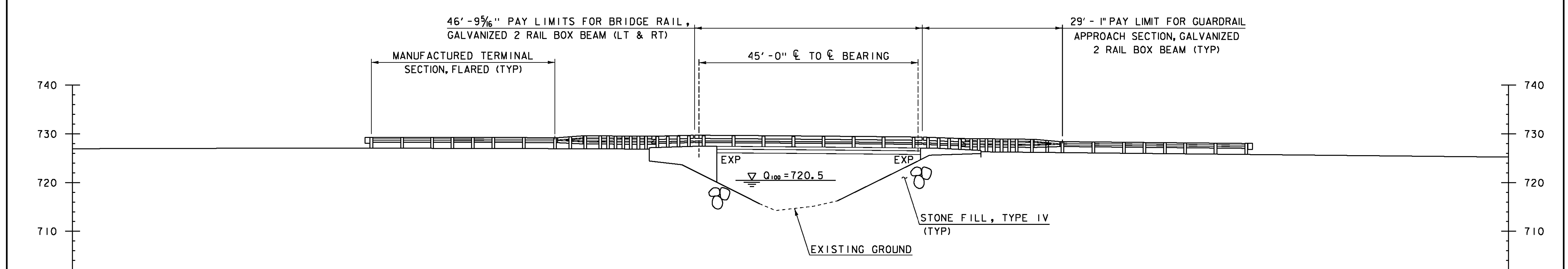


PLAN



ELEVATION

SCALE 1" = 10' - 0"

PROJECT NAME: MIDDLESEX	PLOT DATE: 13-JAN-2015
PROJECT NUMBER: BRF 024-1(37)	DRAWN BY: R. PELLETT
FILE NAME: s10c220pe.dgn	CHECKED BY: H. SALLS
PROJECT LEADER: C. CARLSON	SHEET 18 OF 46
DESIGNED BY: H. SALLS	
PLAN & ELEVATION	