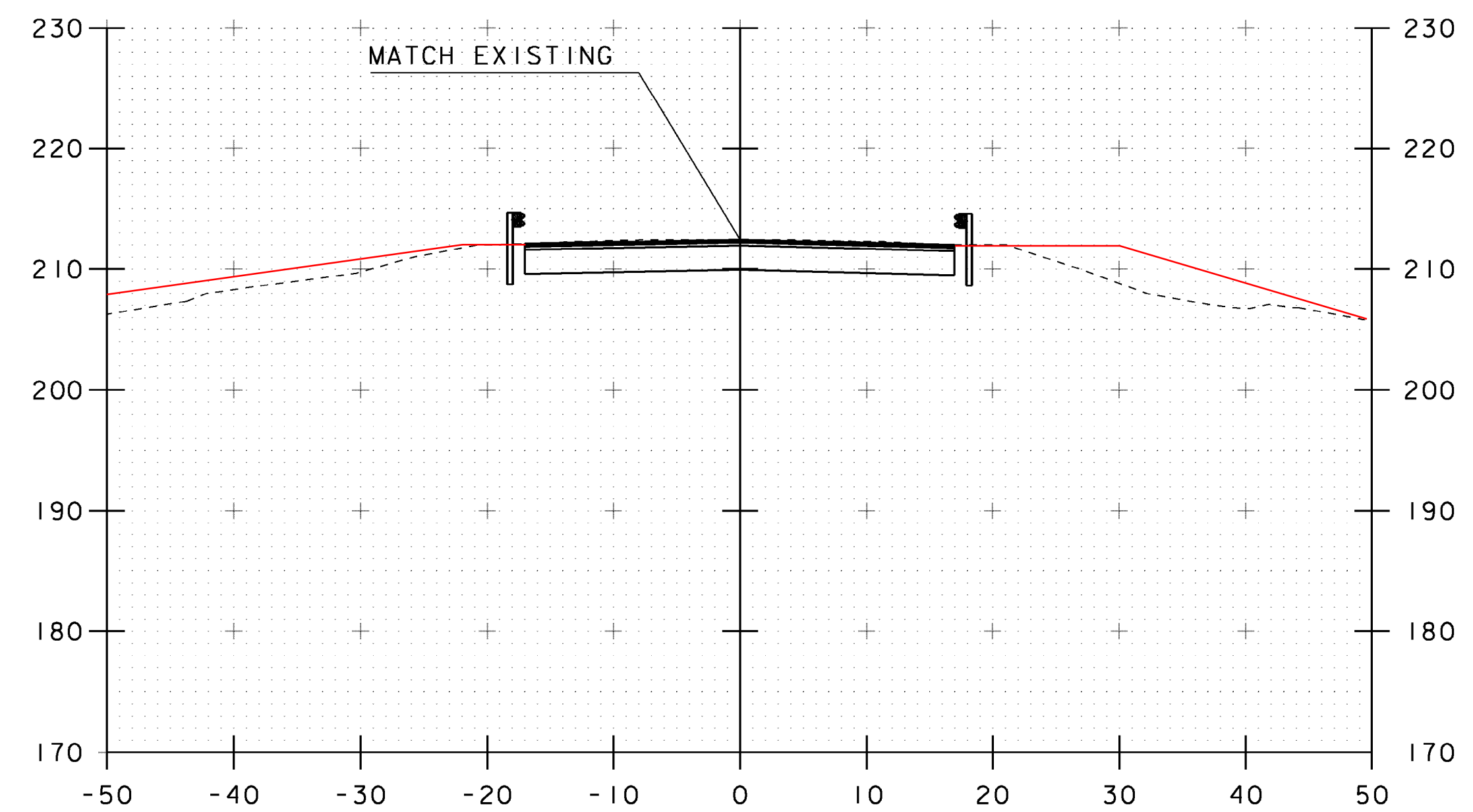
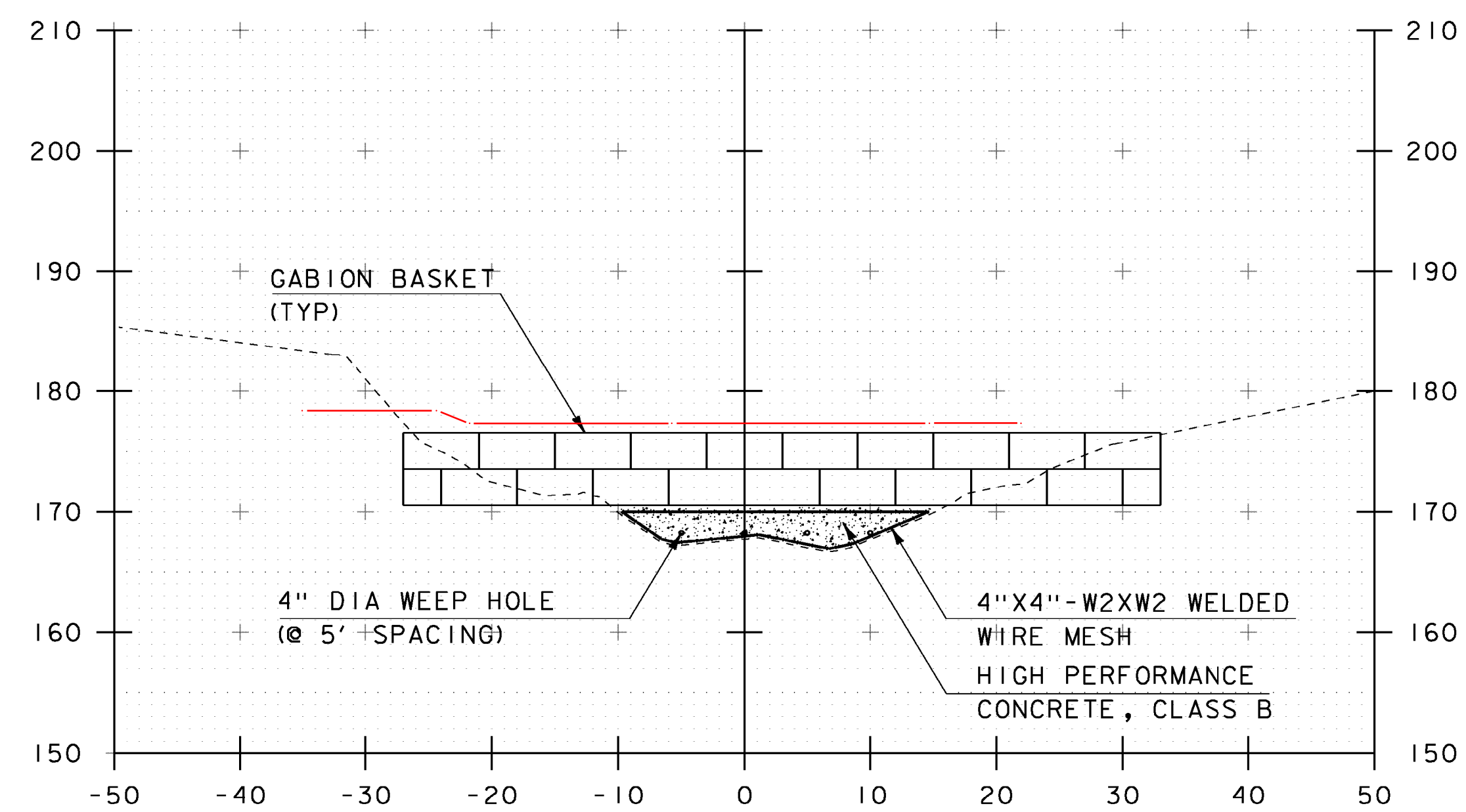


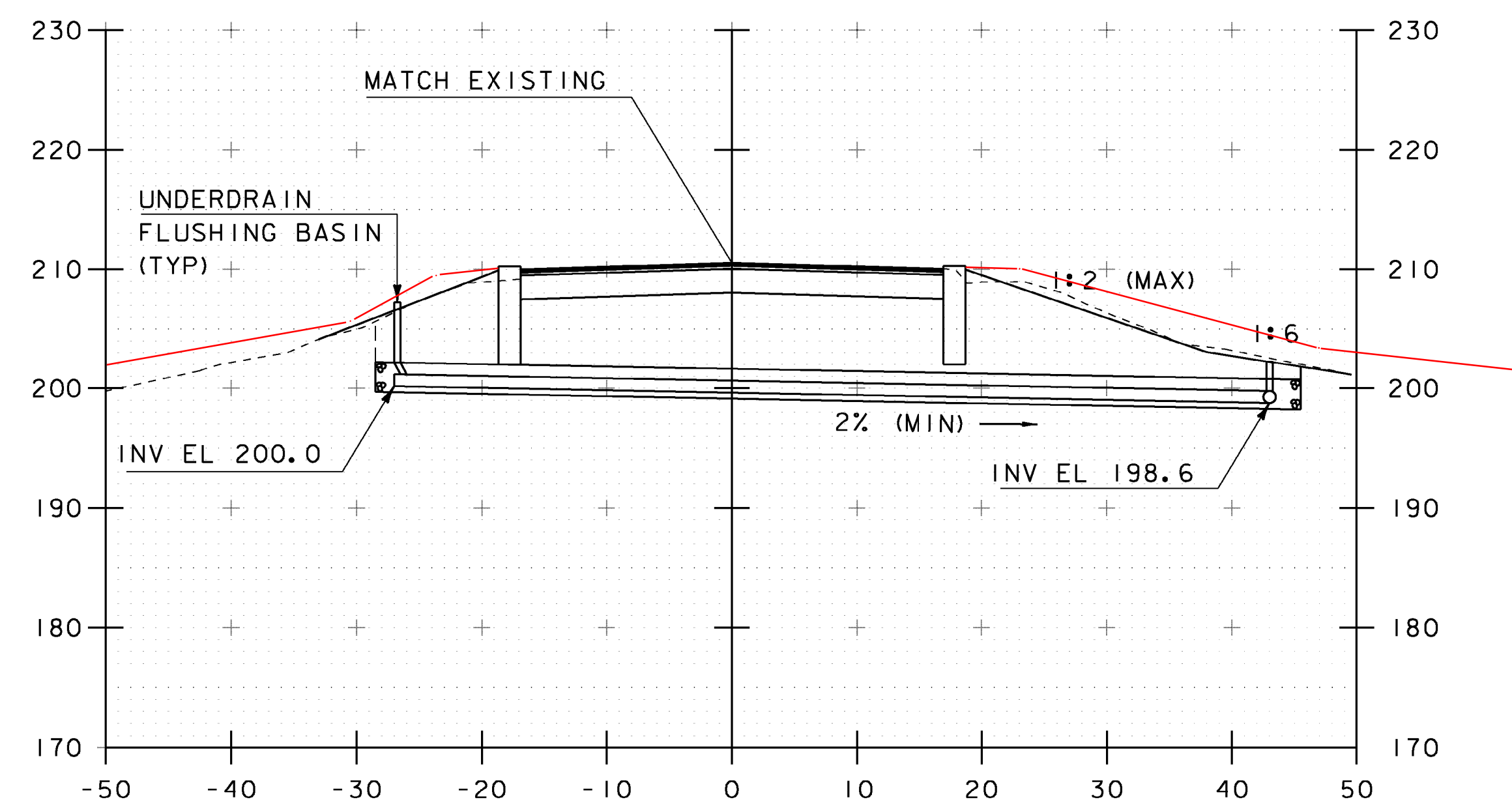
91+00



91+50
END PROJECT



90+75
BEGIN PROJECT @ 90+50.00



91+25

SCALE 1" = 10' - 0"

PROJECT NAME: HIGHGATE
PROJECT NUMBER: STP 0297(8)

FILE NAME: sl0c218xs.dgn
PROJECT LEADER: K. HIGGINS
DESIGNED BY: J. SALVATORI
MAINLINE CROSS SECTIONS

PLOT DATE: 24-JAN-2013
DRAWN BY: J. SALVATORI
CHECKED BY: W. LAMMER
SHEET 14 OF 20