

BRIDGE JOINT  
ASPHALTIC PLUG  
SEE SD-516.10

BITUMINOUS  
CONCRETE PAVEMENT\*

SUBBASE

**MATERIAL TOLERANCES**  
(IF USED ON PROJECT)

SURFACE	
- PAVEMENT (TOTAL THICKNESS)	+/- 1/4"
- AGGREGATE SURFACE COURSE	+/- 1/2"
SUBBASE	+/- 1"
SAND BORROW	+/- 1"

EXISTING  
GROUND

EXISTING  
ABUTMENT

LIMITS OF GRANULAR  
BACKFILL FOR STRUCTURES

GEOTEXTILE UNDER  
STONE FILL  
(TYP)

CONTROLLED DENSITY  
(FLOWABLE) FILL  
AS REQUIRED UNDER  
ABUTMENT  
(TYP)

EXISTING  
PILE

UNDERDRAIN PIPE  
(12 INCHES)

SPECIAL PROVISION  
(GEOMEMBRANE LINER)

SPECIAL PROVISION  
(COARSE AGGREGATE  
BACKFILL)

PAVEMENT  
MARKING  
EDGE LINE

PAVED SHOULDER

1" - 4"

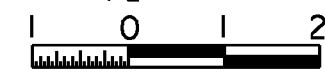
WEARING COURSE (1-2 LIFTS)

INTERMEDIATE COURSE  
AND / OR  
BASE COURSE

GRADED  
SHOULDER

**EARTHWORK TYPICAL SECTION**

SCALE 1/2" = 1'-0"

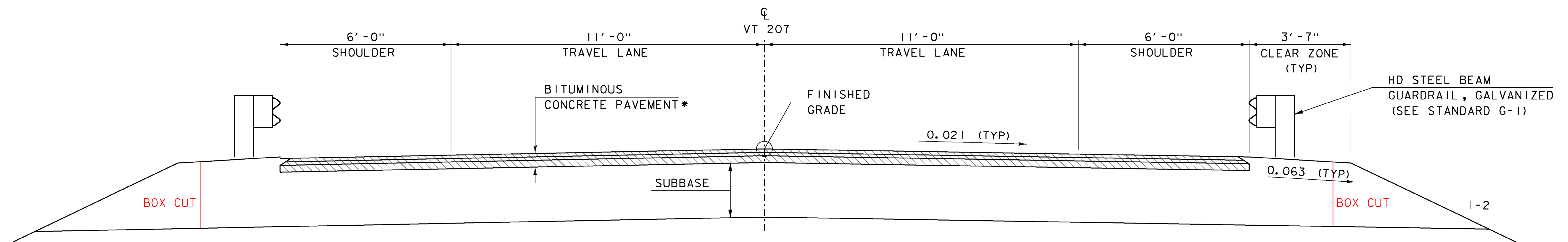


- \* 1 1/2" SUPERPAVE BITUMINOUS CONCRETE PAVEMENT, TYPE IIIS
- 1 1/2" SUPERPAVE BITUMINOUS CONCRETE PAVEMENT, TYPE IIIS
- 3" SUPERPAVE BITUMINOUS CONCRETE PAVEMENT, TYPE IIIS
- 24" SUBBASE OF GRAVEL

**SAFETY EDGE DETAIL**

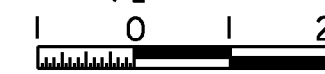
NOT TO SCALE

NOTE: LEVELING COURSE MAY INCLUDE THE "SAFETY EDGE"  
AT THE CONTRACTOR'S CHOICE.



**ROADWAY TYPICAL SECTION**

SCALE 1/2" = 1'-0"



PROJECT NAME: HIGHGATE  
PROJECT NUMBER: STP 0297(8)

FILE NAME: Str/s10c218typ.dgn  
PROJECT LEADER: K. HIGGINS  
DESIGNED BY: J. SALVATORI  
TYPICAL SECTIONS - 1

PLOT DATE: 24-JAN-2013  
DRAWN BY: J. SALVATORI  
CHECKED BY: W. LAMMER  
SHEET 6 OF 20