

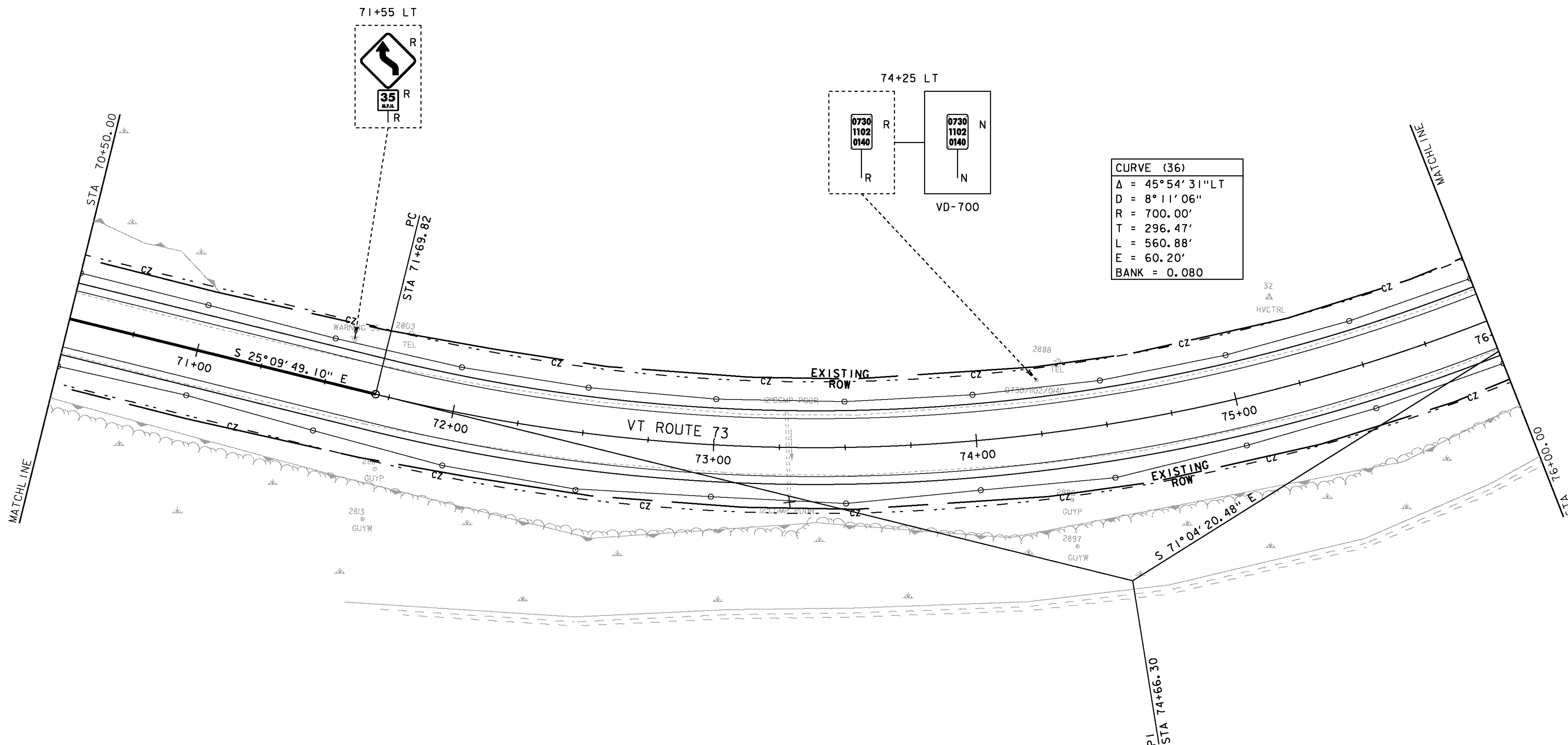
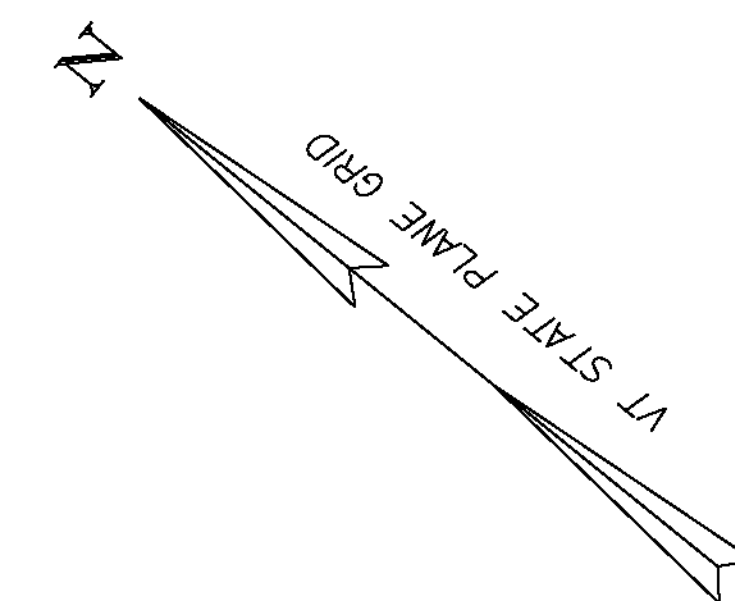
DURABLE 4 INCH WHITE LINE (SEE OPTION AA)
 DURABLE 4 INCH YELLOW LINE (SEE OPTION BB)
 STA 70+50 TO 76+00 RT & LT

646.602 TEMPORARY 4 INCH WHITE LINE, PAINT
 646.612 TEMPORARY 4 INCH YELLOW LINE, PAINT
 STA 70+50 TO 76+00 RT & LT

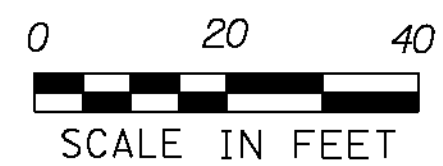
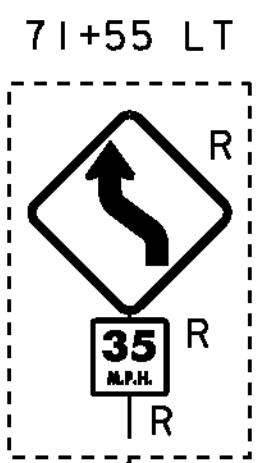
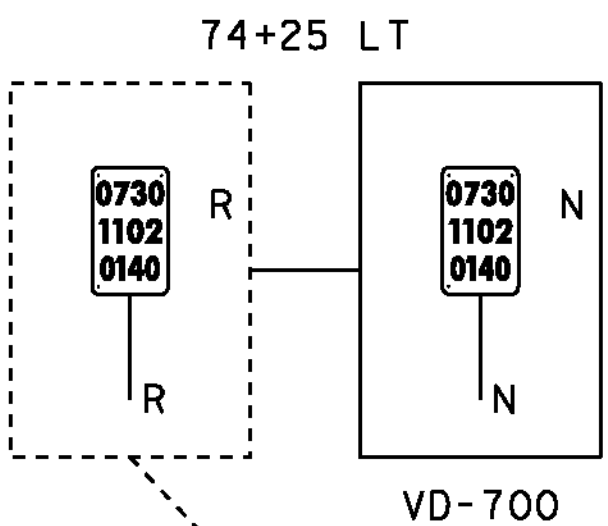
675.20 TRAFFIC SIGN, TYPE A
 STA 74+25 LT

675.341 SQUARE TUBE SIGN POST AND ANCHOR
 STA 74+25 LT

675.50 REMOVING SIGNS
 STA 71+55 LT (2)
 STA 74+25 LT



CURVE (36)	
Δ	= 45°54'31"LT
D	= 8°11'06"
R	= 700.00'
T	= 296.47'
L	= 560.88'
E	= 60.20'
BANK	= 0.080



SIGN LEGEND	
R	= REMOVE
S	= SALVAGE
N	= NEW
RET	= RETAIN
T&T	= THINNING & TRIMMING
B-B	= BACK TO BACK
EXISTING	-----
NEW	-----

PROJECT NAME:	SUDBURY - BRANDON	FILE NAME:	d:\0c204.bdr.dgn	PLOT DATE:	13-FEB-2013
PROJECT NUMBER:	STP 0158(3)	DESIGNED BY:	B. MCADAMS	DRAWN BY:	B. MCADAMS
LAYOUT 4I		CHECKED BY:	A. KEMPTON		
				SHEET	75 OF 137