

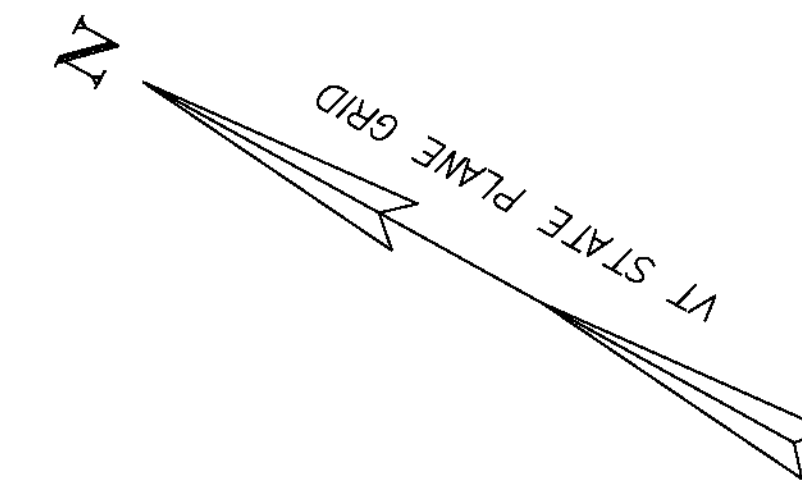
DURABLE 4 INCH WHITE LINE (SEE OPTION AA)
 DURABLE 4 INCH YELLOW LINE (SEE OPTION BB)
 STA 48+50 TO 54+00 RT & LT

646.602 TEMPORARY 4 INCH WHITE LINE, PAINT
 646.612 TEMPORARY 4 INCH YELLOW LINE, PAINT
 STA 48+50 TO 54+00 RT & LT

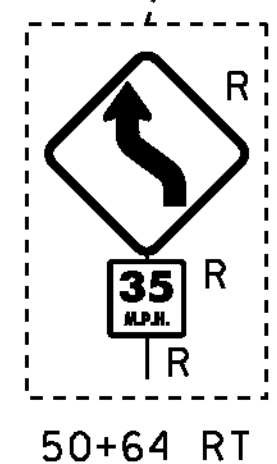
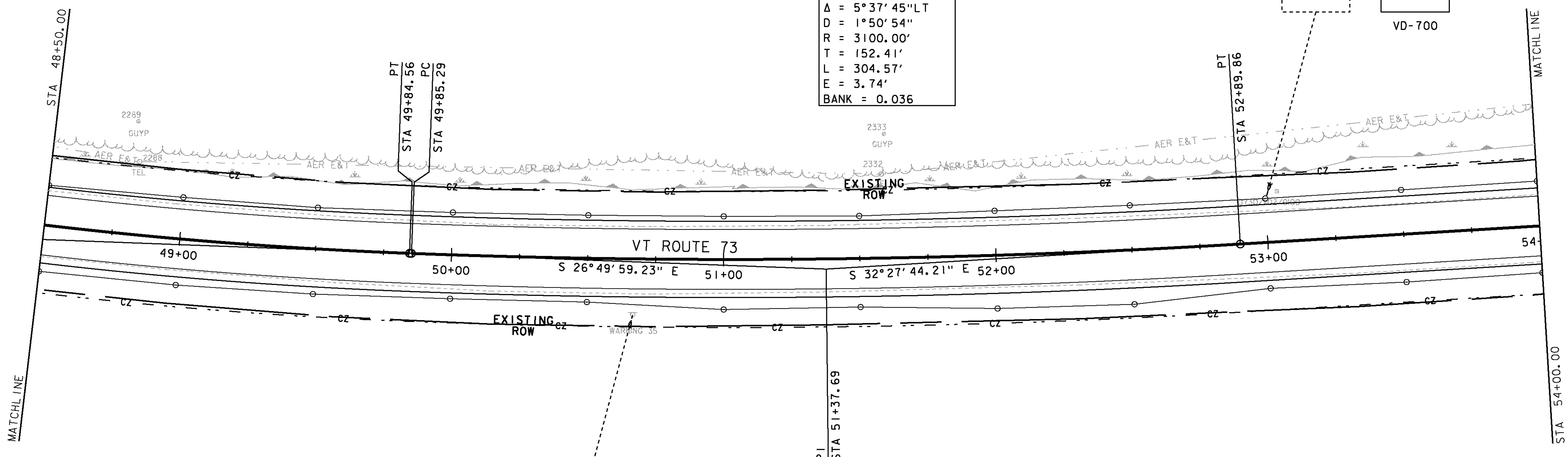
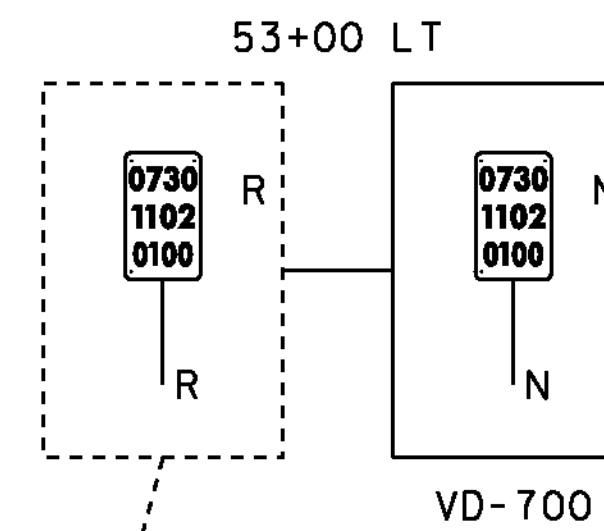
675.20 TRAFFIC SIGN, TYPE A
 STA 53+00 LT

675.341 SQUARE TUBE SIGN POST AND ANCHORS
 STA 53+00 LT

675.50 REMOVING SIGNS
 STA 50+64 RT (2)
 STA 53+00 LT



CURVE (32)	
Δ	= 5°37'45"LT
D	= 1°50'54"
R	= 3100.00'
T	= 152.41'
L	= 304.57'
E	= 3.74'
BANK	= 0.036



SIGN LEGEND	
R	= REMOVE
S	= SALVAGE
N	= NEW
RET	= RETAIN
T&T	= THINNING & TRIMMING
B-B	= BACK TO BACK
EXISTING	-----
NEW	-----

PROJECT NAME:	SUDBURY - BRANDON	FILE NAME:	d:\0c204.bdr.dgn	PLOT DATE:	13-FEB-2013
PROJECT NUMBER:	STP 0158(3)	PROJECT LEADER:	K. UPMAL	DRAWN BY:	B. MCADAMS
		DESIGNED BY:	B. MCADAMS	CHECKED BY:	A. KEMPTON
		LAYOUT 37		SHEET	67 OF 137