

613.10 STONE FILL, TYPE I
 STA 123+50 TO 127+00 LT

DURABLE 4 INCH WHITE LINE (SEE OPTION AA)
 DURABLE 4 INCH YELLOW LINE (SEE OPTION BB)
 STA 123+50 TO 129+00 RT & LT

646.602 TEMPORARY 4 INCH WHITE LINE, PAINT
 646.612 TEMPORARY 4 INCH YELLOW LINE, PAINT
 STA 123+50 TO 129+00 RT & LT

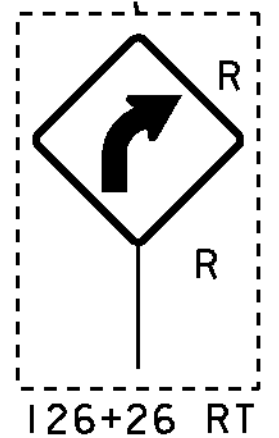
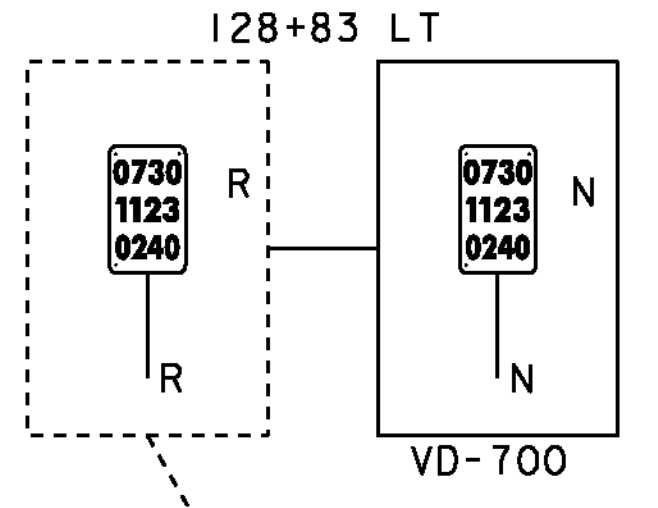
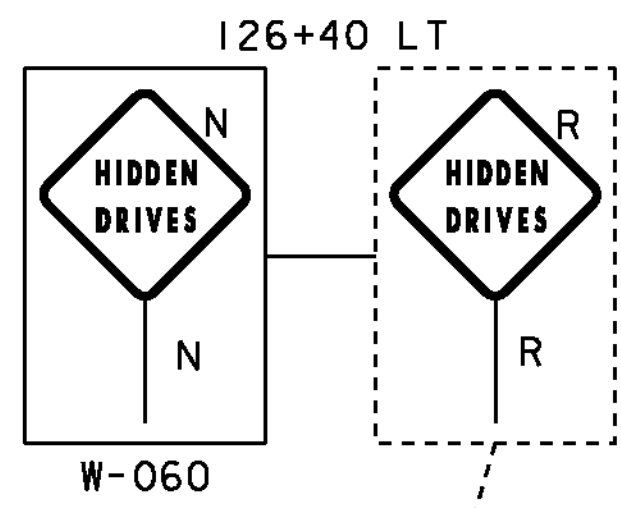
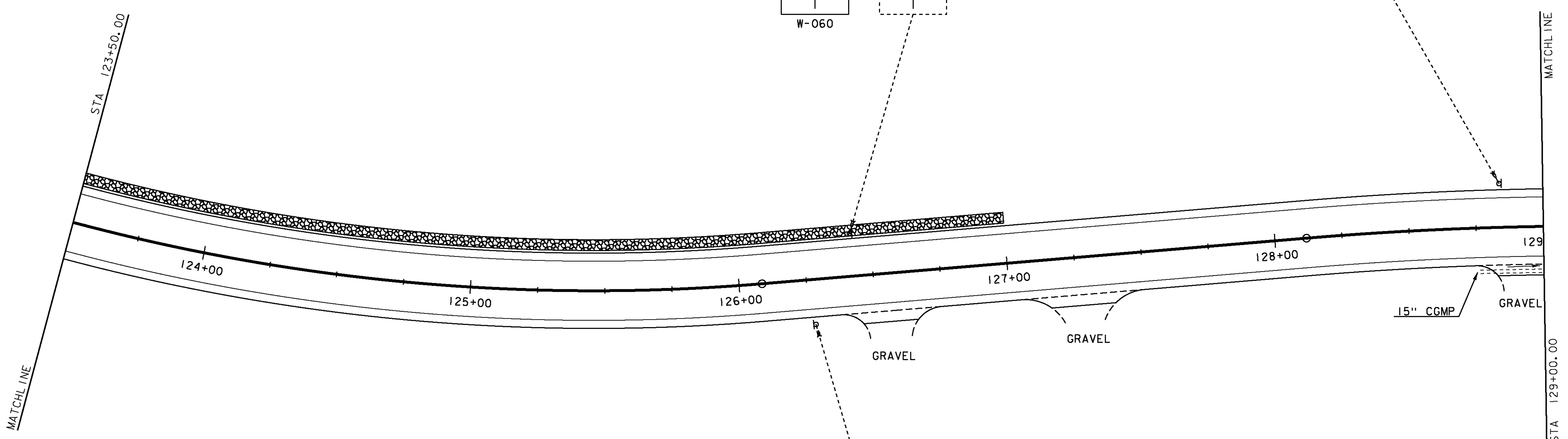
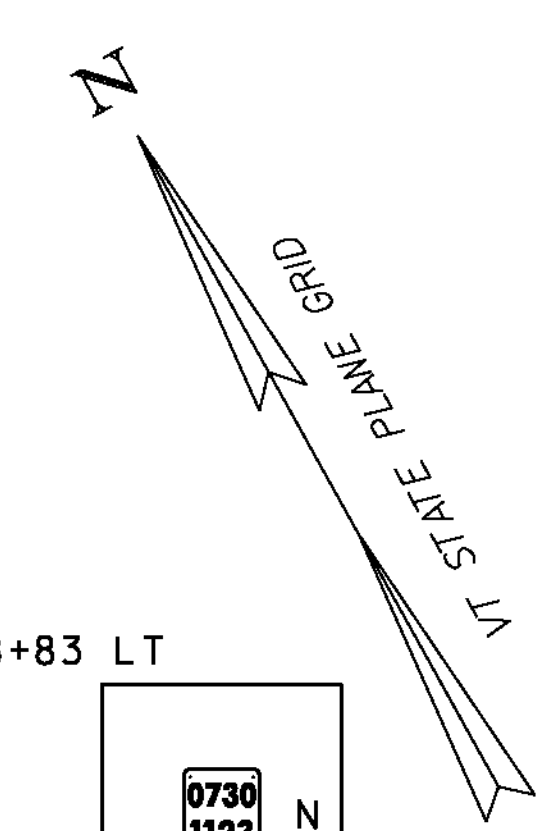
649.31 GEOTEXTILE UNDER STONE FILL
 STA 123+50 TO 127+00 LT

675.20 TRAFFIC SIGN, TYPE A
 STA 126+40 LT
 STA 128+83 LT

675.341 SQUARE TUBE SIGN POST AND ANCHOR
 STA 126+40 LT
 STA 128+83 LT

675.50 REMOVING SIGNS
 STA 126+26 RT
 STA 126+40 LT
 STA 128+83 LT

900.675 SPECIAL PROVISION
 (HAND-PLACED BITUMINOUS CONCRETE MATERIAL, DRIVES)
 STA 126+56 RT
 STA 127+30 RT
 STA 128+95 RT



SIGN LEGEND

R	= REMOVE
S	= SALVAGE
N	= NEW
RET	= RETAIN
T&T	= THINNING & TRIMMING
B-B	= BACK TO BACK
EXISTING	-----
NEW	-----

PROJECT NAME:	SUDBURY - BRANDON	FILE NAME:	d10c204.bdr.dgn	PLOT DATE:	13-FEB-2013
PROJECT NUMBER:	STP 0158(3)	PROJECT LEADER:	K. UPMAL	DRAWN BY:	B. MCADAMS
		DESIGNED BY:	B. MCADAMS	CHECKED BY:	A. KEMPTON
		LAYOUT	20	SHEET	38 OF 137