

DURABLE 4 INCH WHITE LINE (SEE OPTION AA)
 DURABLE 4 INCH YELLOW LINE (SEE OPTION BB)
 STA 85+00 TO 90+50 RT & LT

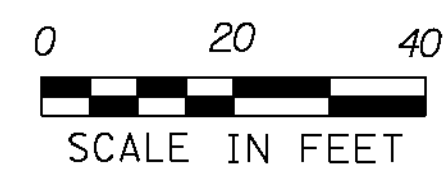
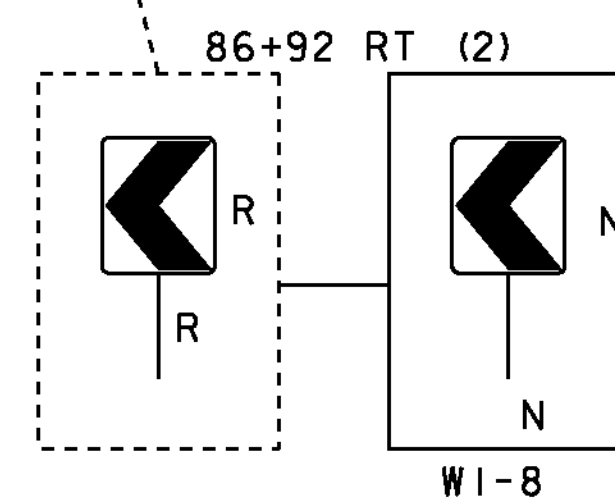
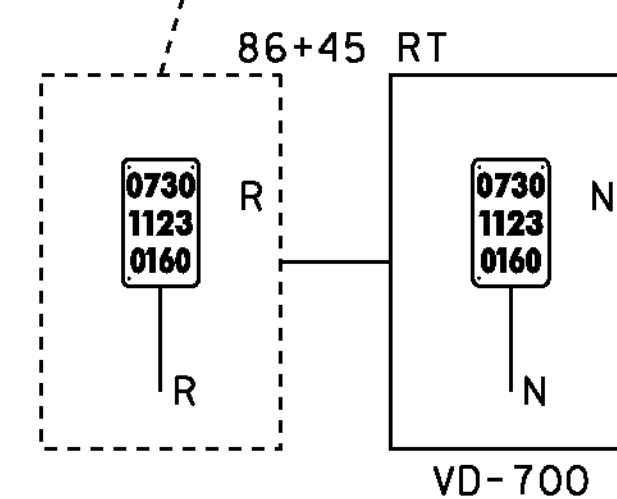
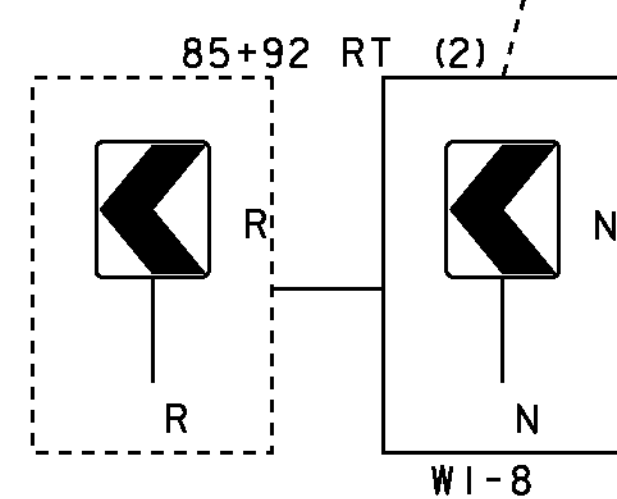
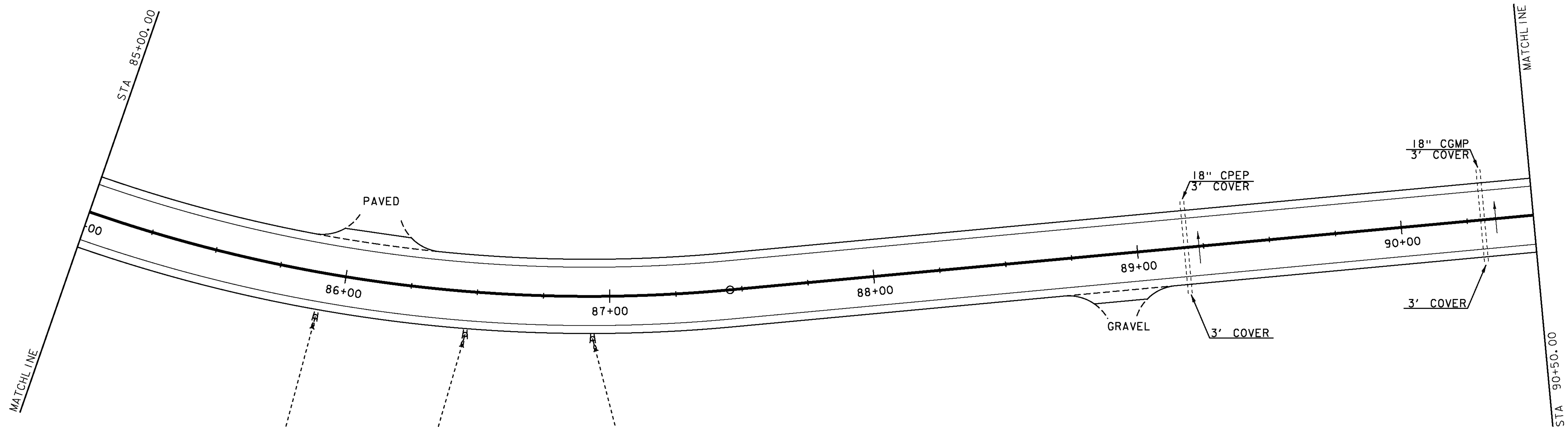
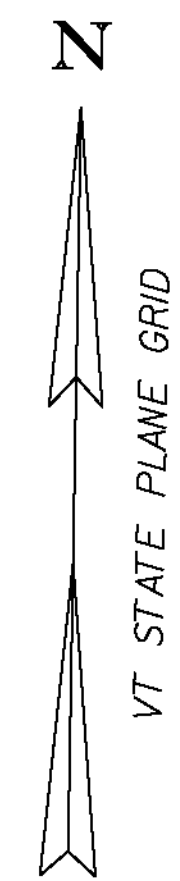
646.602 TEMPORARY 4 INCH WHITE LINE, PAINT
 646.612 TEMPORARY 4 INCH YELLOW LINE, PAINT
 STA 85+00 TO 90+50 RT & LT

675.20 TRAFFIC SIGN, TYPE A
 STA 85+92 RT (2)
 STA 86+45 RT
 STA 86+92 RT (2)

675.341 SQUARE TUBE SIGN POST AND ANCHOR
 STA 85+92 RT (2)
 STA 86+45 RT
 STA 86+92 RT (2)

675.50 REMOVING SIGNS
 STA 85+92 RT (2)
 STA 86+45 RT
 STA 86+92 RT (2)

900.675 SPECIAL PROVISION
 (HAND-PLACED BITUMINOUS CONCRETE MATERIAL, DRIVES)
 STA 86+11 LT
 STA 88+92 RT



SIGN LEGEND

R	= REMOVE
S	= SALVAGE
N	= NEW
RET	= RETAIN
T&T	= THINNING & TRIMMING
B-B	= BACK TO BACK
EXISTING	-----
NEW	_____

PROJECT NAME: SUDBURY - BRANDON
 PROJECT NUMBER: STP 0158(3)

FILE NAME: dl0c204_bdr.dgn
 PROJECT LEADER: K. UPMAL
 DESIGNED BY: B. MCADAMS
 LAYOUT 13

PLOT DATE: 13-FEB-2013
 DRAWN BY: B. MCADAMS
 CHECKED BY: A. KEMPTON
 SHEET 31 OF 137