

613.10 STONE FILL, TYPE I
STA 68+26 TO 68+50 LT

DURABLE 4 INCH WHITE LINE (SEE OPTION AA)
DURABLE 4 INCH YELLOW LINE (SEE OPTION BB)
STA 63+00 TO 68+50 RT & LT

646.602 TEMPORARY 4 INCH WHITE LINE, PAINT
646.612 TEMPORARY 4 INCH YELLOW LINE, PAINT
STA 63+00 TO 68+50 RT & LT

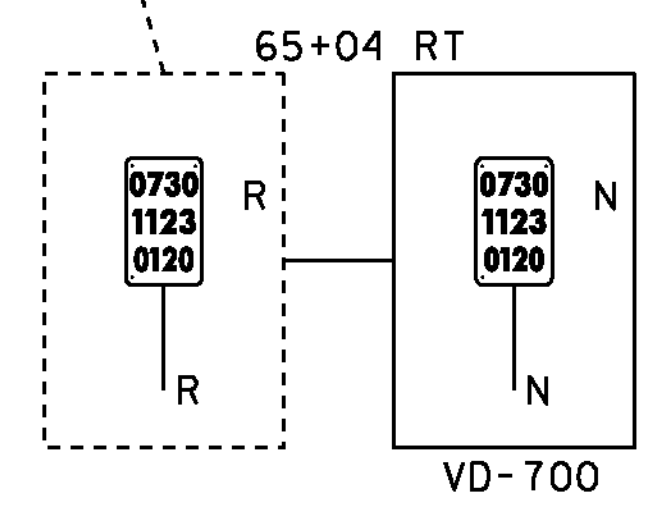
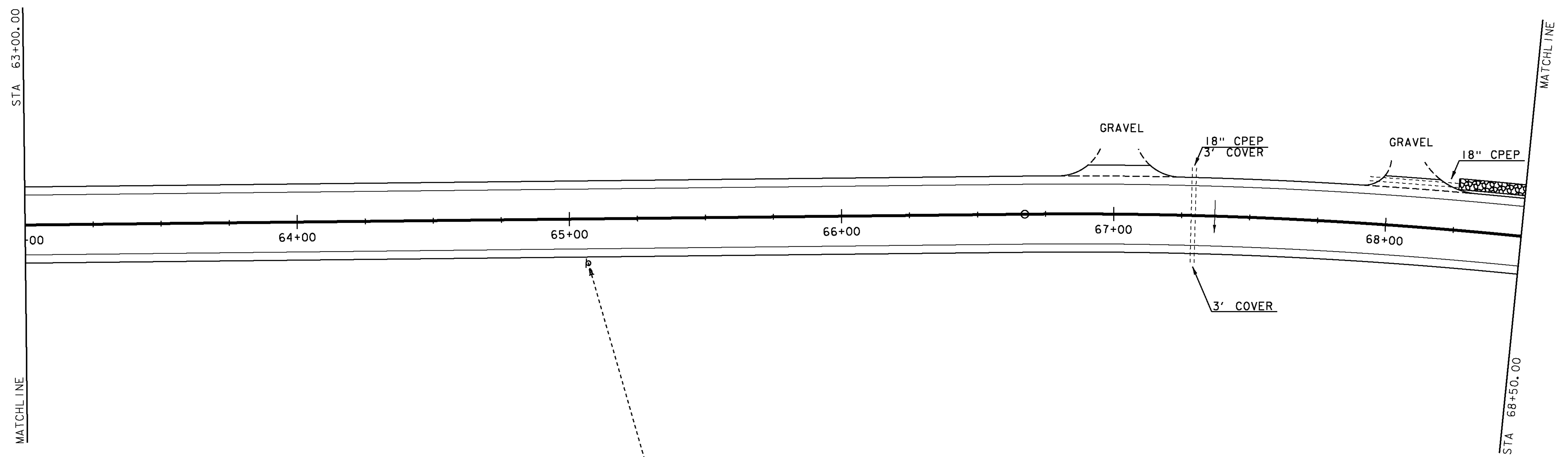
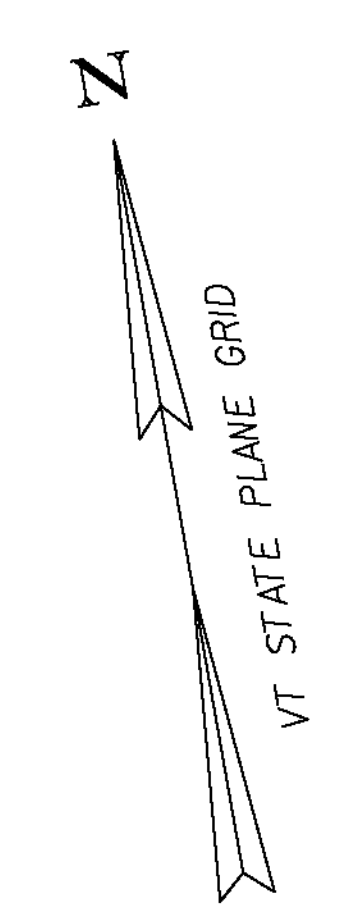
649.31 GEOTEXTILE UNDER STONE FILL
STA 68+26 TO 68+50 LT

675.20 TRAFFIC SIGN, TYPE A
STA 65+04 RT

675.341 SQUARE TUBE SIGN POST AND ANCHOR
STA 65+04 RT

675.50 REMOVING SIGNS
STA 65+04 RT

900.675 SPECIAL PROVISION
(HAND-PLACED BITUMINOUS CONCRETE MATERIAL, DRIVES)
STA 67+02 LT
STA 68+09 LT



SIGN LEGEND

R	= REMOVE
S	= SALVAGE
N	= NEW
RET	= RETAIN
T&T	= THINNING & TRIMMING
B-B	= BACK TO BACK
EXISTING	-----
NEW	_____

PROJECT NAME:	SUDBURY - BRANDON
PROJECT NUMBER:	STP 0158(3)
FILE NAME:	d:\0c204_bdr.dgn
PROJECT LEADER:	K. UPMAL
DESIGNED BY:	B. MCADAMS
LAYOUT	9
PLOT DATE:	13-FEB-2013
DRAWN BY:	B. MCADAMS
CHECKED BY:	A. KEMPTON
SHEET	27 OF 137