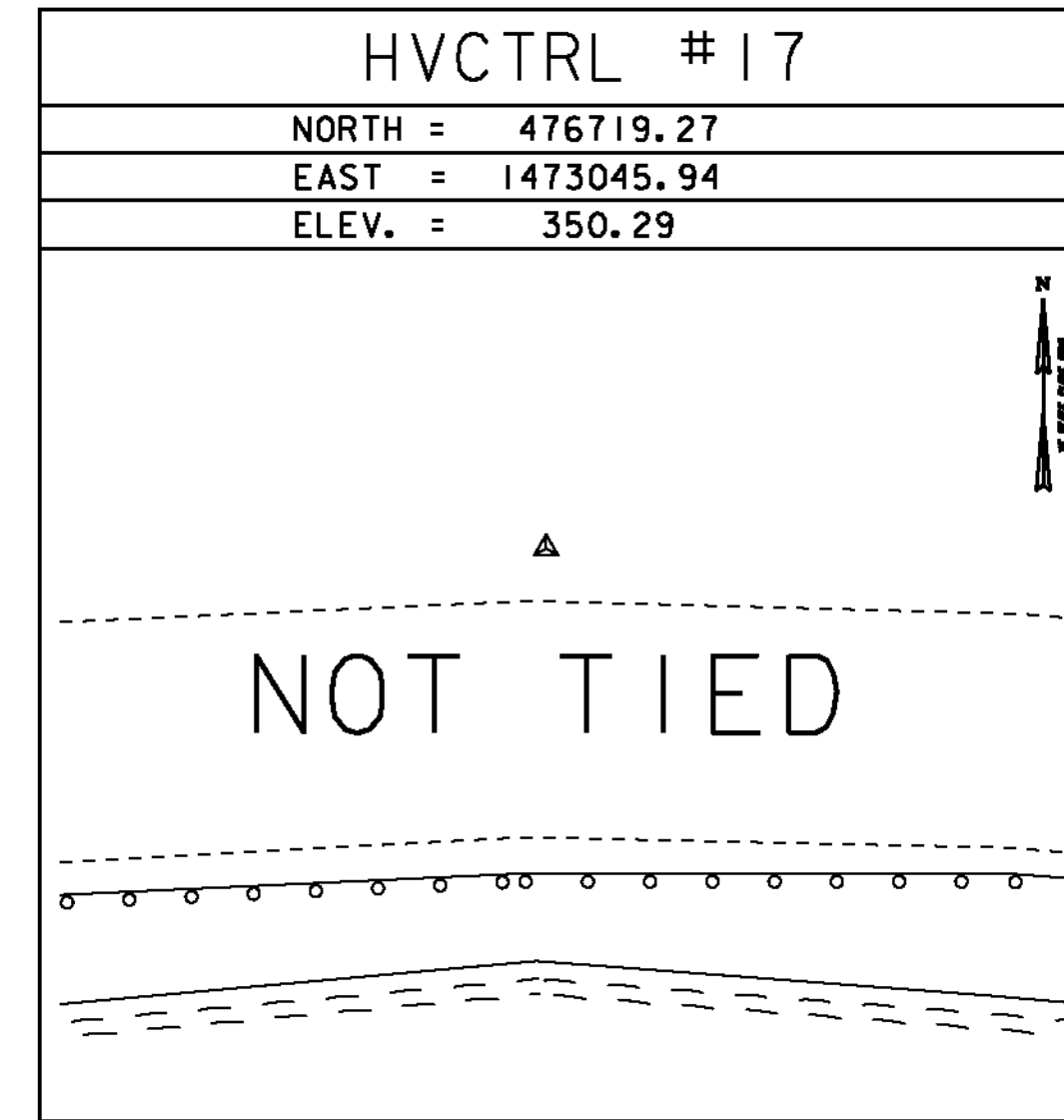
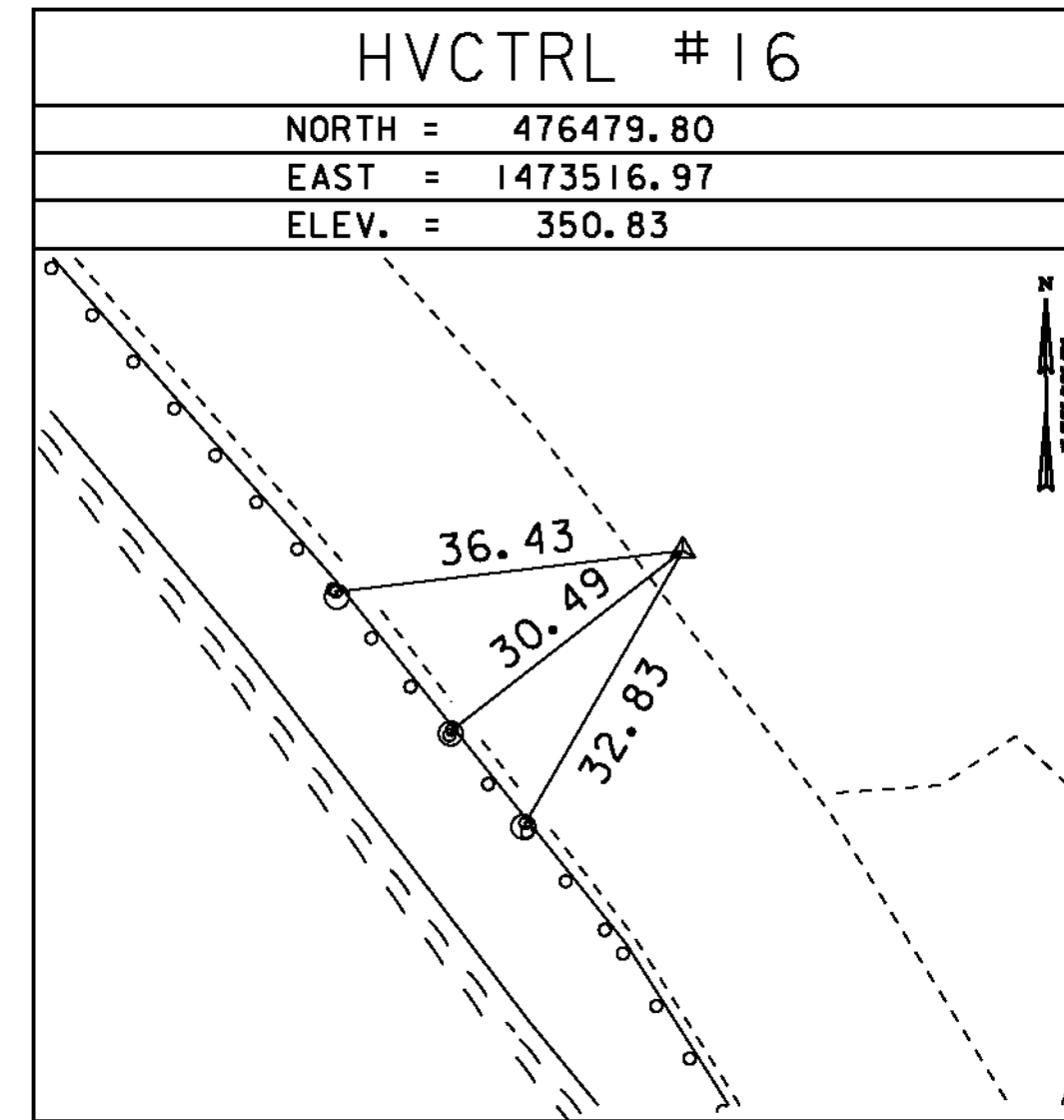
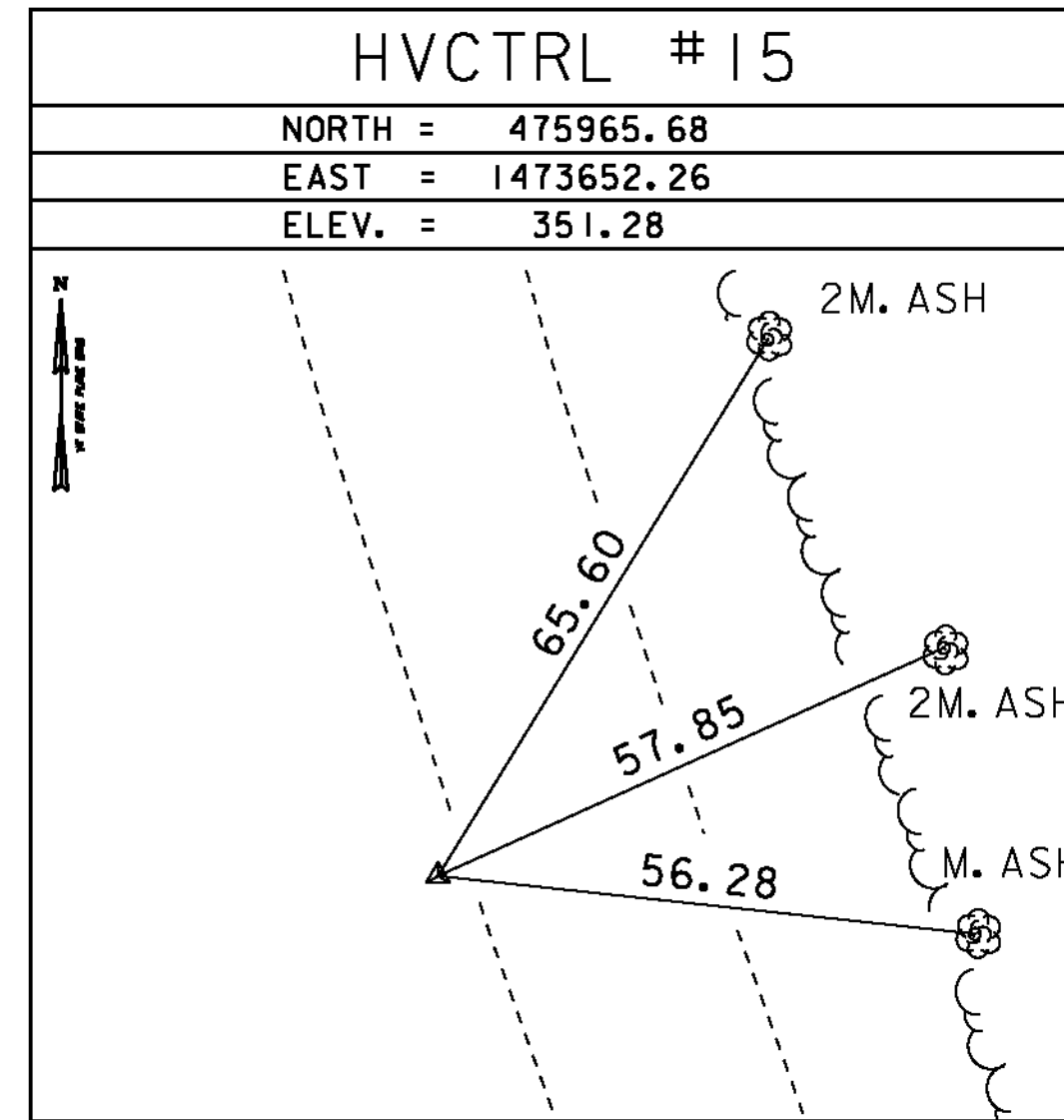
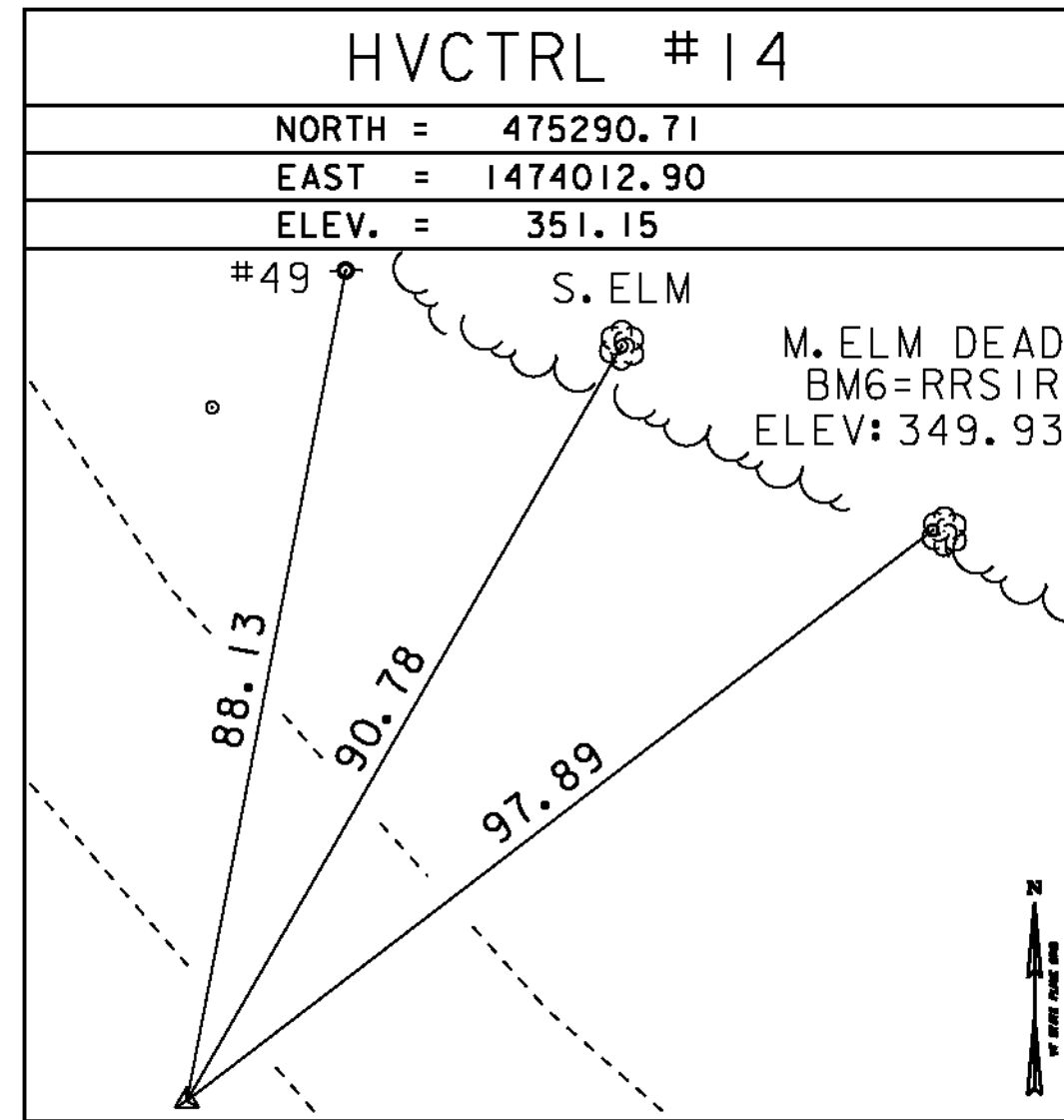
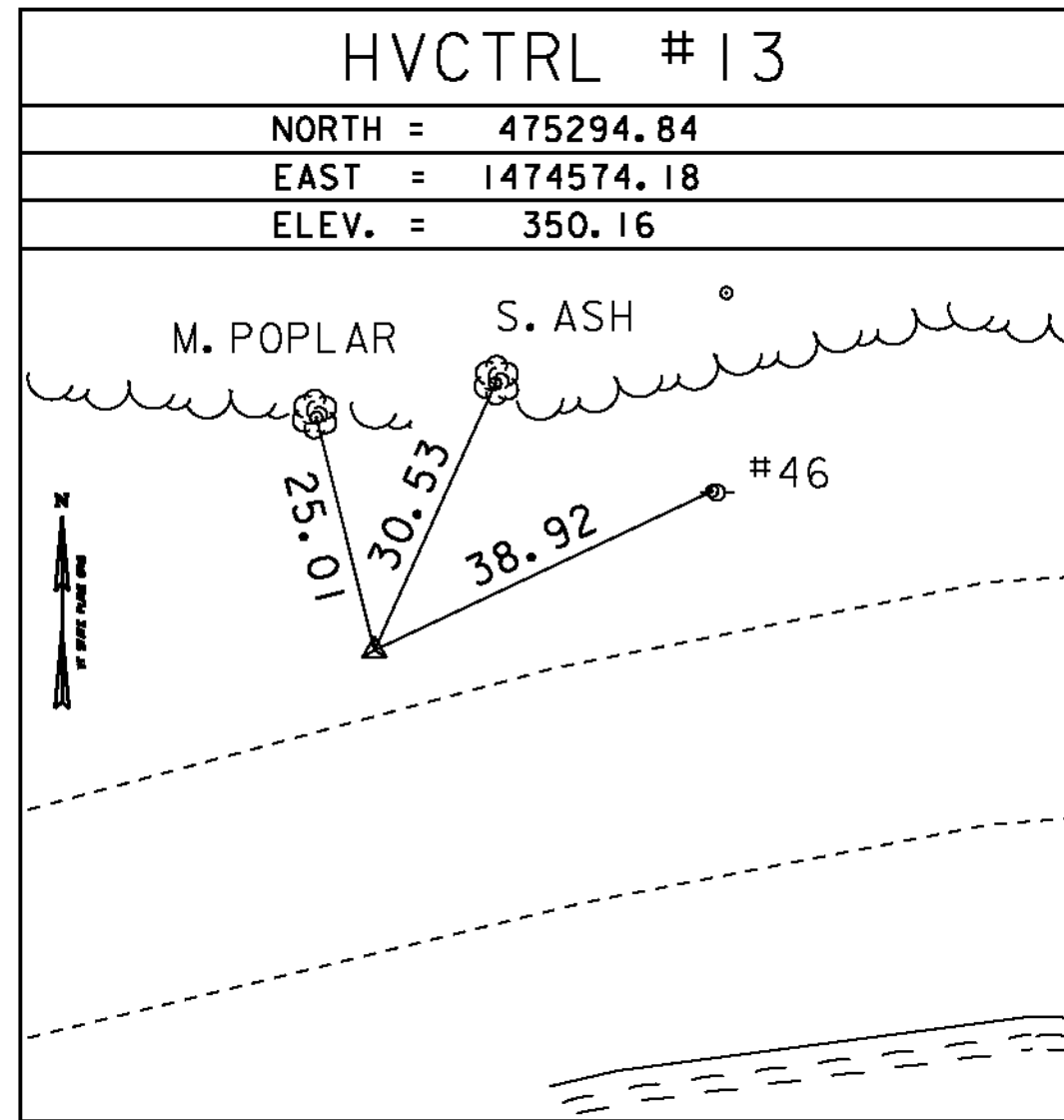
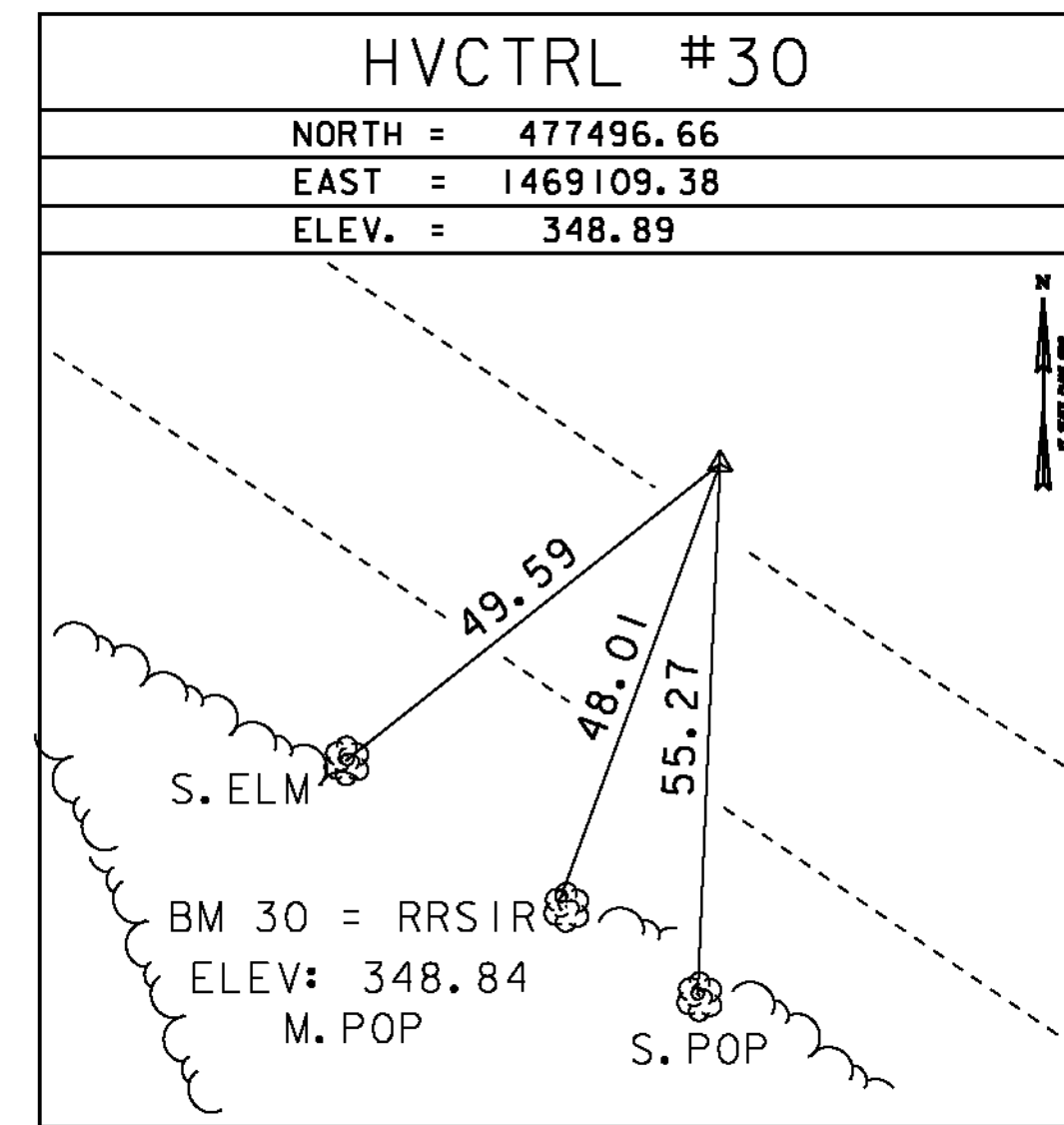
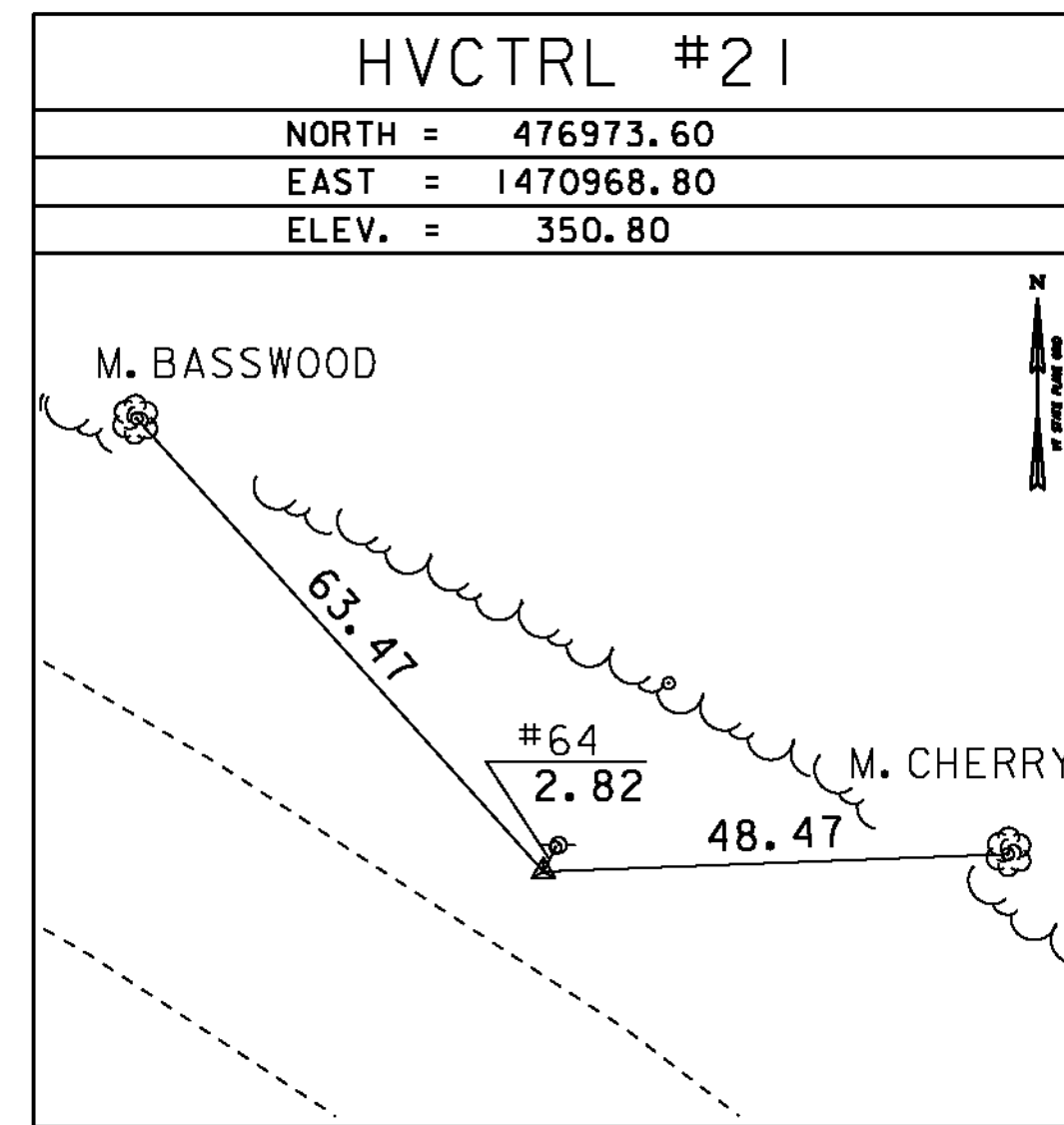
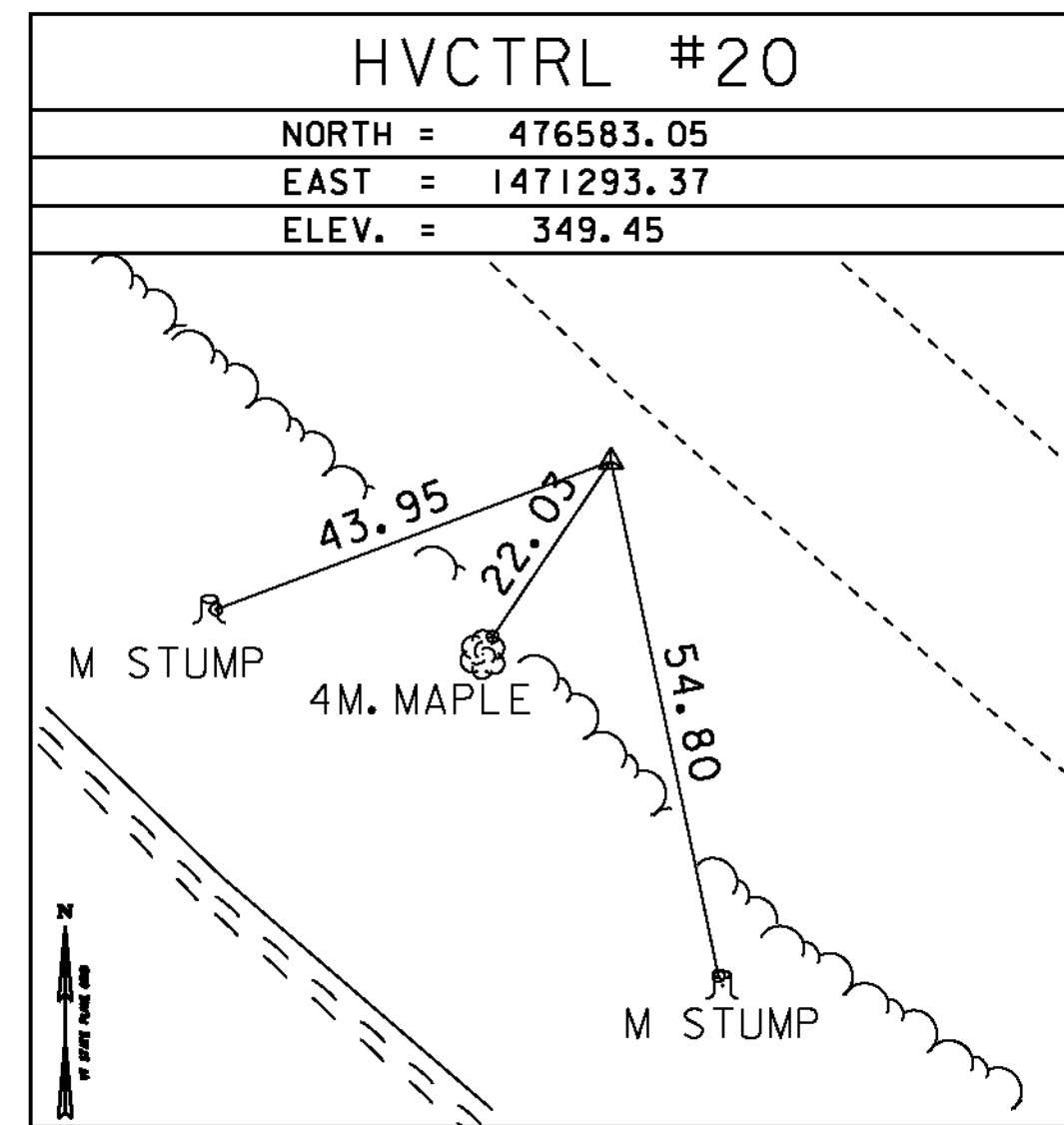
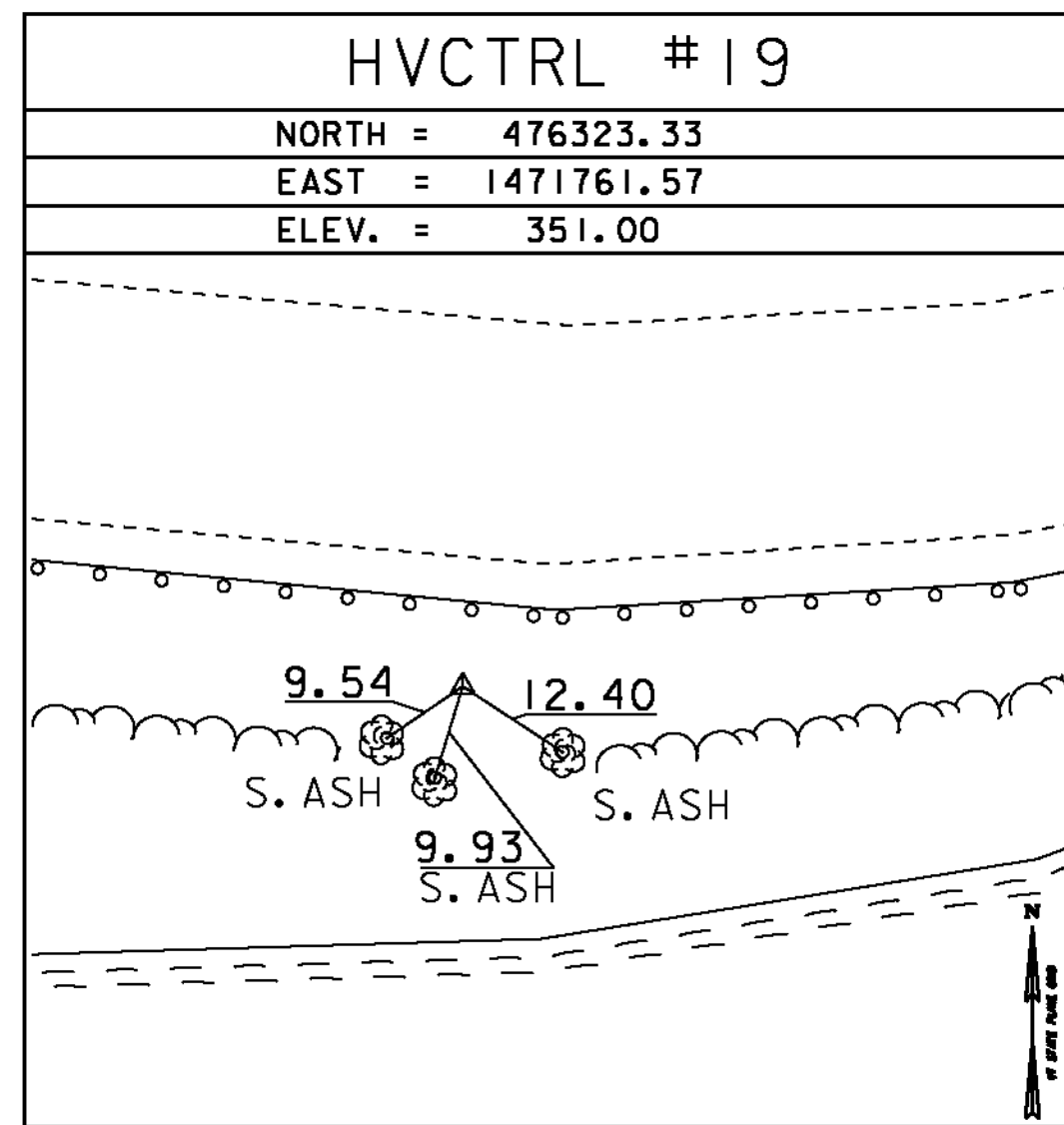
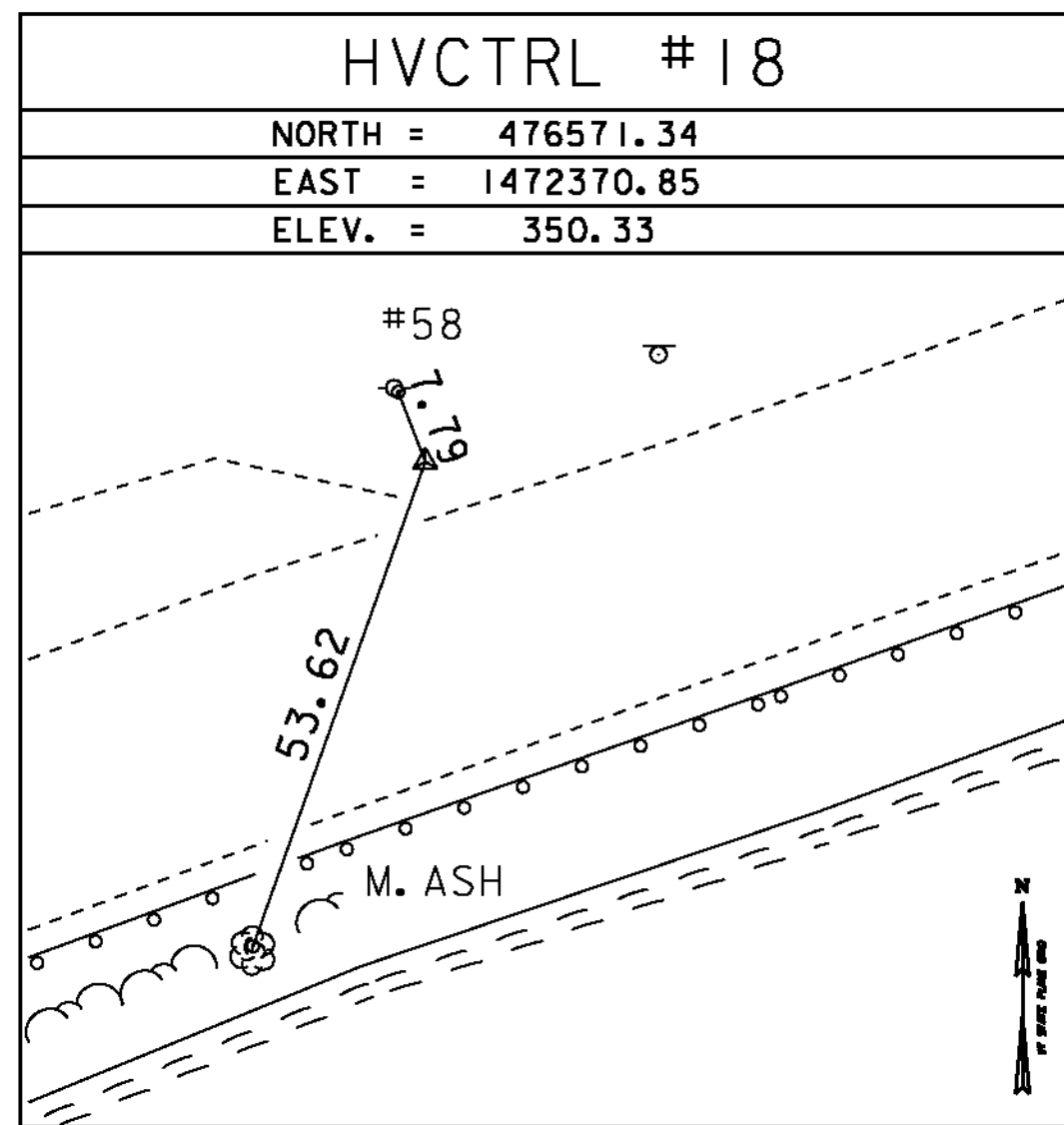


TRAVERSE TIES



TRAVERSE TIES



ALIGNMENT TIES

NORTH =
EAST =
ELEV. =

NORTH =
EAST =
ELEV. =

NORTH =
EAST =
ELEV. =

NORTH =
EAST =
ELEV. =

NORTH =
EAST =
ELEV. =

DATUM	
VERTICAL	NAVD 88
HORIZONTAL	NAD 83 (96)
ADJUSTMENT	Compass

PROJECT NAME:	SUDBURY - BRANDON
PROJECT NUMBER:	STP 0158(3)
FILE NAME:	d:\0c204_+1.dgn
PROJECT LEADER:	K. UPMAL
DESIGNED BY:	B. MCADAMS
TIE SHEET	2
PLOT DATE:	13-FEB-2013
DRAWN BY:	R. BULLOCK
CHECKED BY:	B. MCADAMS
SHEET	14
OF	137