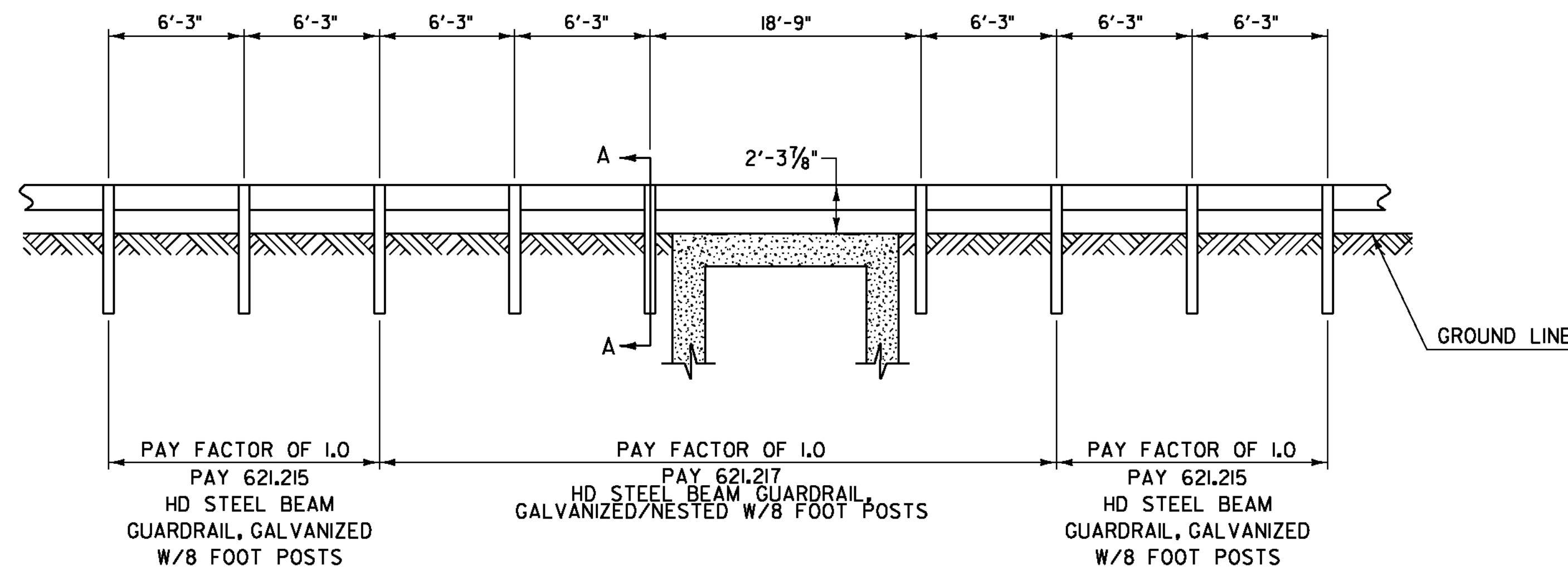
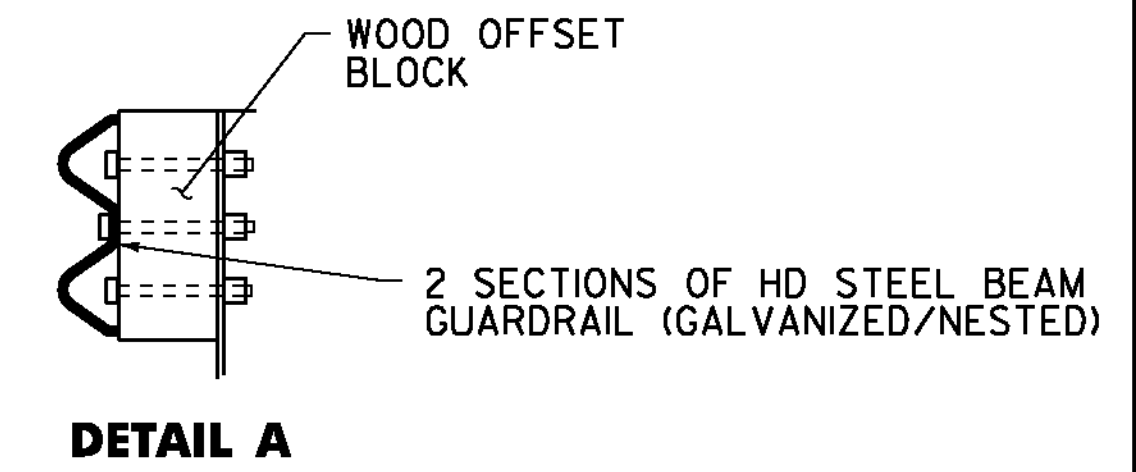
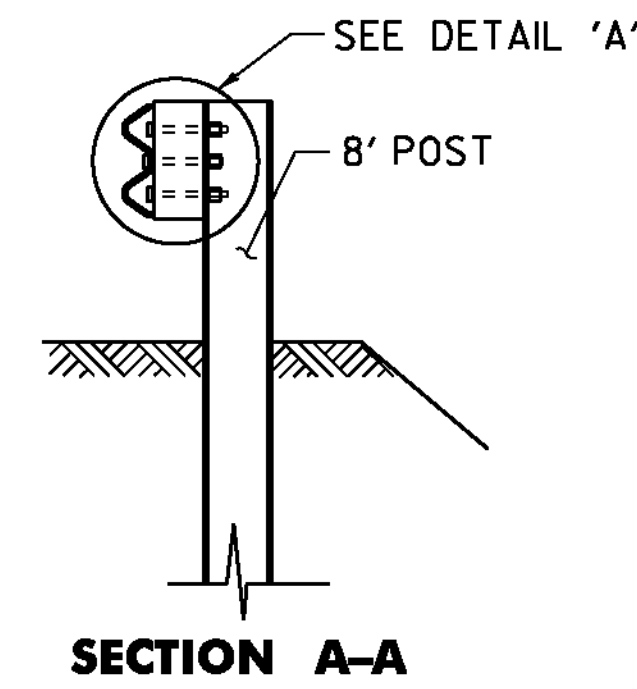


# TYPICAL SECTIONS

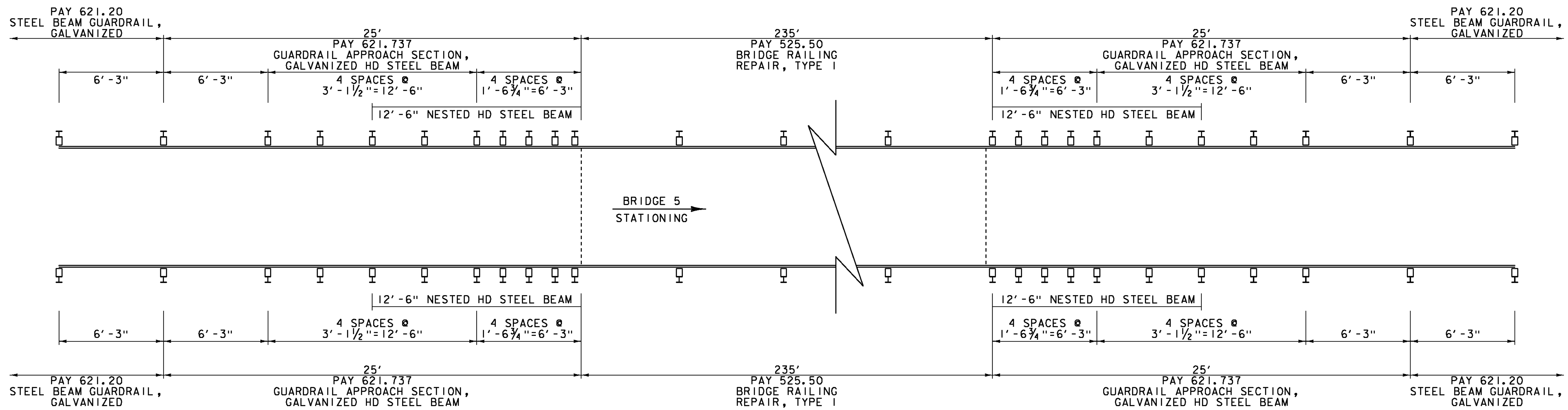


## BRIDGE 4 GUARDRAIL DETAIL

NOT TO SCALE  
SUDBURY  
STA. 44+50 TO 44+64 LT & RT



- NOTES:
1. SEE STANDARD G-1 FOR STEEL BEAM GUARDRAIL DETAILS.
  2. THIS DETAIL TO BE USED AS INDICATED ON THE LAYOUT SHEETS OR AS DIRECTED BY THE ENGINEER.



## BRIDGE 5 GUARDRAIL DETAIL

NOT TO SCALE  
SUDBURY  
STA. 142+98 - STA. 147+33

PROJECT NAME: SUDBURY-BRANDON  
PROJECT NUMBER: STP 0158(3)

FILE NAME: dl0c204.typ.dgn  
PROJECT LEADER: K. UPMAL  
DESIGNED BY: B. MCADAMS  
BRIDGE GUARDRAIL DETAILS

PLOT DATE: 13-FEB-2013  
DRAWN BY: B. MCADAMS  
CHECKED BY: A. KEMPTON  
SHEET 7 OF 137