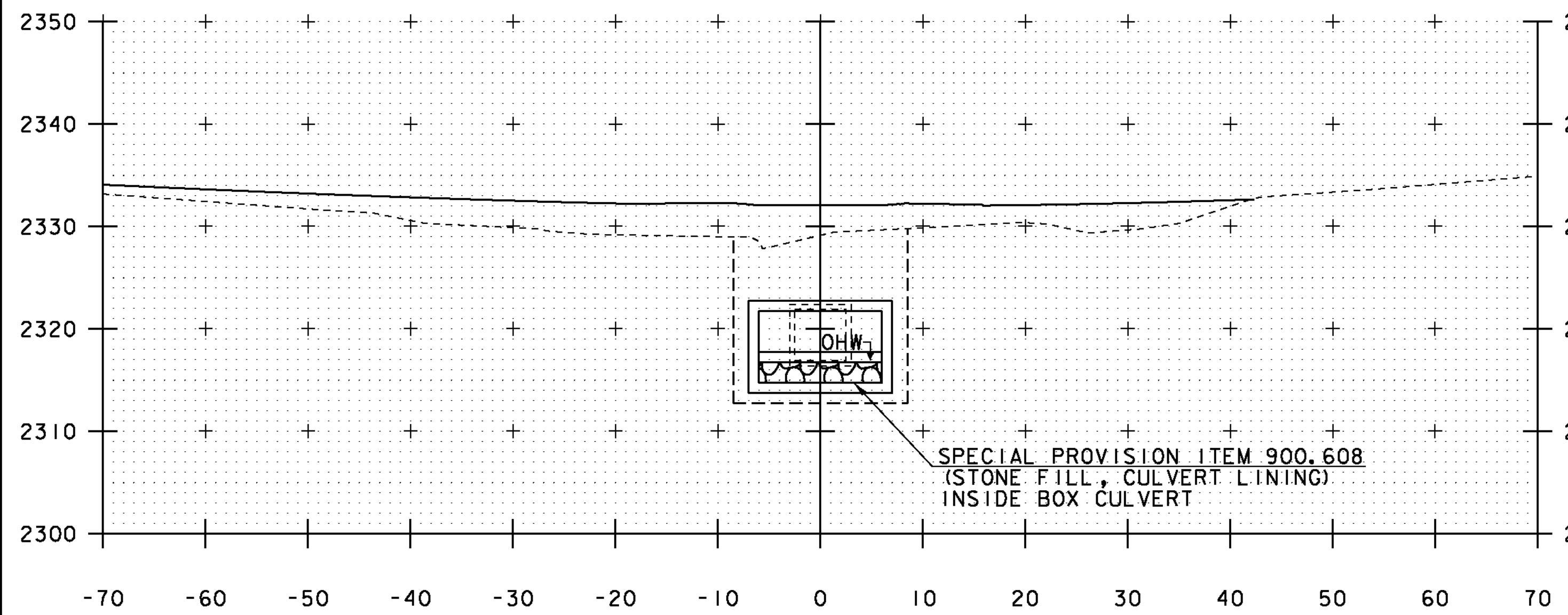
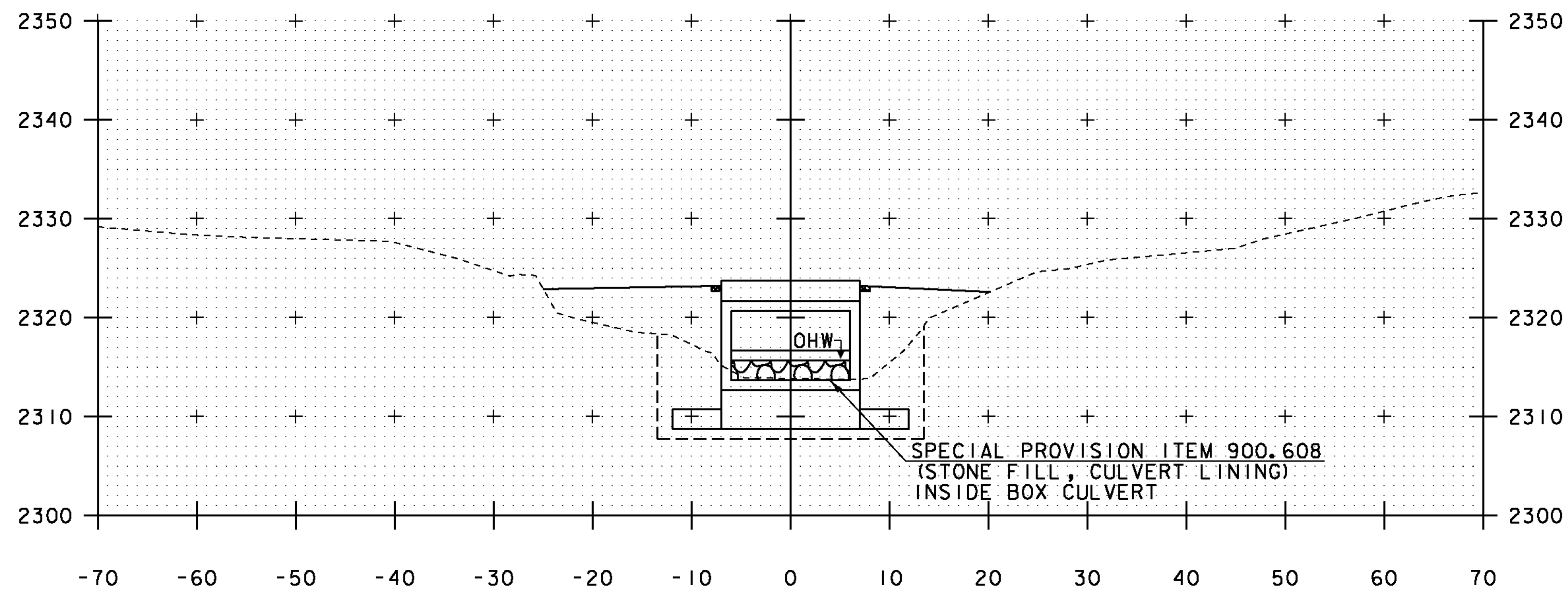


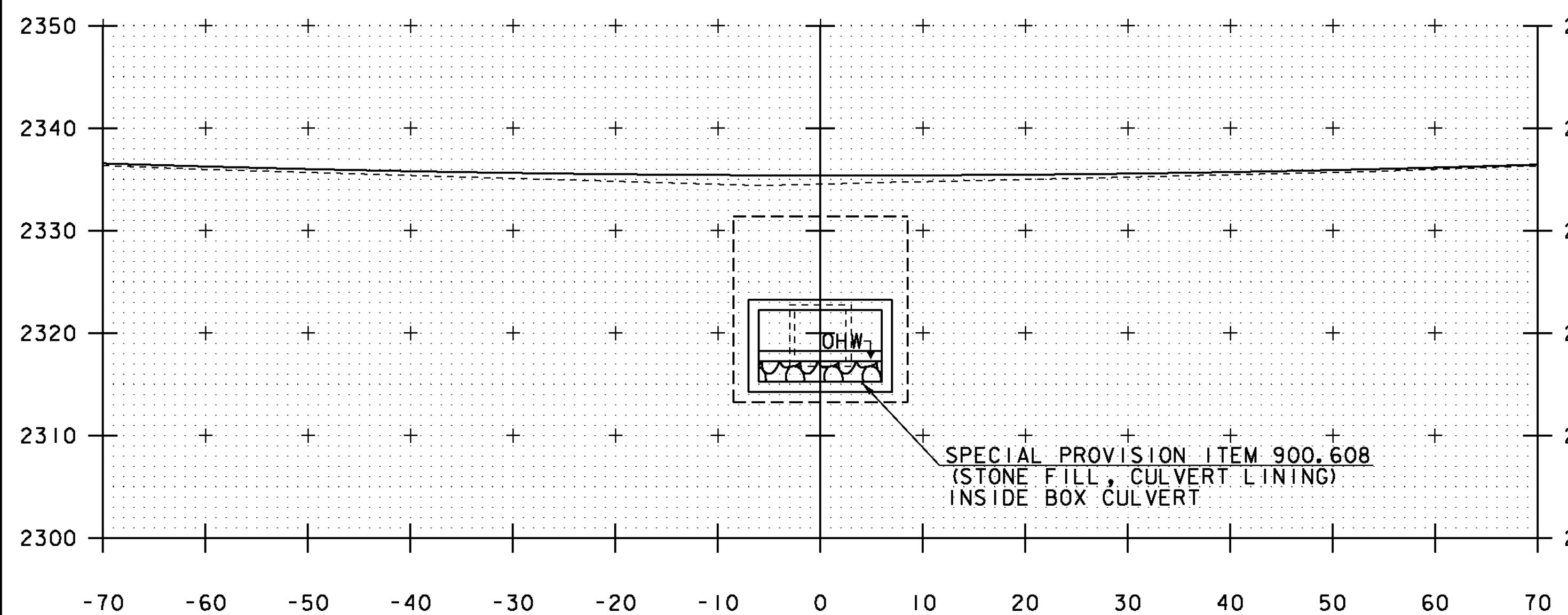
STA 11+09.20 END SPECIAL PROVISION (STONE FILL,  
CULVERT LINING)



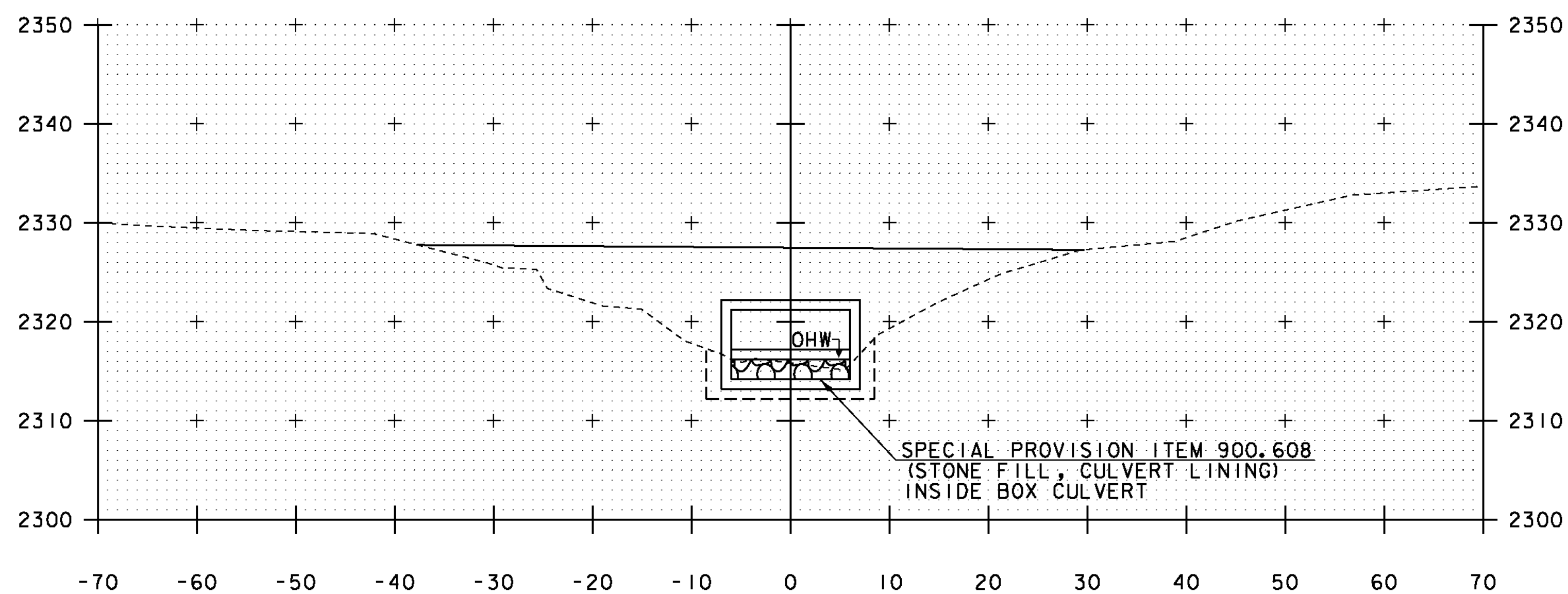
10+90



11+09  
BOX OUTLET



10+80



11+00

PROJECT NAME: SEARSBURG	
PROJECT NUMBER: STP SCR(7)	
FILE NAME: d10c198_xsec.dgn	PLOT DATE: 27-FEB-2013
PROJECT LEADER: K. UPMAL	DRAWN BY: B. MCADAMS
DESIGNED BY: B. MCADAMS	CHECKED BY: A. KEMPTON
CHANNEL CROSS SECTIONS 3	SHEET 34 OF 35

STA. 10+80 TO STA. 11+09