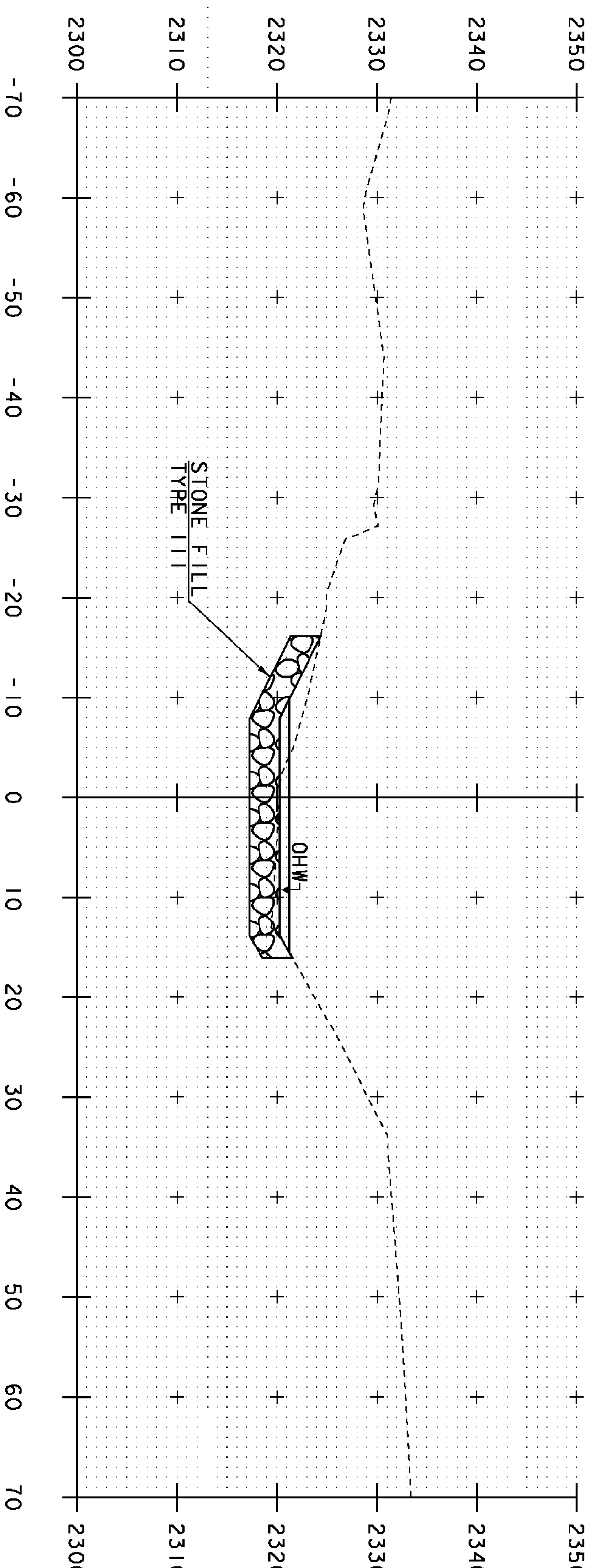
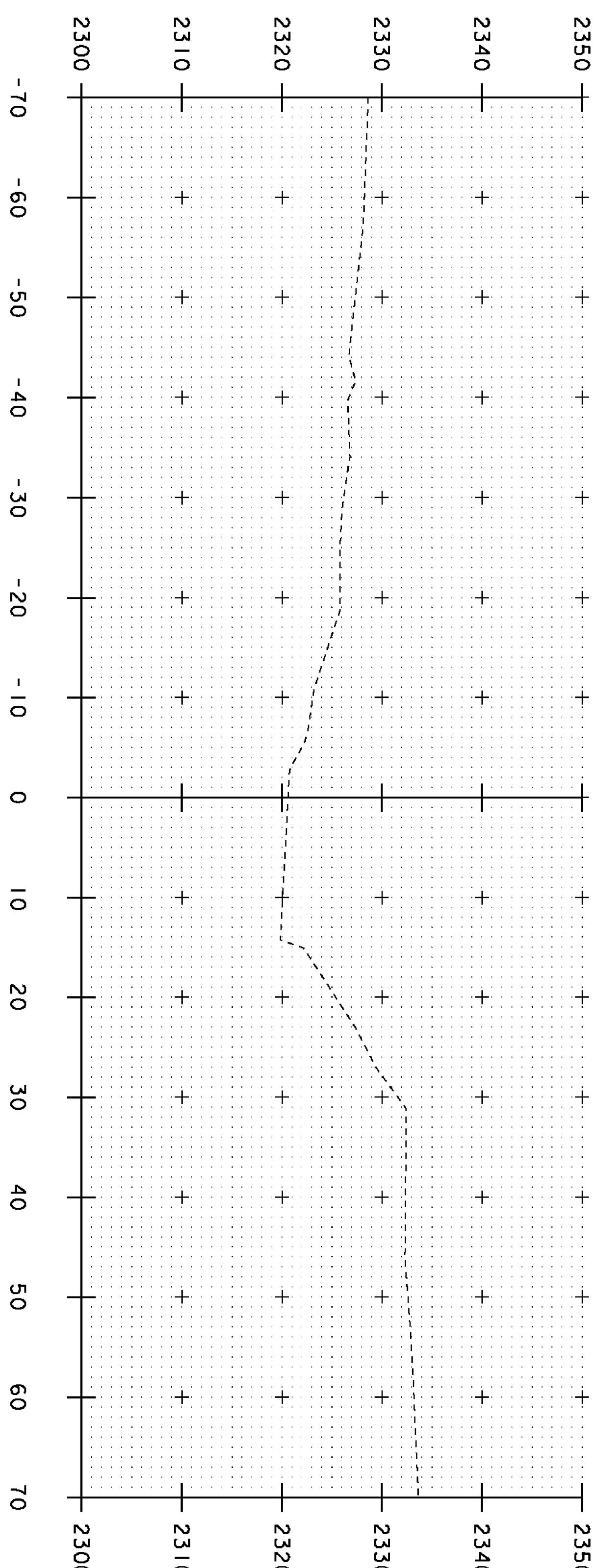


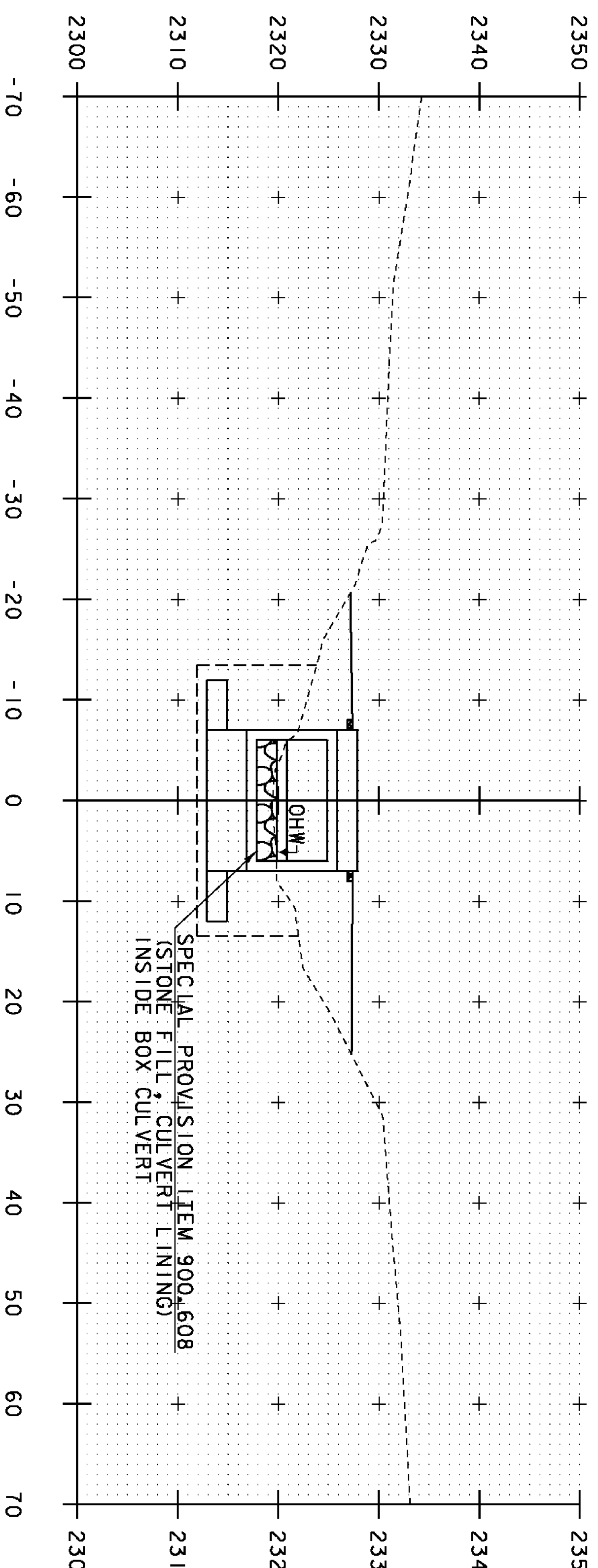
STA 10+14.40  
 BEGIN STONE FILL, TYPE 111  
 BEGIN GEOTEXTILE UNDER STONE FILL  
 BEGIN UNCLASSIFIED CHANNEL EXCAVATION



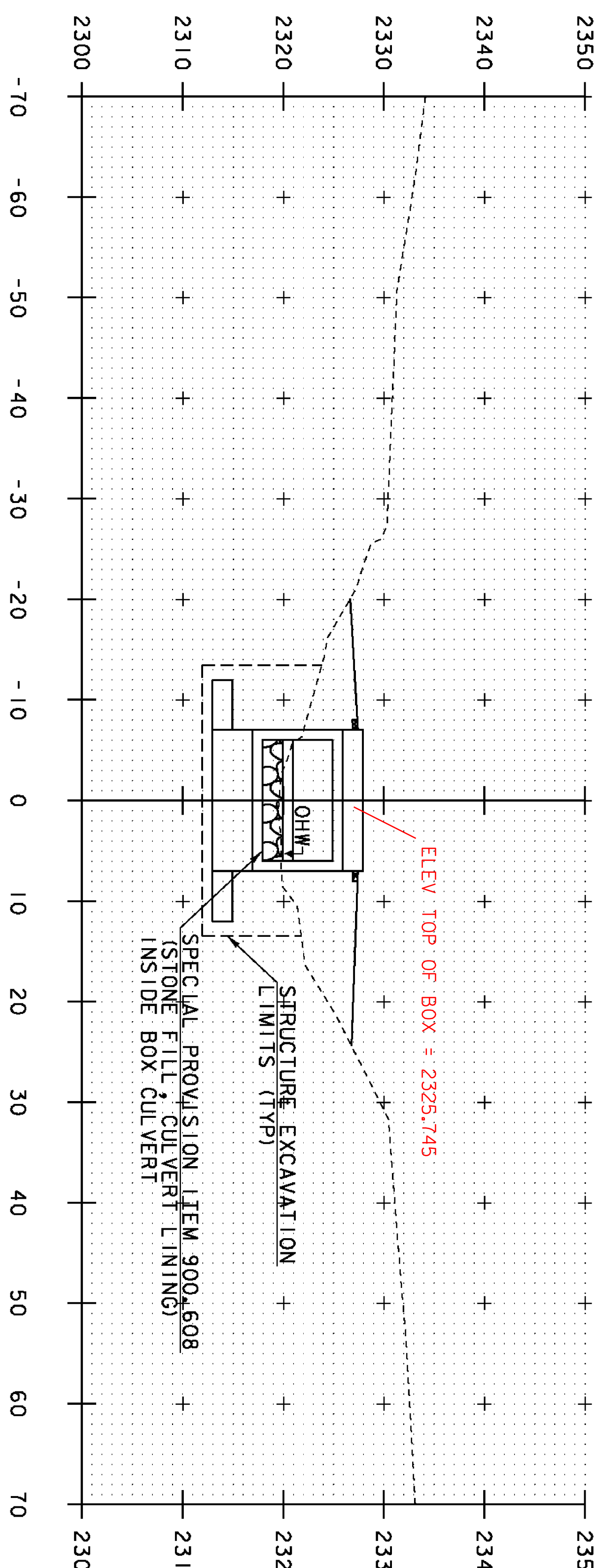
10+20



10+10



10+30



10+29  
 BOX INLET

STA 10+28.80  
 END STONE FILL, TYPE 111  
 END GEOTEXTILE UNDER STONE FILL  
 END UNCLASSIFIED CHANNEL EXCAVATION

STA 10+28.80  
 BEGIN SPECIAL PROVISION (STONE FILL,  
 CULVERT LINING)

PROJECT NAME: SEARSBURG  
 PROJECT NUMBER: STP SCRPT(7)

FILE NAME: d10c198\_xsec.dgn  
 PROJECT LEADER: K. UPVAL  
 DESIGNED BY: B. MCADAMS

PLOT DATE: 27-FEB-2013  
 DRAWN BY: B. MCADAMS  
 CHECKED BY: A. KEMPTON  
 SHEET 32 OF 35