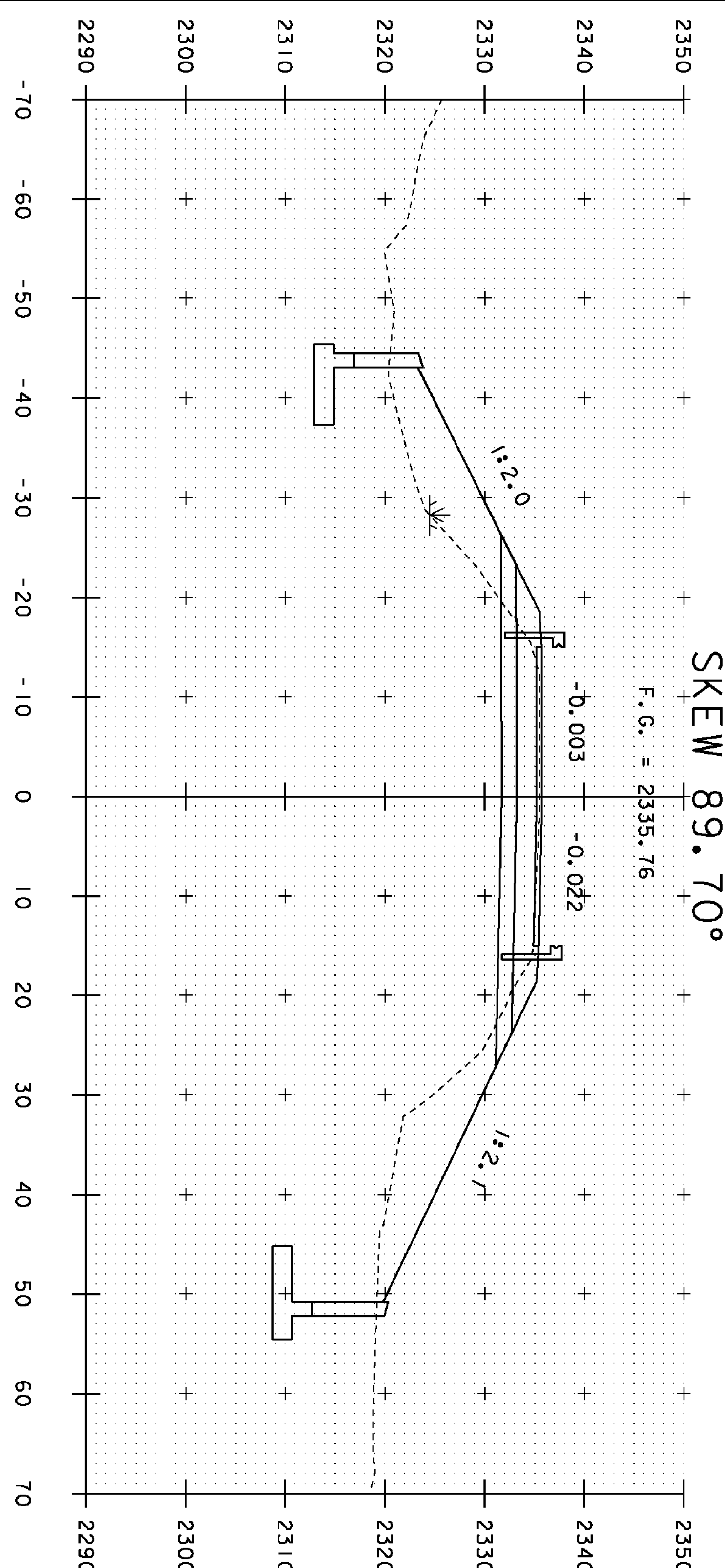
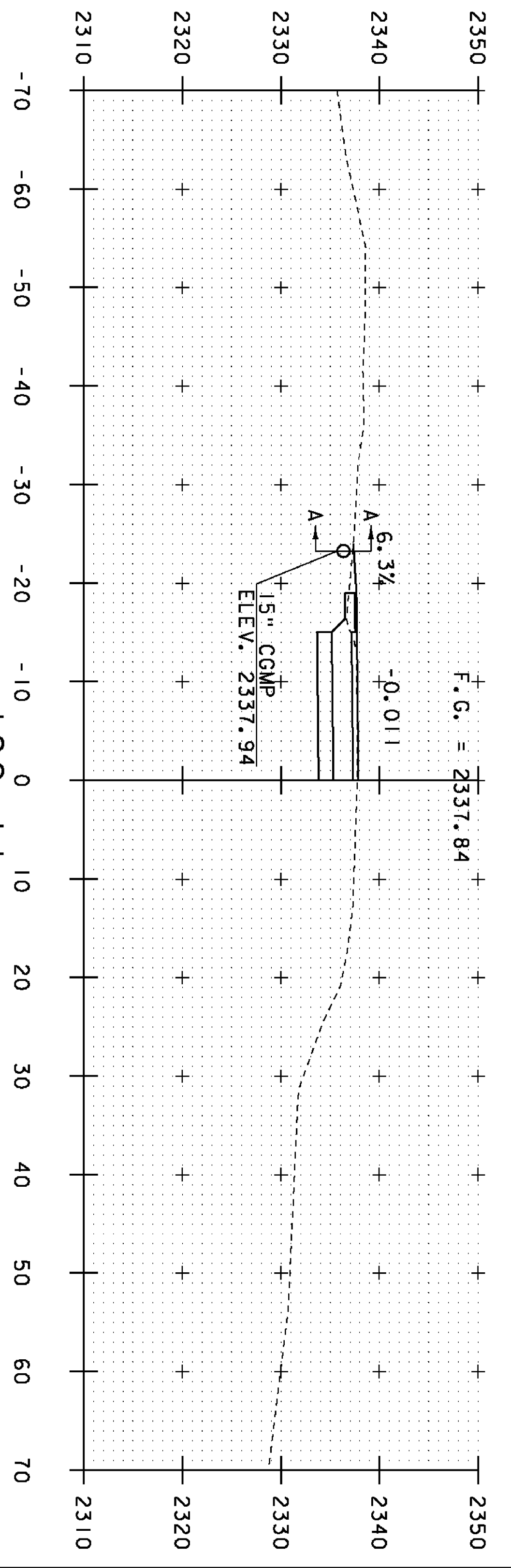


99+14

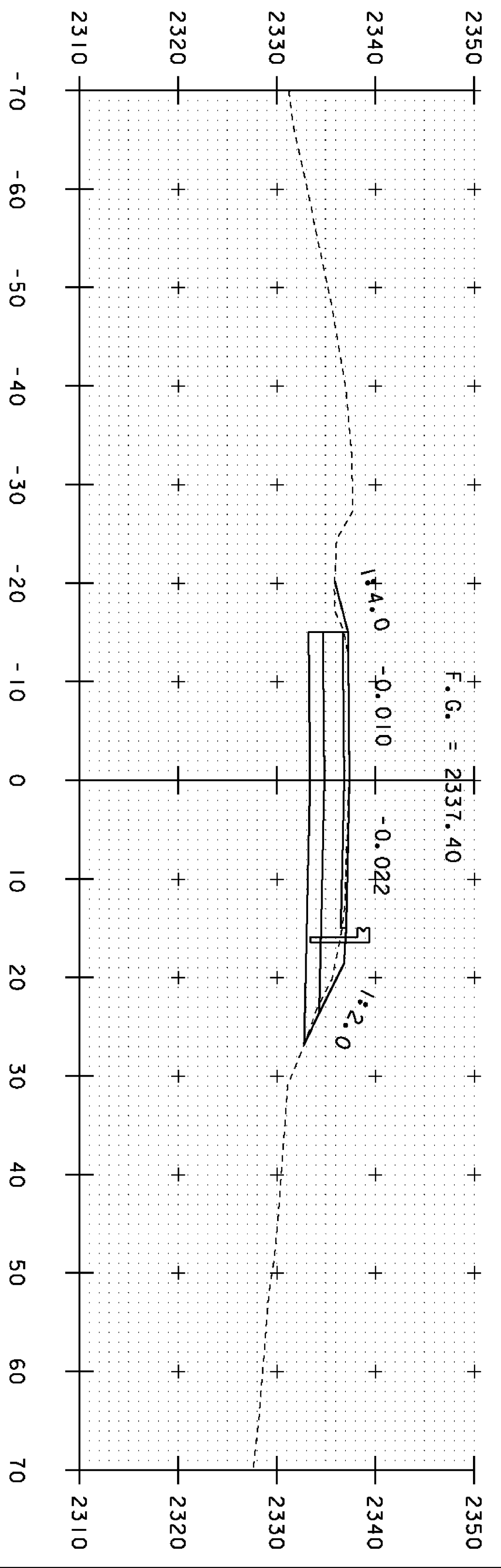
BOX CULVERT
SKEW 89.70°



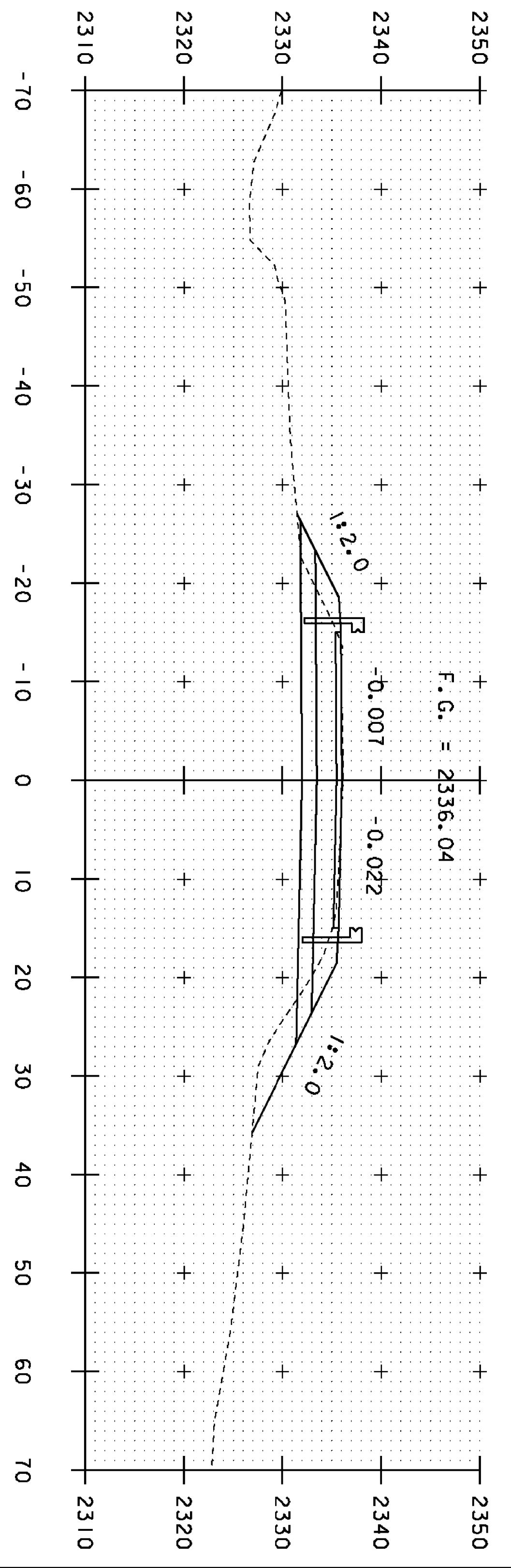
99+00



100+11
DRIVE LT



100+00



99+50

PROJECT NAME:	SEARSBURG	PROJECT NUMBER:	STP SCRPT(7)
FILE NAME:	d:\0918.xsec.dgn	DESIGNED BY:	B. MCADAMS
PROJECT LEADER:	K. UPWAL	CHECKED BY:	A. KEMPTON
MANLINE CROSS SECTIONS 2		SHEET	29 OF 35
STA. 99+00 TO STA. 100+11		DATE:	27-FEB-2013