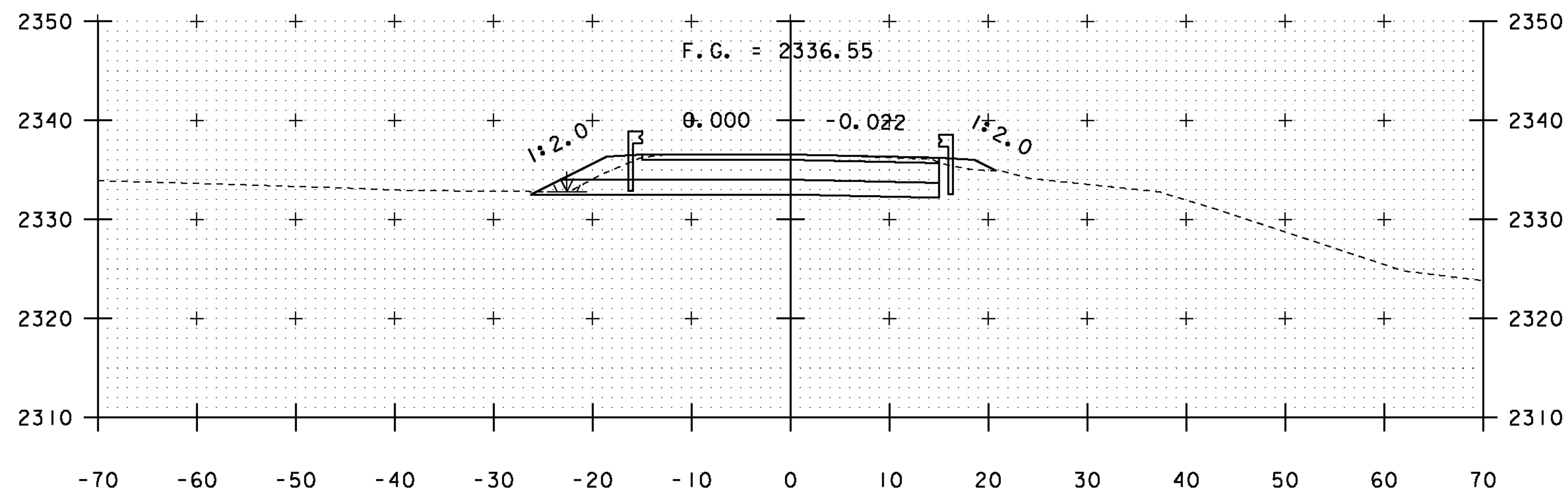
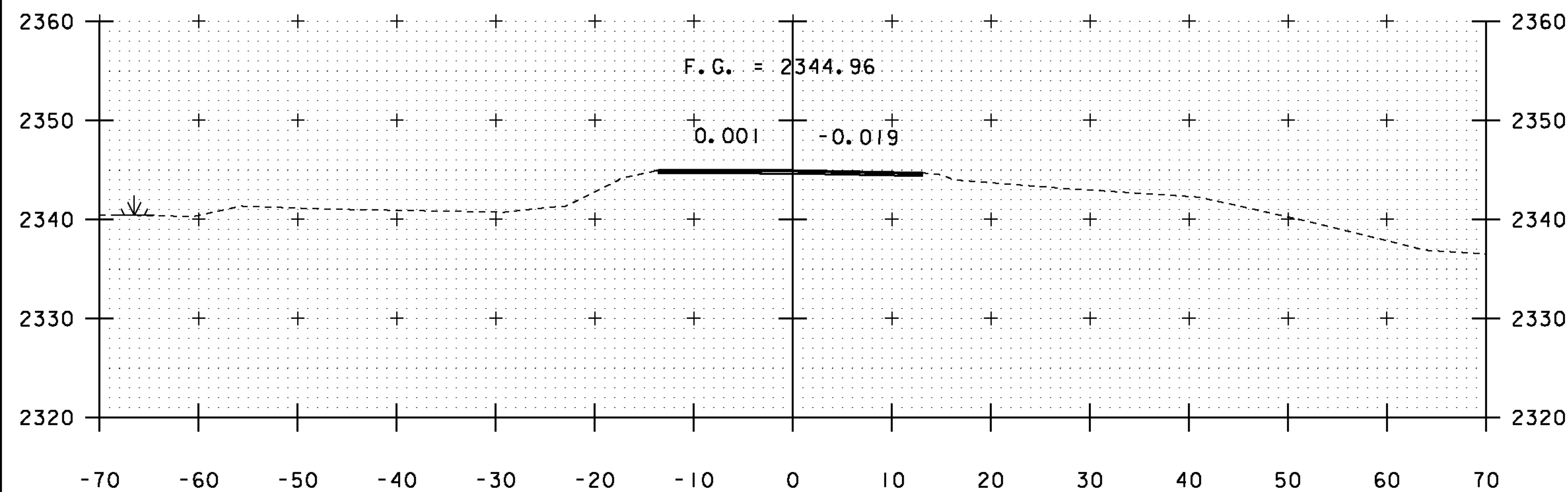


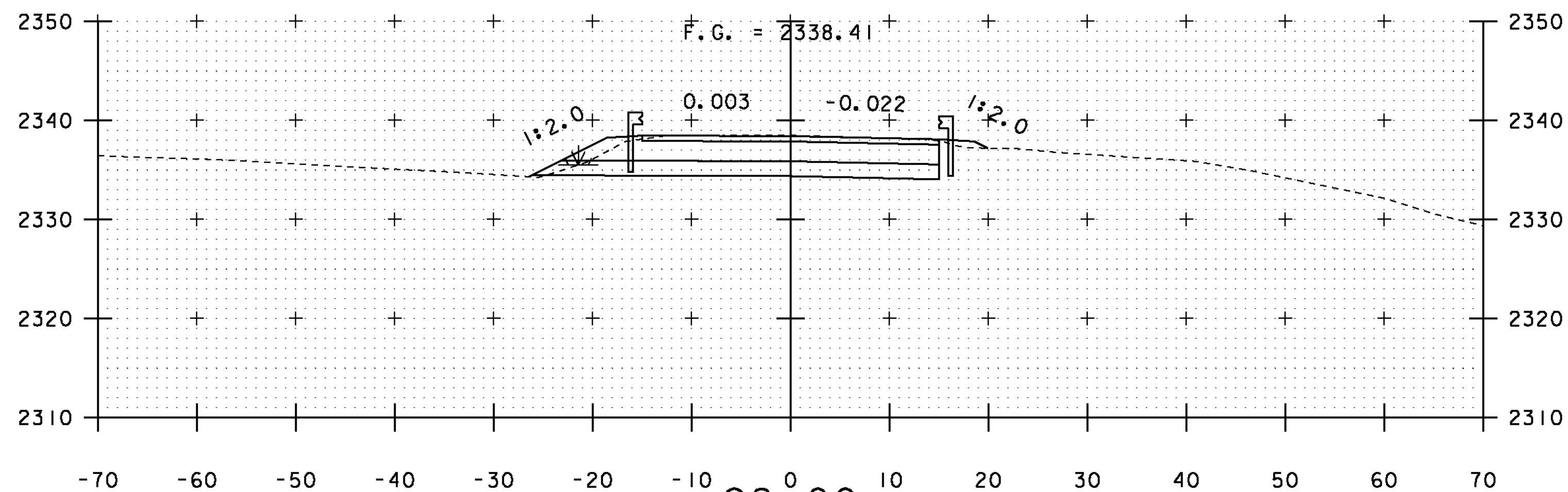
97+25  
END COLD PLANE



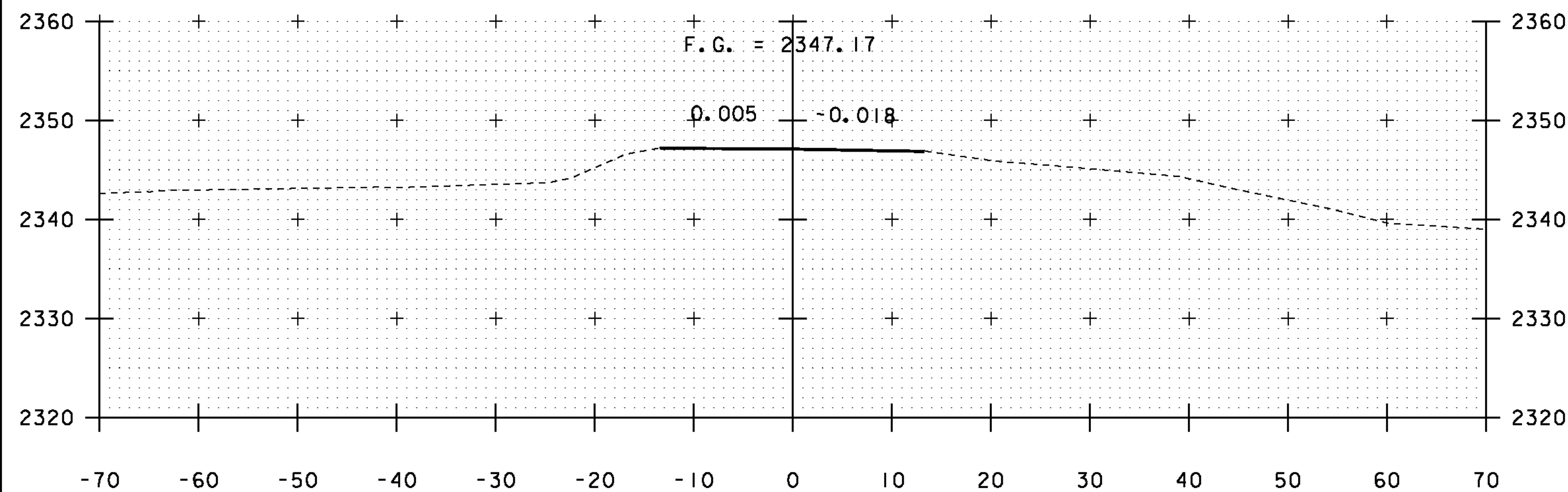
98+50



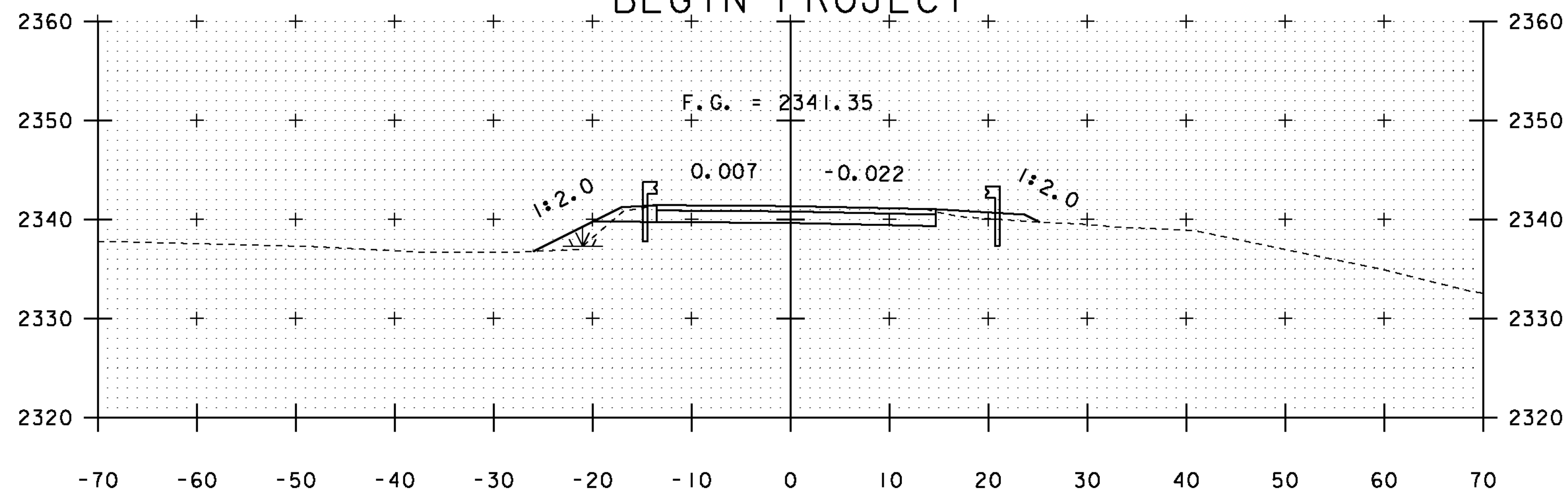
97+00



98+00  
END APPROACH  
BEGIN PROJECT



96+75  
BEGIN APPROACH  
BEGIN COLD PLANE



97+50

PROJECT NAME: SEARSBURG	
PROJECT NUMBER: STP SCRP(7)	
FILE NAME: d:\0ci98_xsec.dgn	PLOT DATE: 27-FEB-2013
PROJECT LEADER: K. UPMAL	DRAWN BY: B. MCADAMS
DESIGNED BY: B. MCADAMS	CHECKED BY: A. KEMPTON
MAINLINE CROSS SECTIONS I	SHEET 28 OF 35

STA. 96+75 TO STA. 98+50