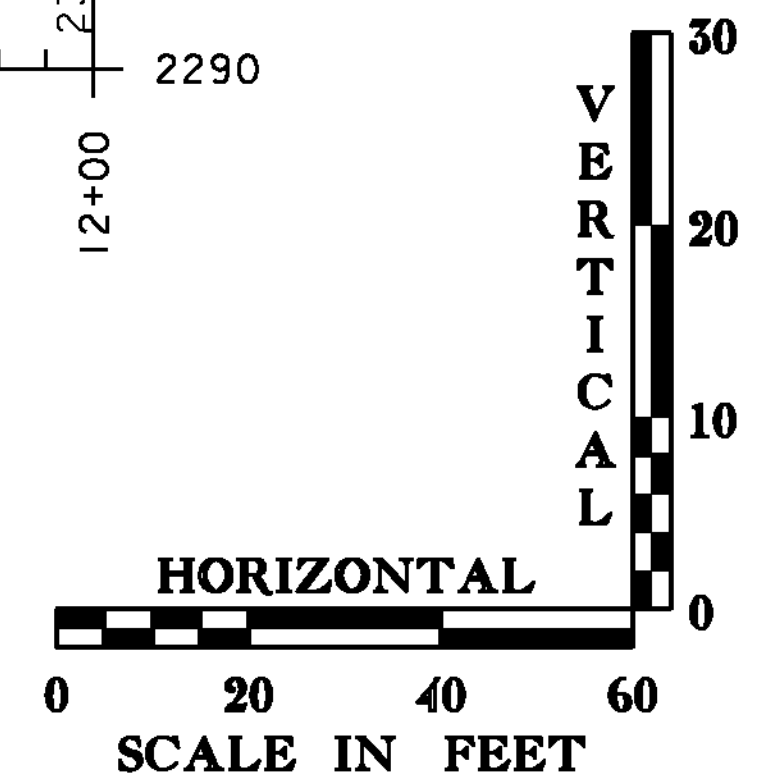
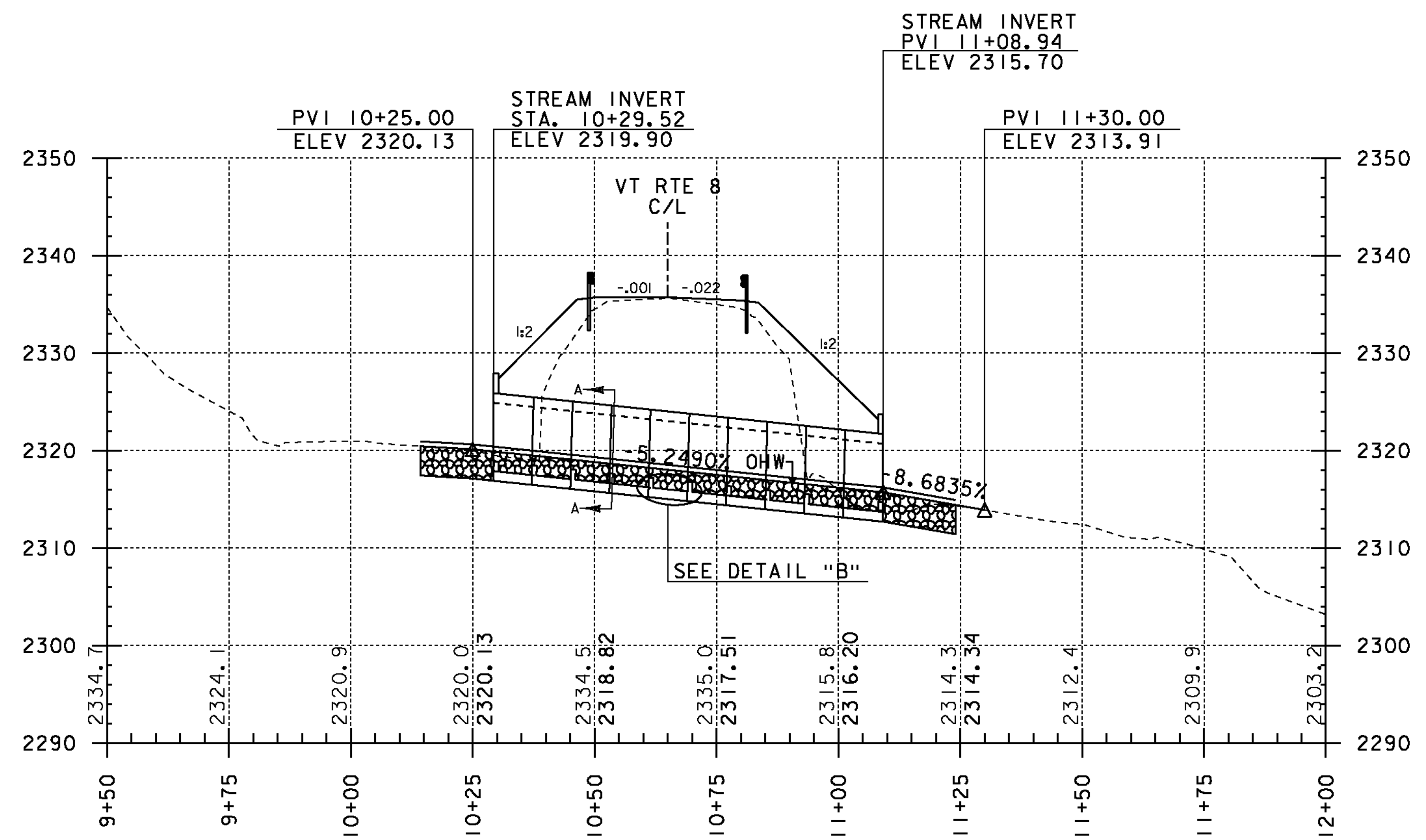
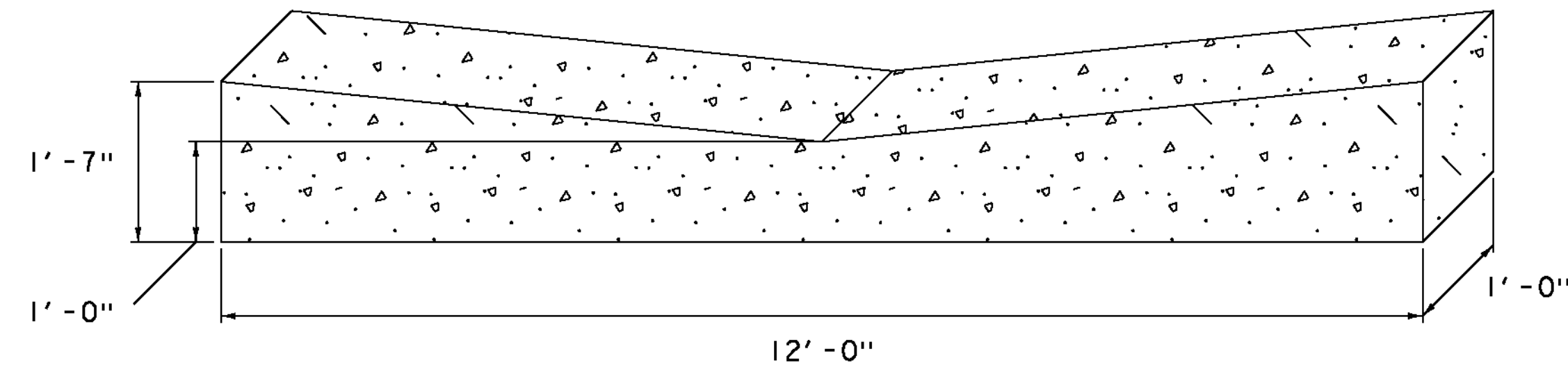
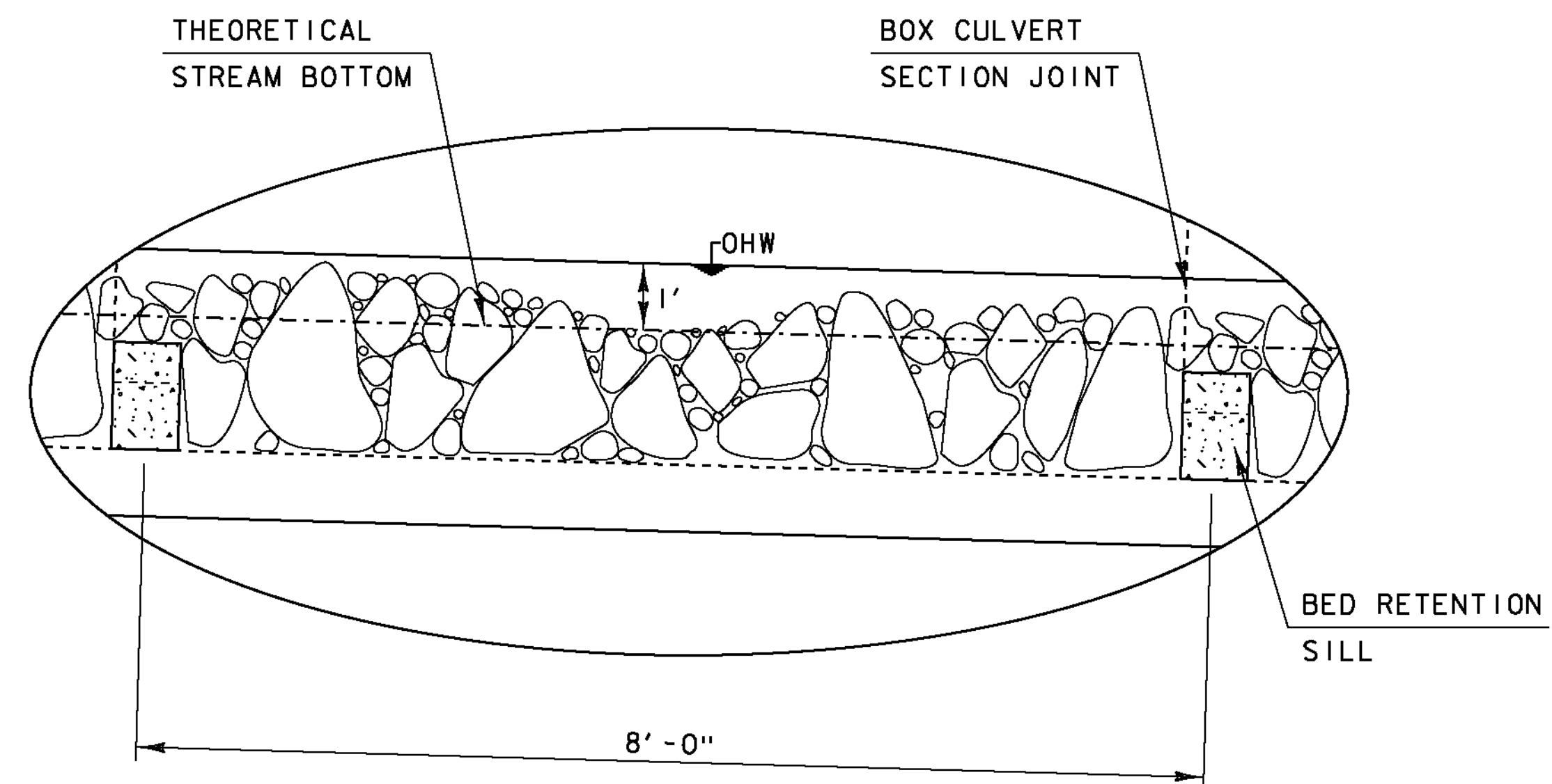
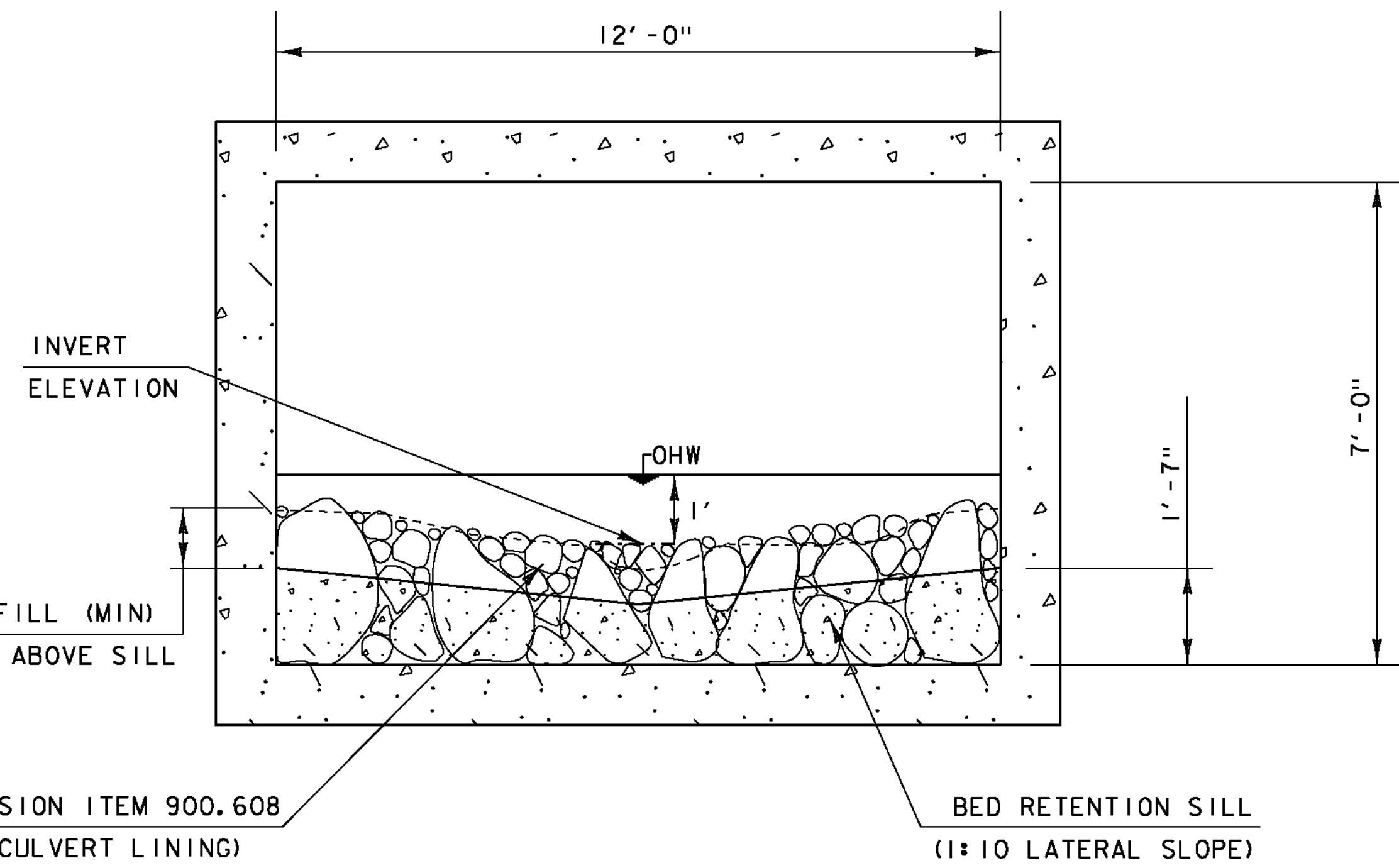


STONE FILL NOTES

1. SPECIAL PROVISION 900.608 (STONE FILL, CULVERT LINING) SHALL BE OF A SIMILAR SIZE AND HAVE SIMILAR ANGLES AS THE NATURAL STREAM BED MEDIUM LOCATED UP AND DOWNSTREAM FROM THE STRUCTURE.
2. AN ATTEMPT SHALL BE MADE TO LOCATE THE LARGE ROCKS BOTH ALONG THE SIDES AS WELL AS THE MIDDLE OF THE BOX BETWEEN THE SILLS IN ORDER TO ENSURE ANCHORAGE THROUGHOUT THE STRUCTURE.
3. SEE SPECIAL PROVISIONS FOR MORE INFORMATION.



THE GRADES SHOWN TO THE NEAREST TENTH ARE THE ORIGINAL GROUND ELEVATIONS ALONG THE PROPOSED ALIGNMENT. THE GRADES SHOWN TO THE NEAREST HUNDREDTH ARE THE FINISHED GRADES FOR THE PROPOSED ALIGNMENT.

PROJECT NAME: SEARSBURG	
PROJECT NUMBER: STP SCR(7)	
FILE NAME: dl0c198.dtl.dgn	PLOT DATE: 27-FEB-2013
PROJECT LEADER: K. UPMAL	DRAWN BY: B. MCADAMS
DESIGNED BY: B. MCADAMS	CHECKED BY: A. KEMPTON
BOX DETAIL SHEET 2	SHEET 14 OF 35