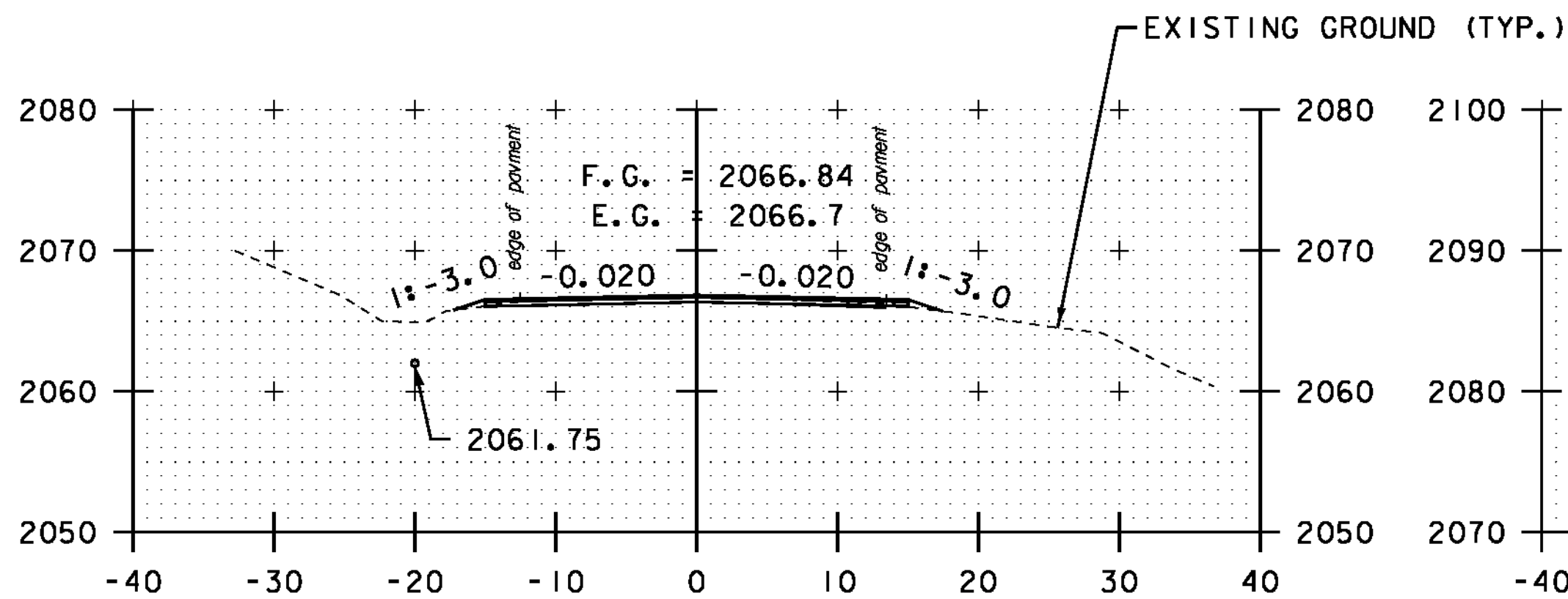
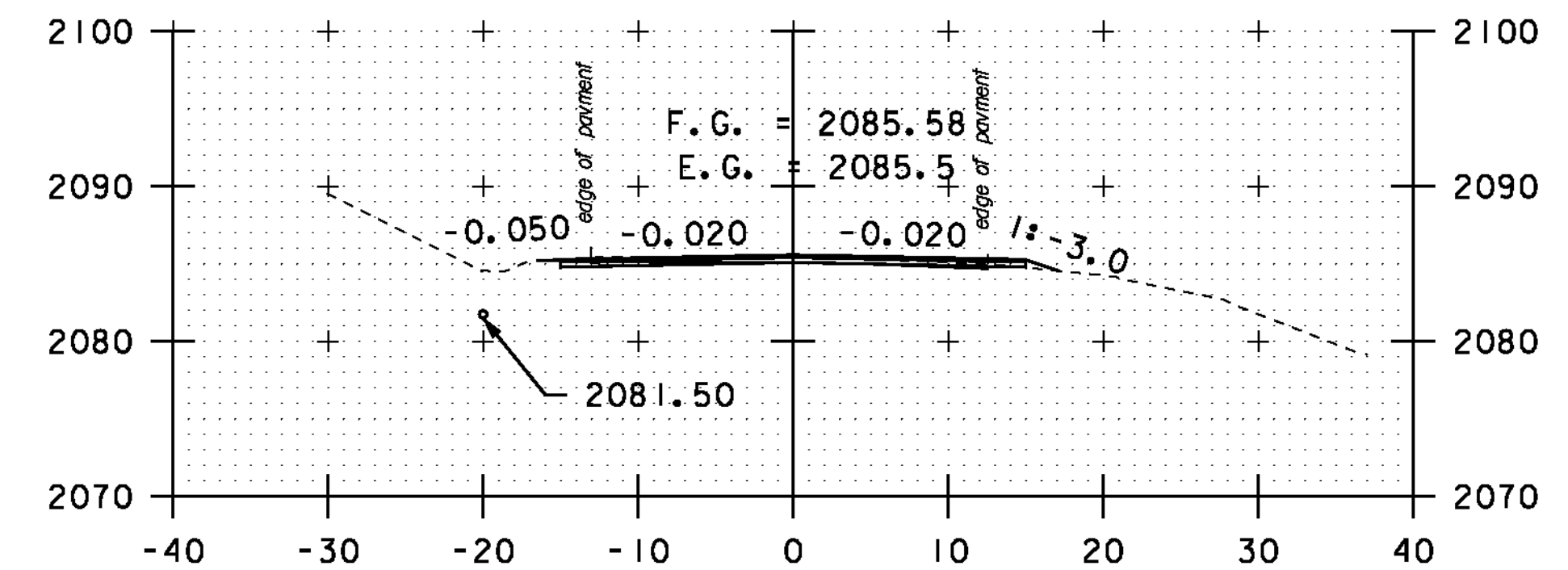


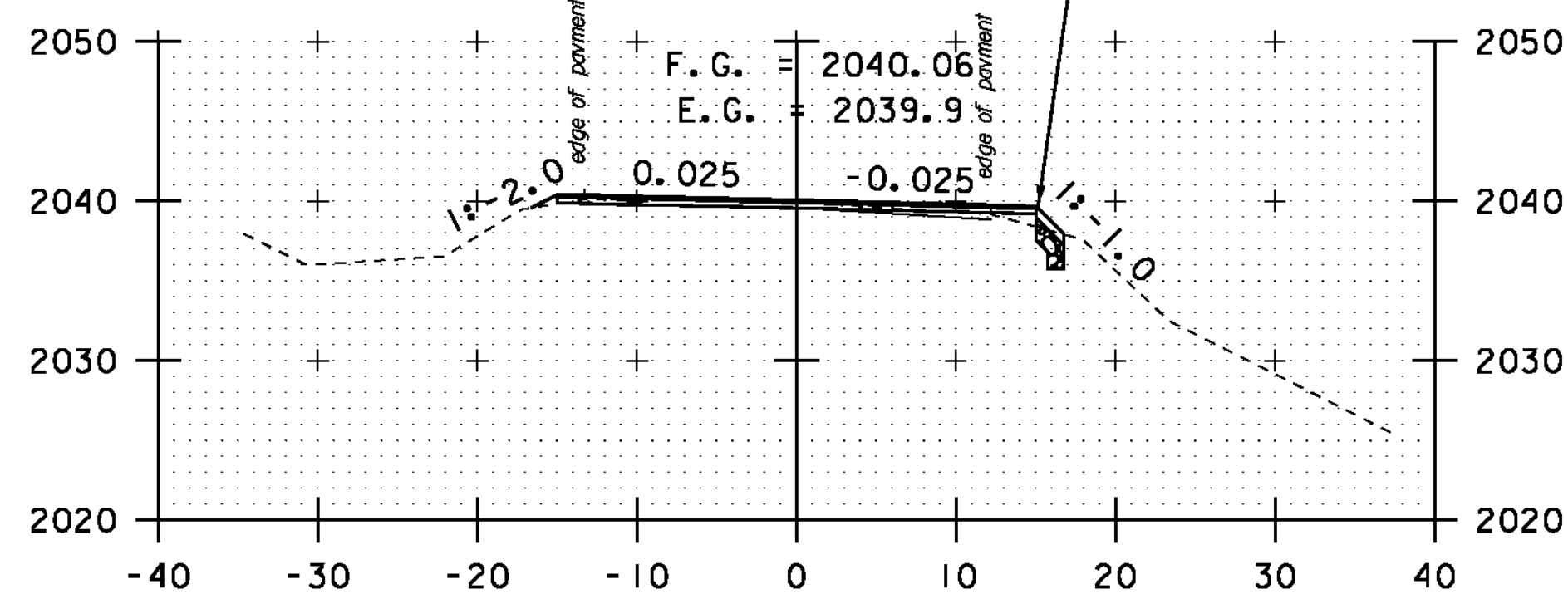
A 122+00



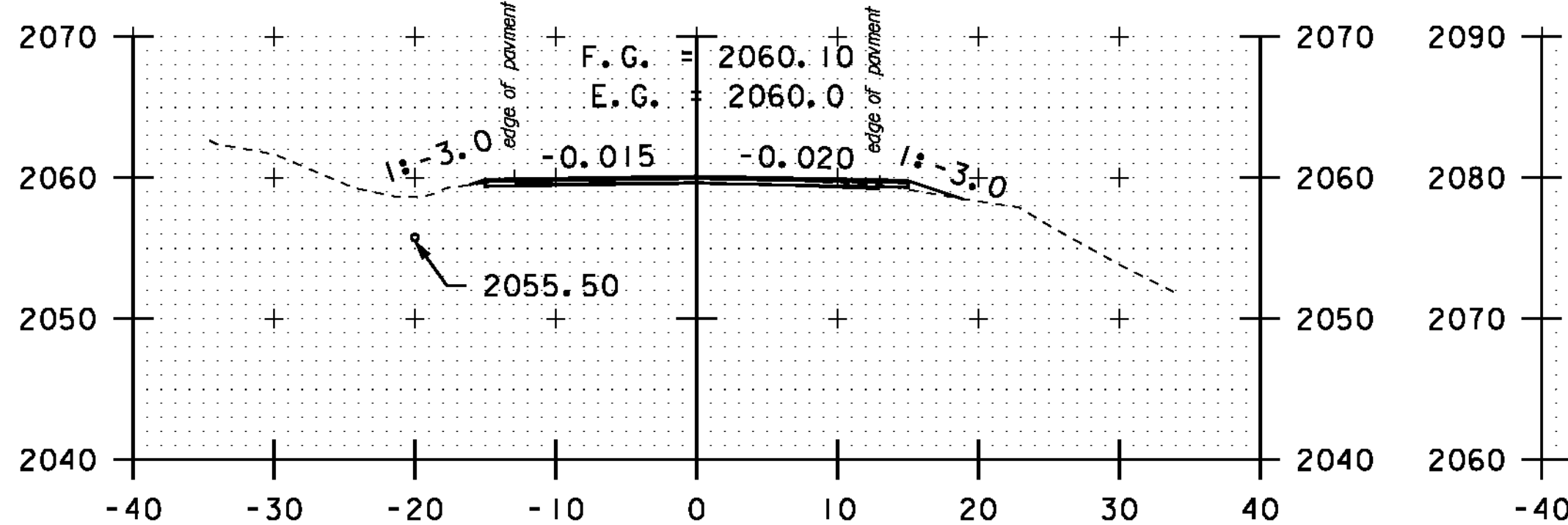
A 123+50



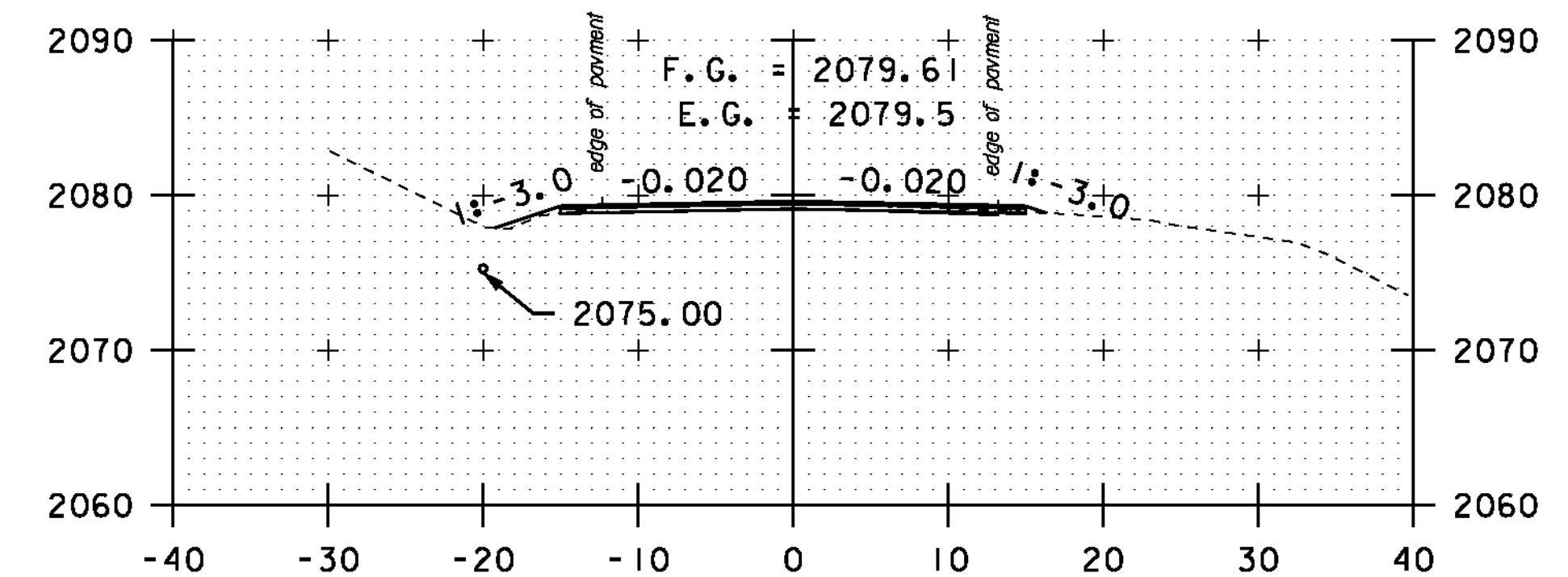
A 125+00



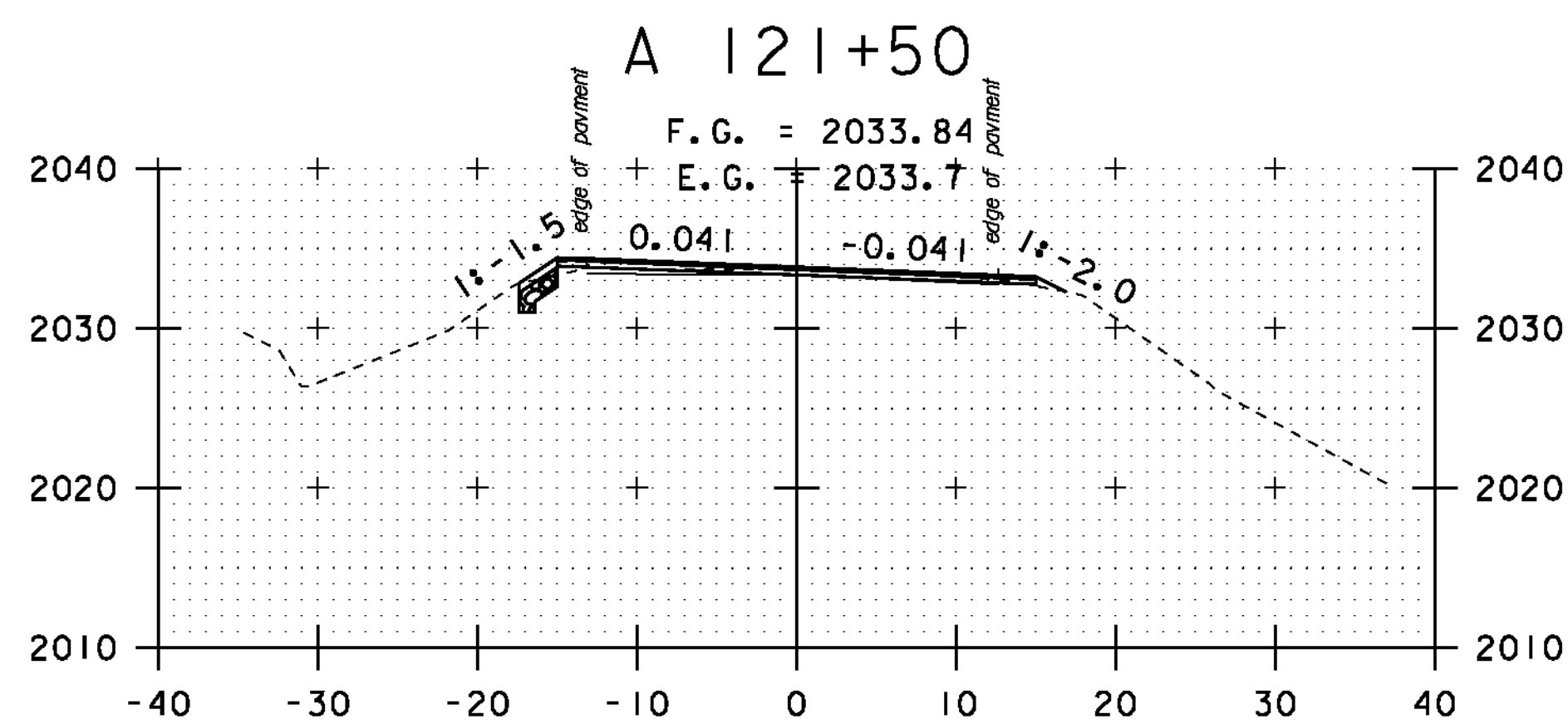
A 121+50



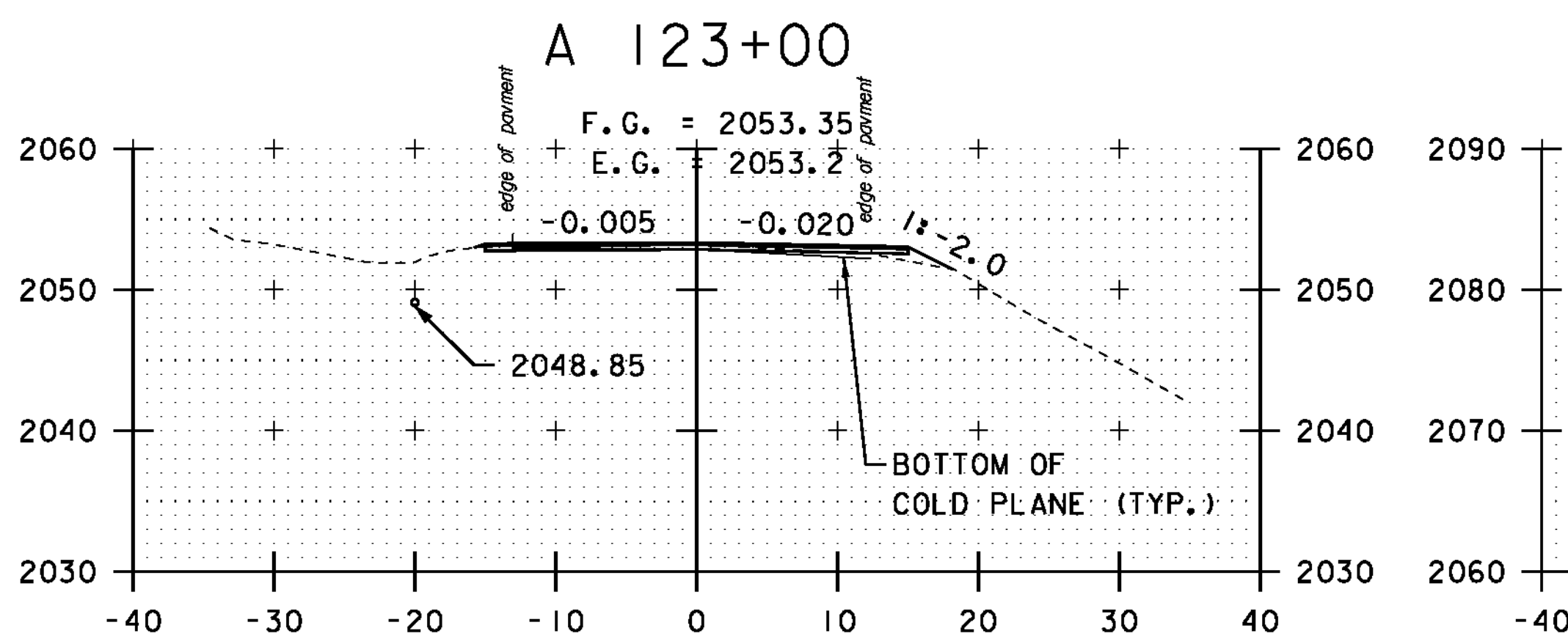
A 123+00



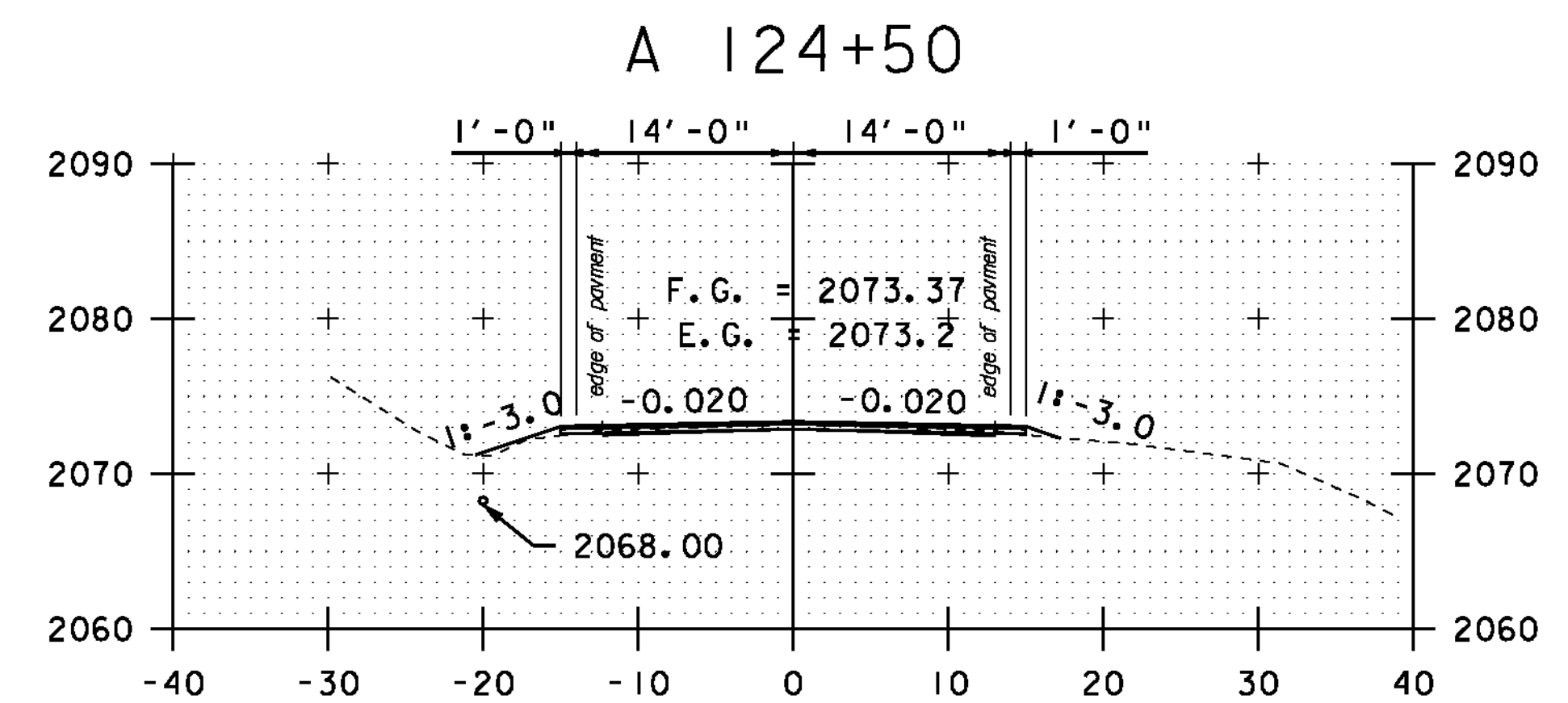
A 124+50



A 121+00

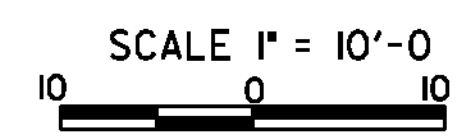


A 122+50



A 124+00

STA. A 121+00 TO STA. A 125+00



CROSS SECTION SHEET 60

PROJECT NAME: MONTGOMERY-WESTFIELD
 PROJECT NUMBER: STP 2906(I)
 FILE NAME: p10CI90.dgn
 PROJECT LEADER: CDL
 DESIGNED BY: SJL
 PLOT FILE: p10CI90_174.I

PLOT DATE: 9/5/12
 DRAWN BY: SJL
 CHECKED BY: CDL
 SHEET 174 OF 178