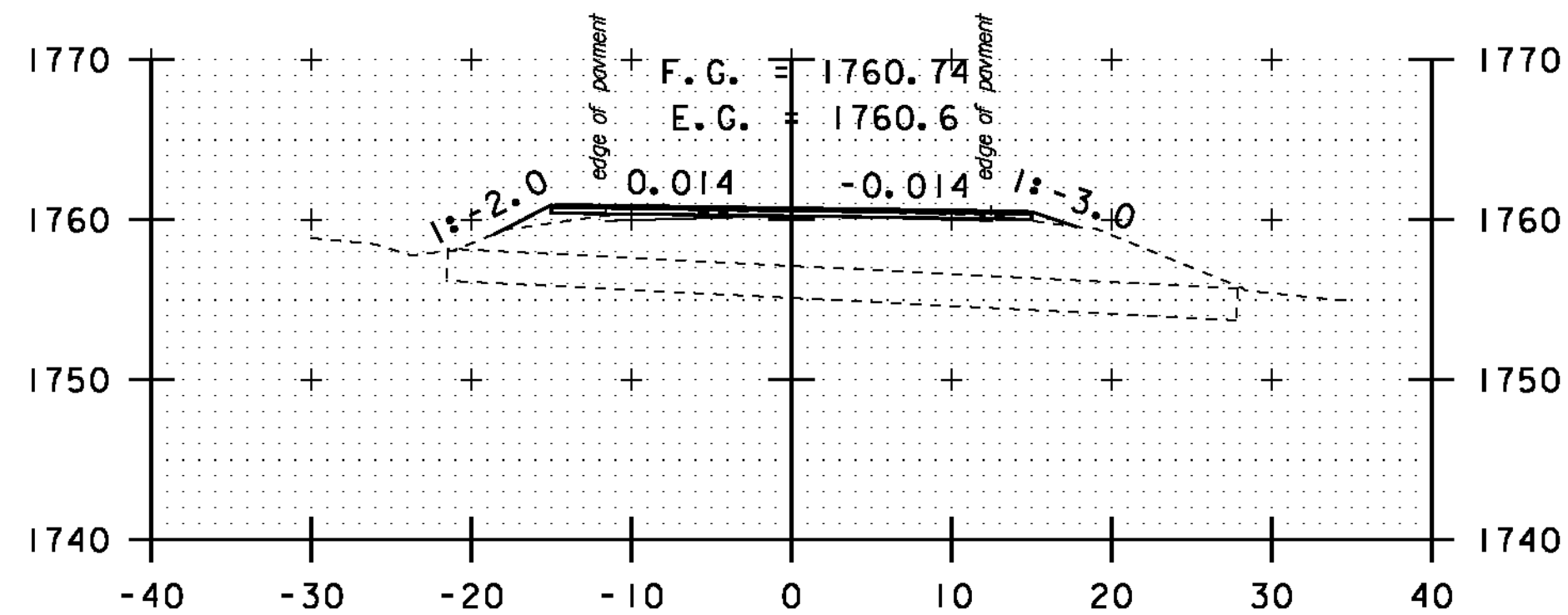
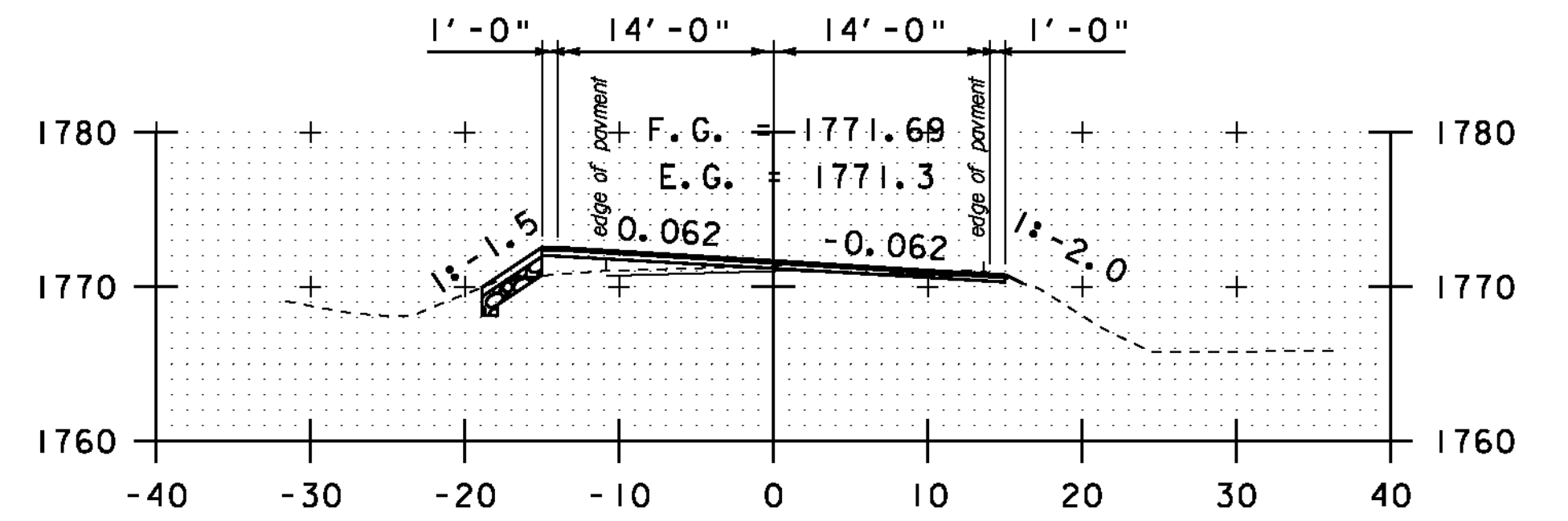


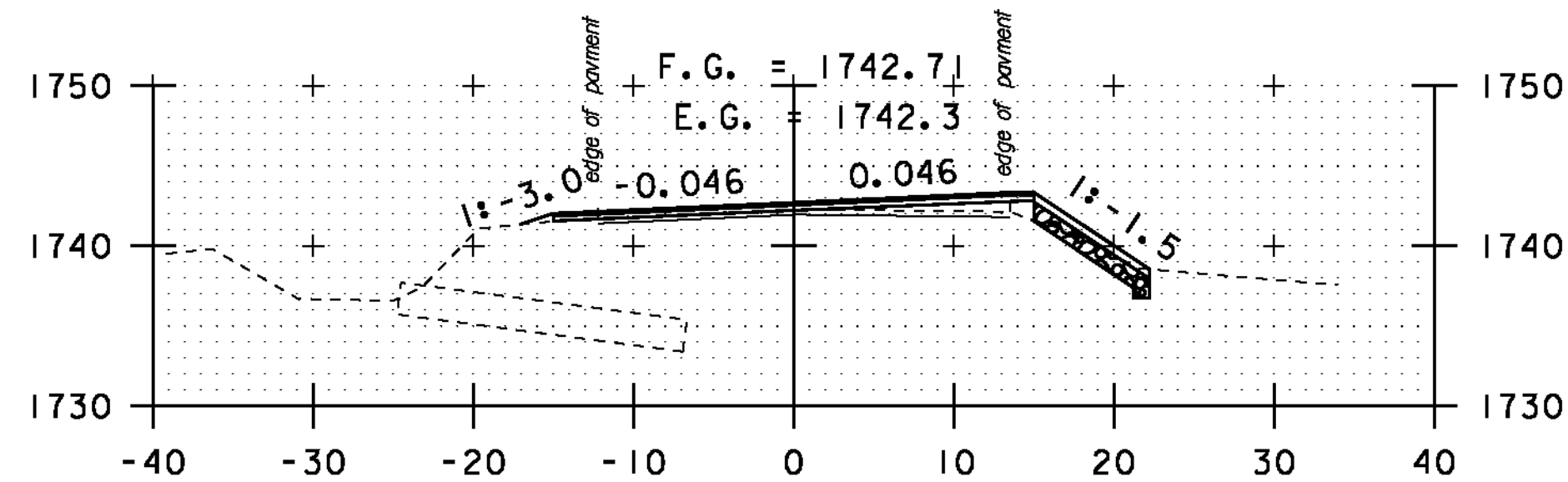
A 86+50



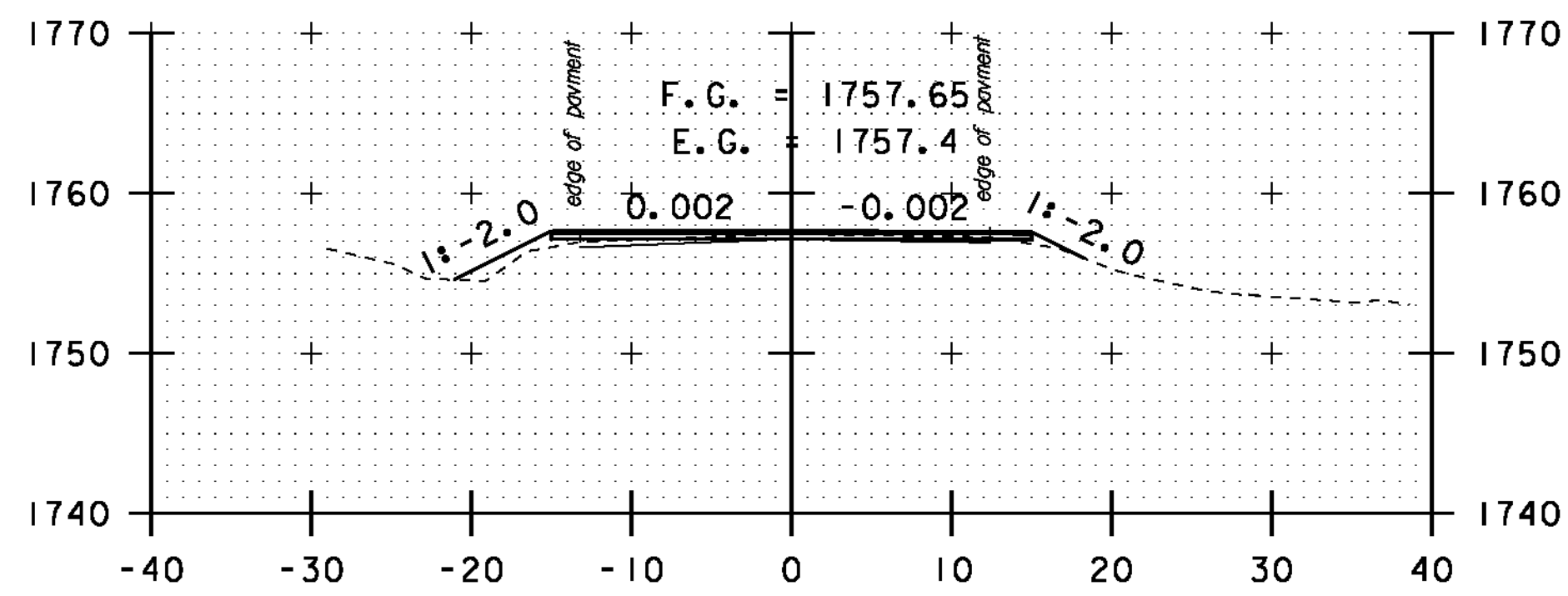
A 88+50



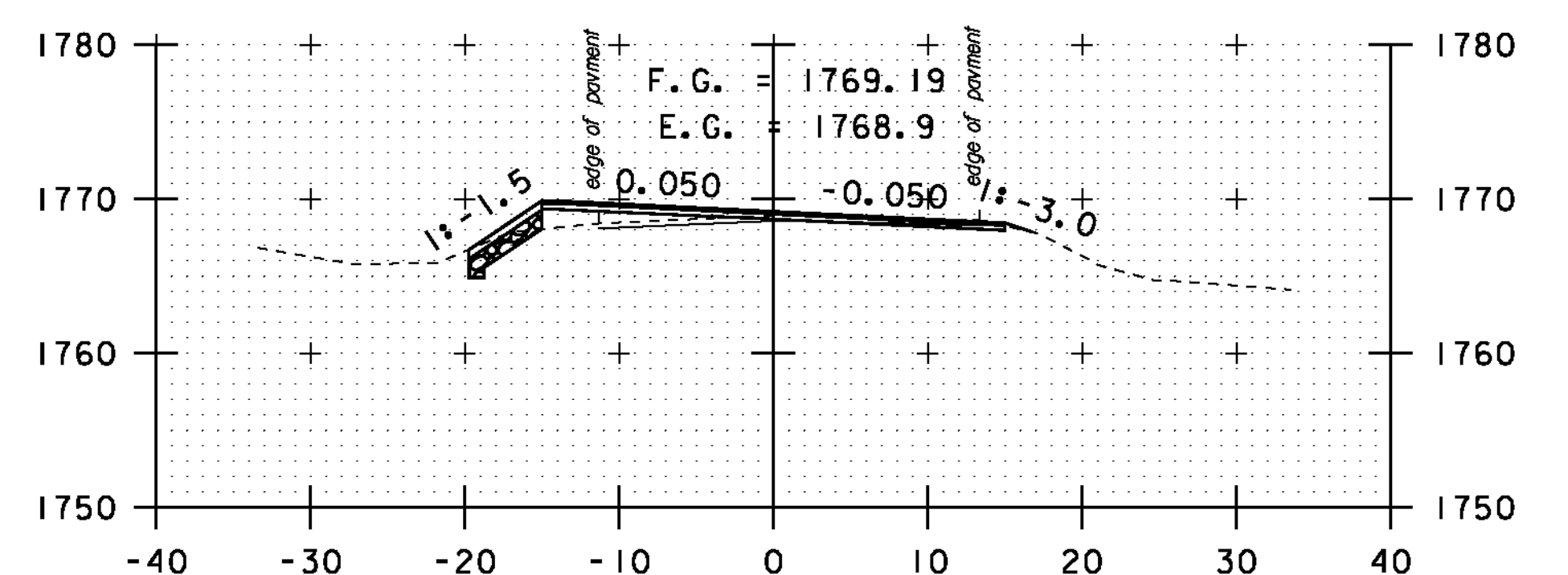
A 90+50



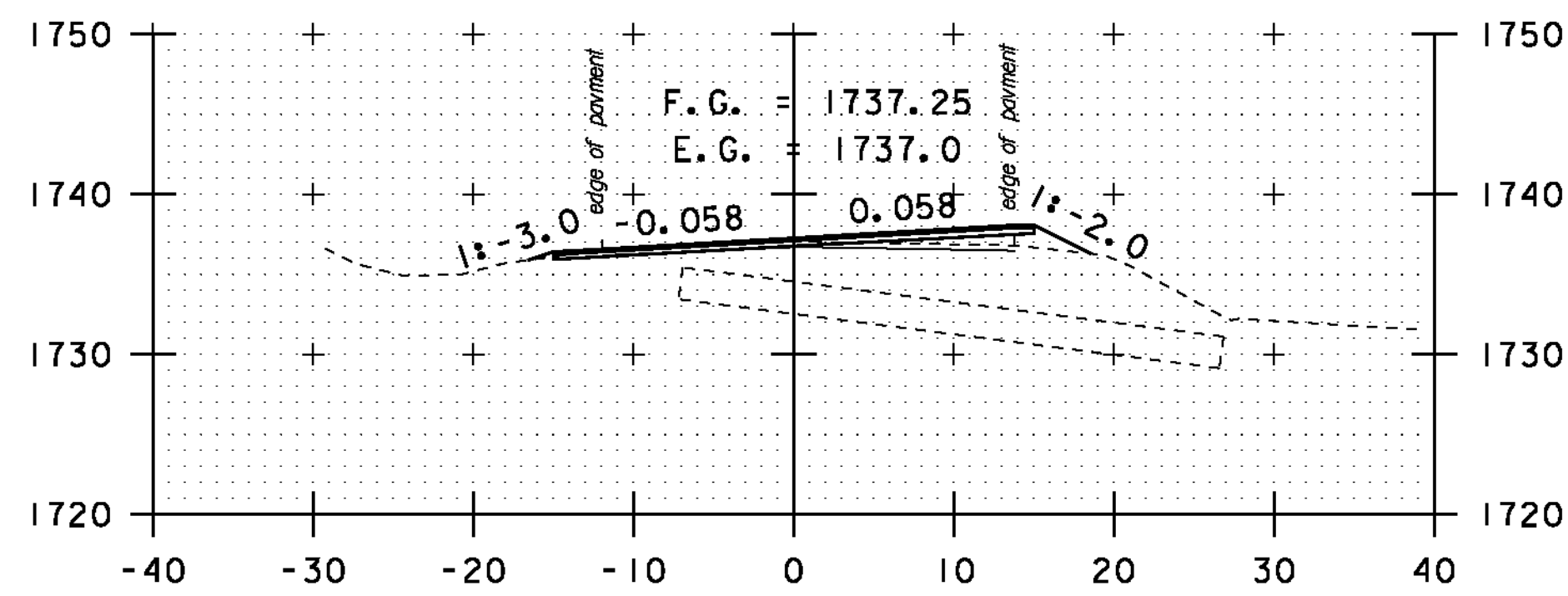
A 86+00



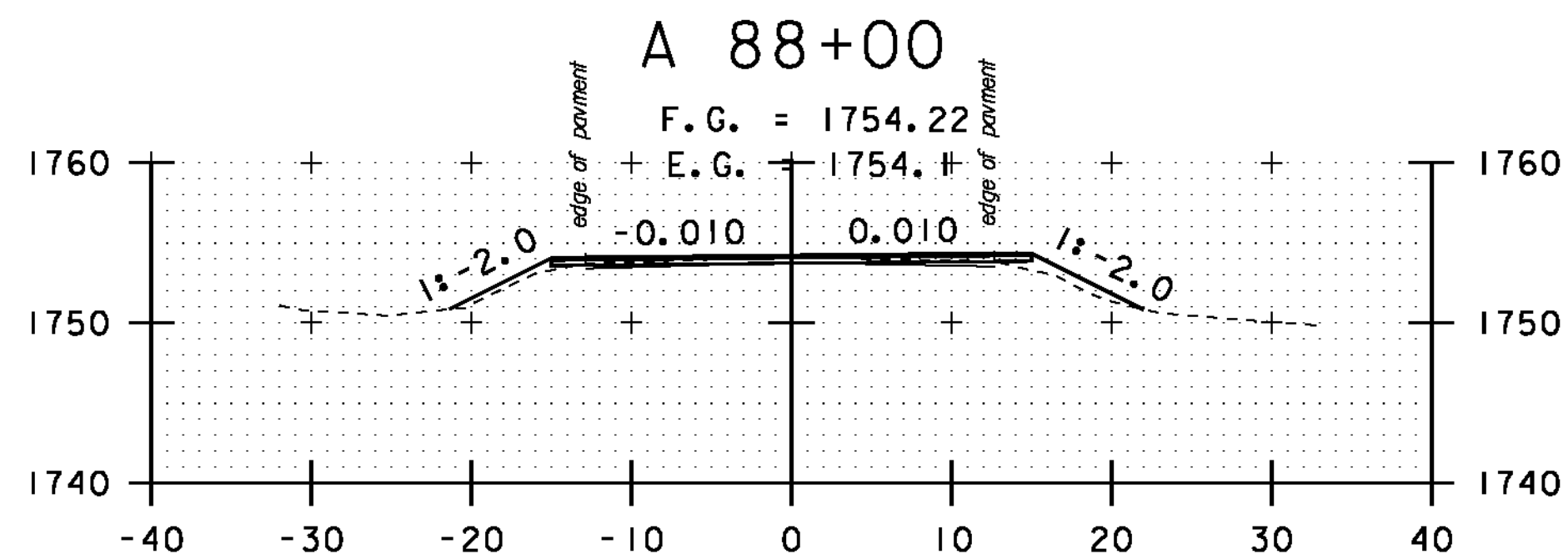
A 88+00



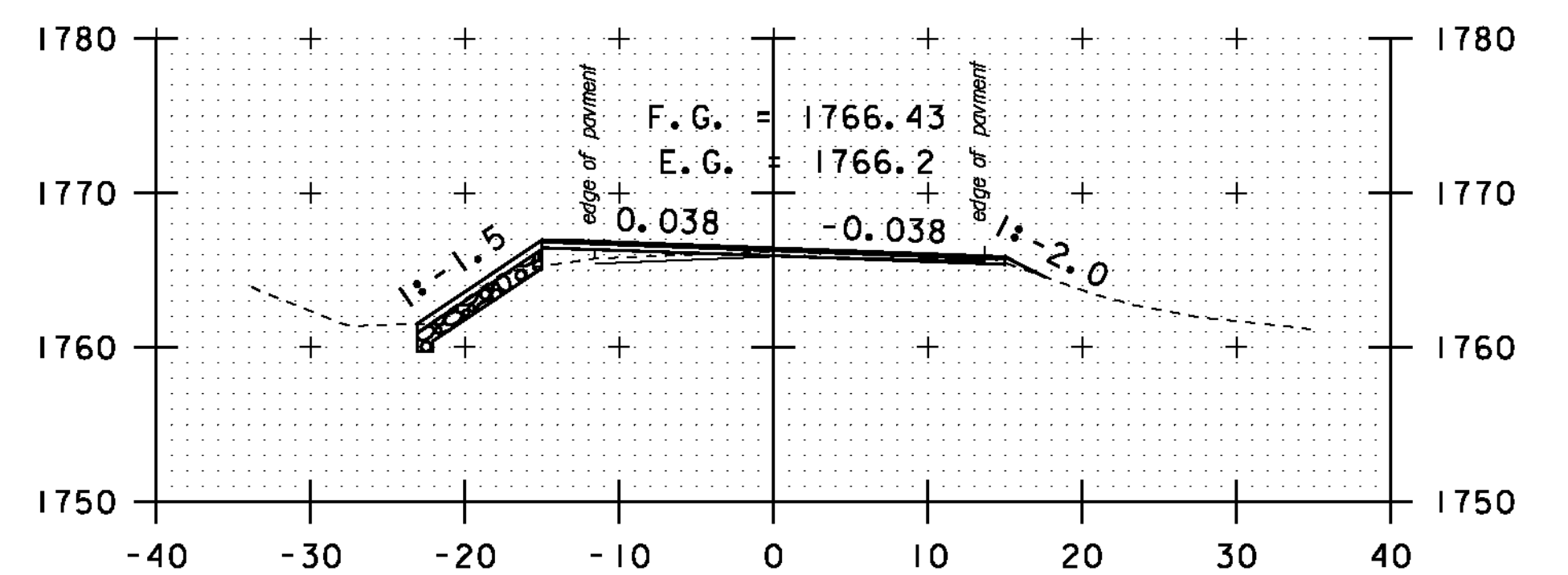
A 90+00



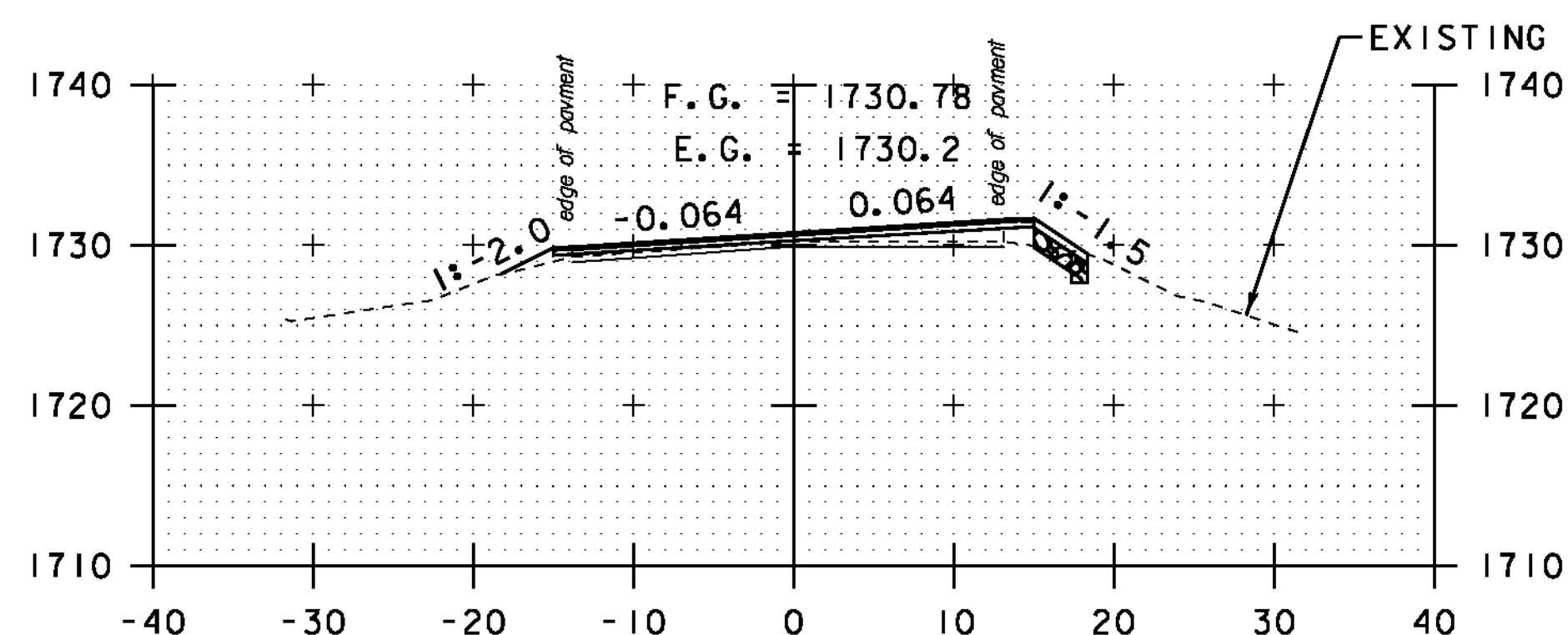
A 85+50



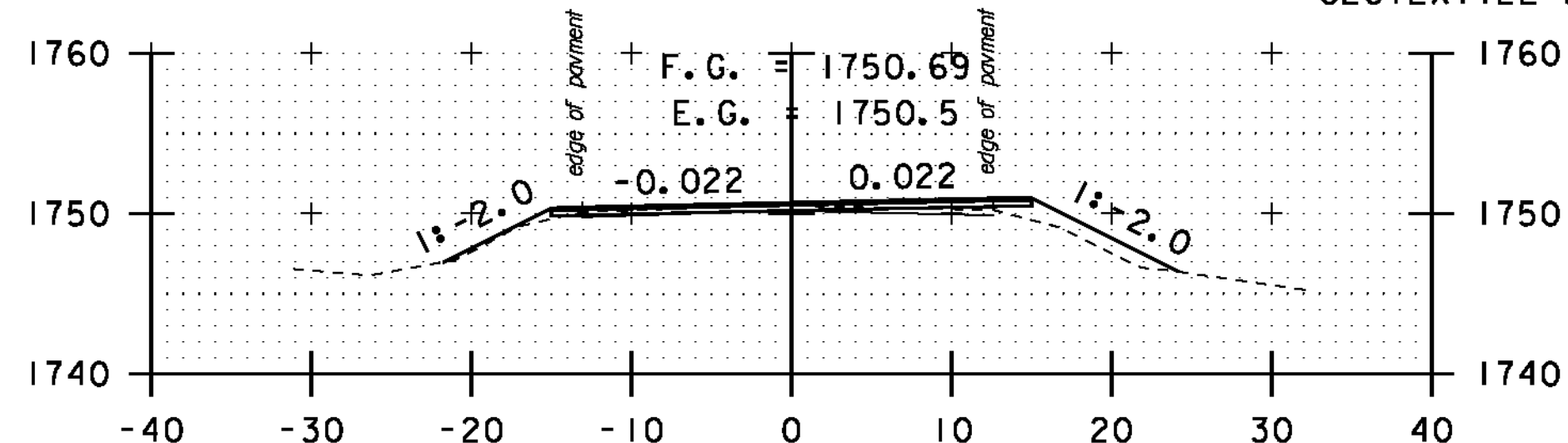
A 87+50



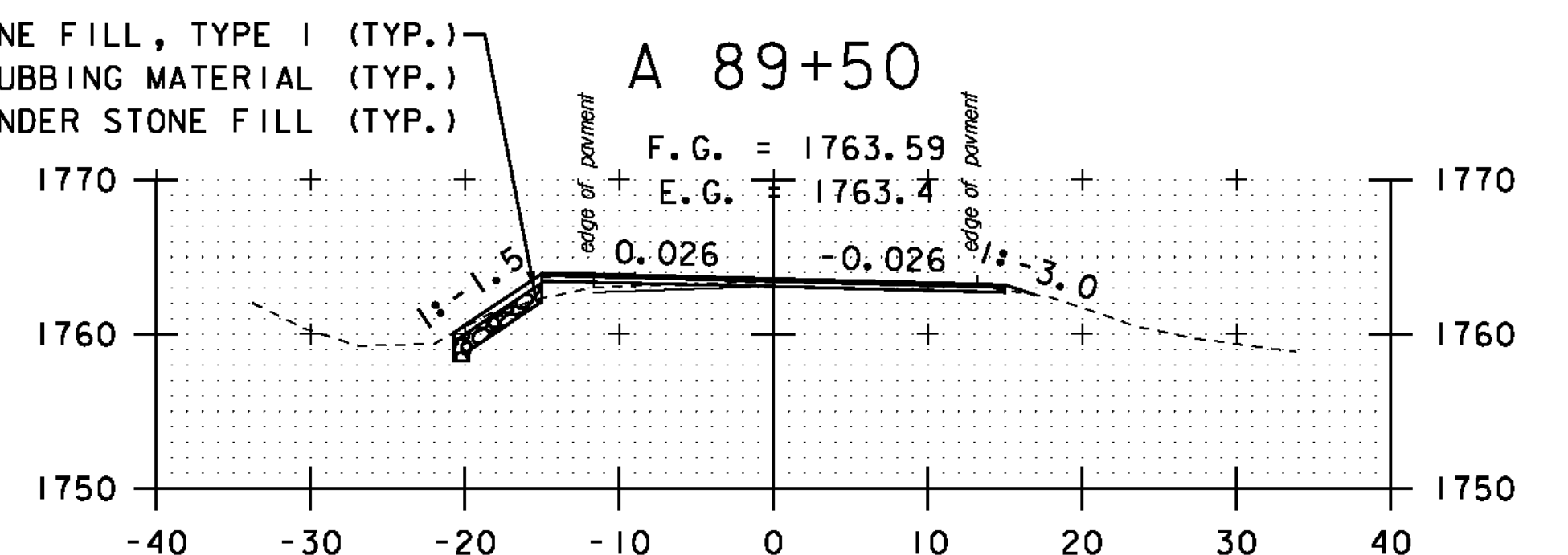
A 89+50



A 85+00



A 87+00



A 89+00

STA. A 85+00 TO STA. A 90+50



**CROSS SECTION SHEET 53**

PROJECT NAME:	MONTGOMERY-WESTFIELD
PROJECT NUMBER:	STP 2906(I)
FILE NAME:	p10ci90.dgn
PROJECT LEADER:	CDL
DESIGNED BY:	SJL
PLOT FILE:	p10ci90_167.1
PLOT DATE:	9/5/12
DRAWN BY:	SJL
CHECKED BY:	CDL
SHEET	167 OF 178