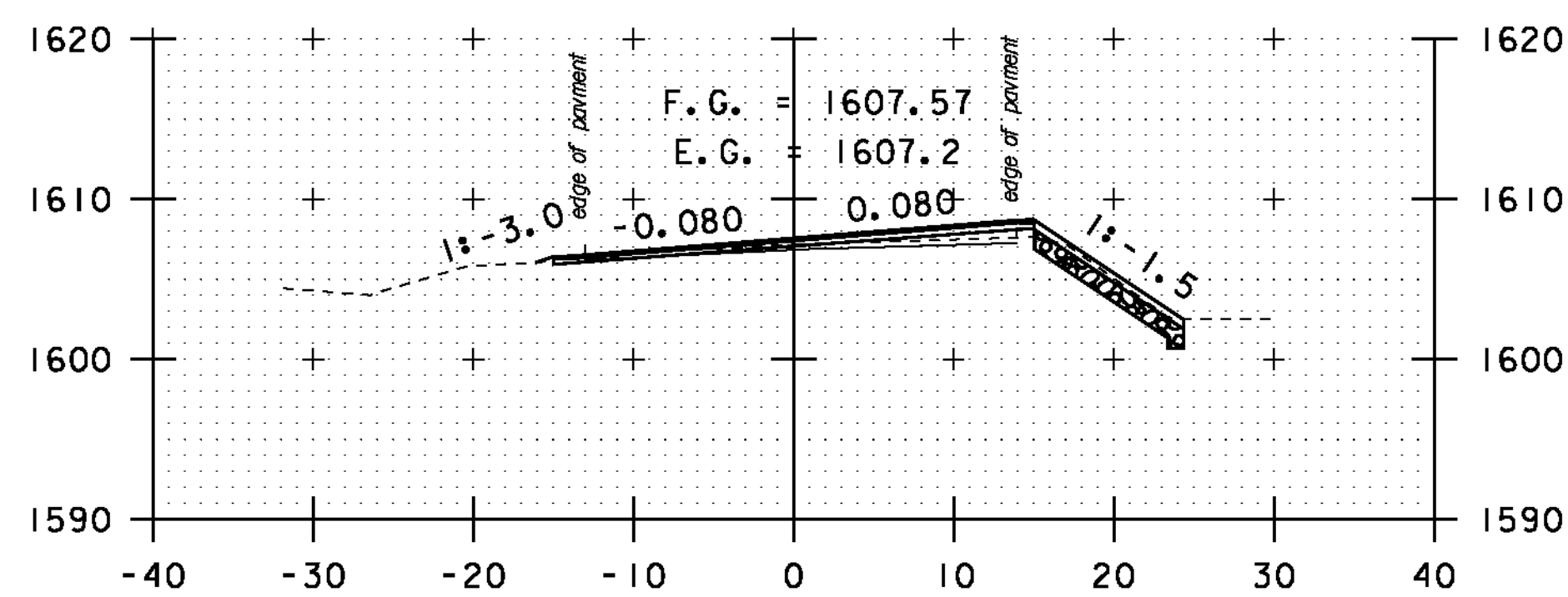
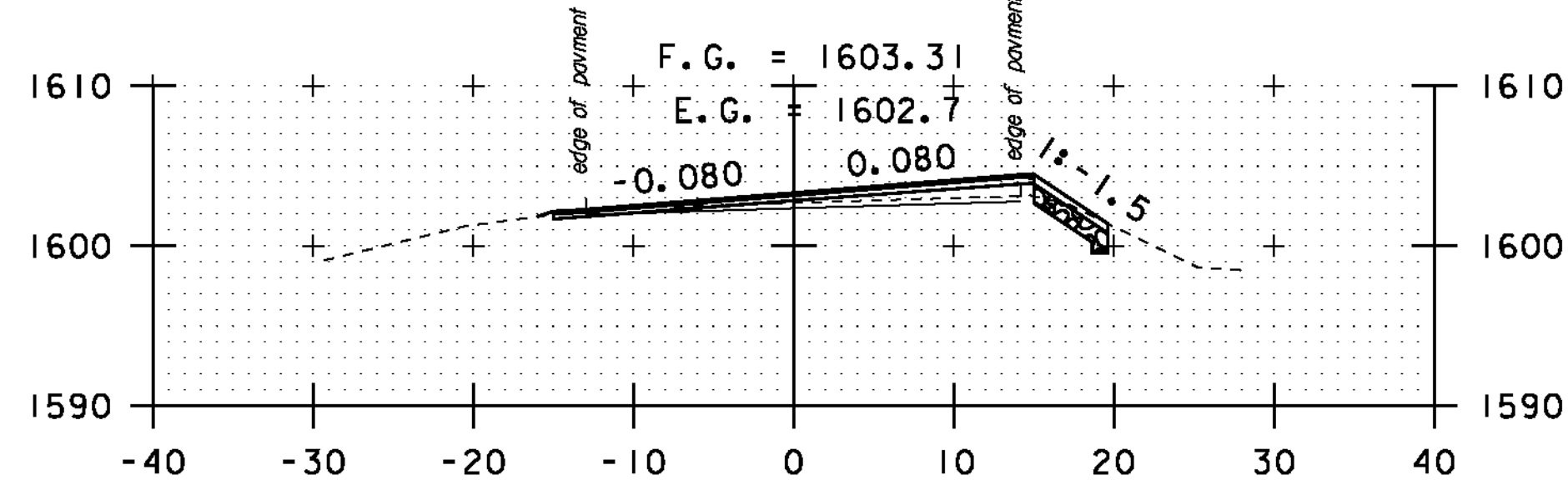


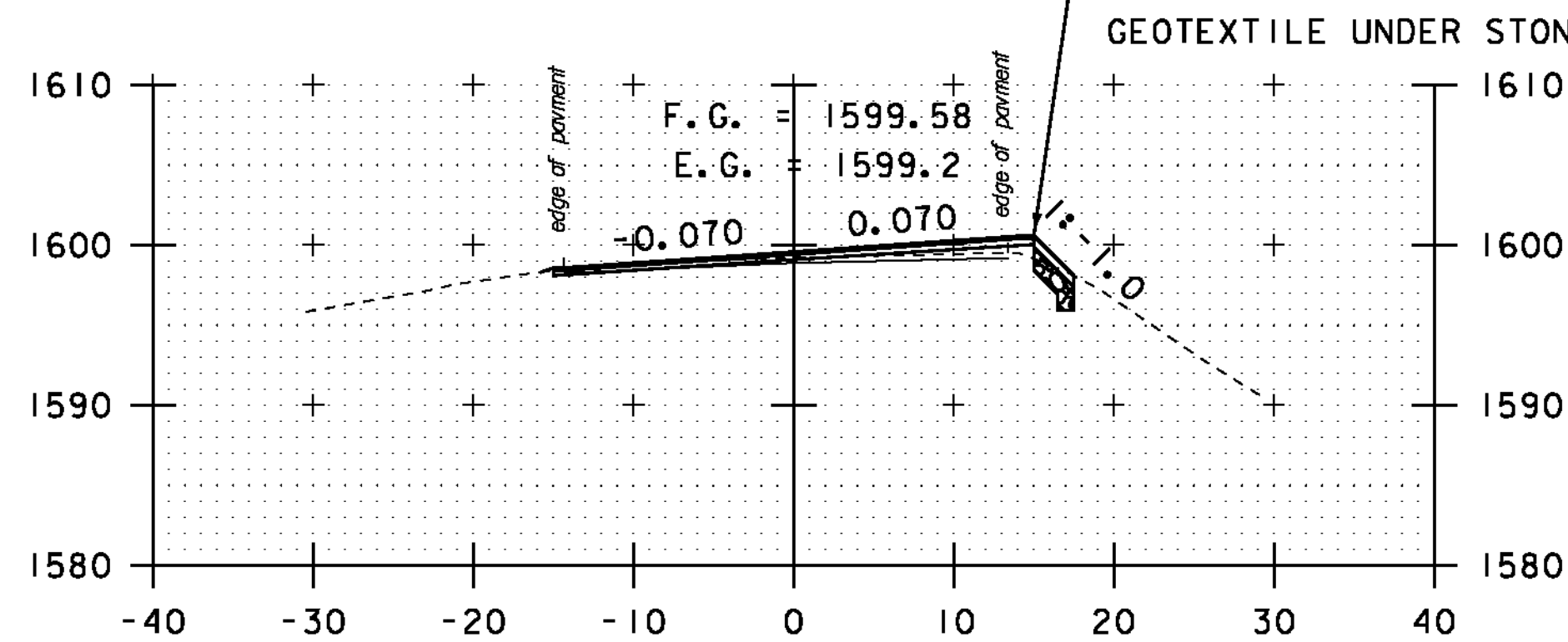
A 66+00



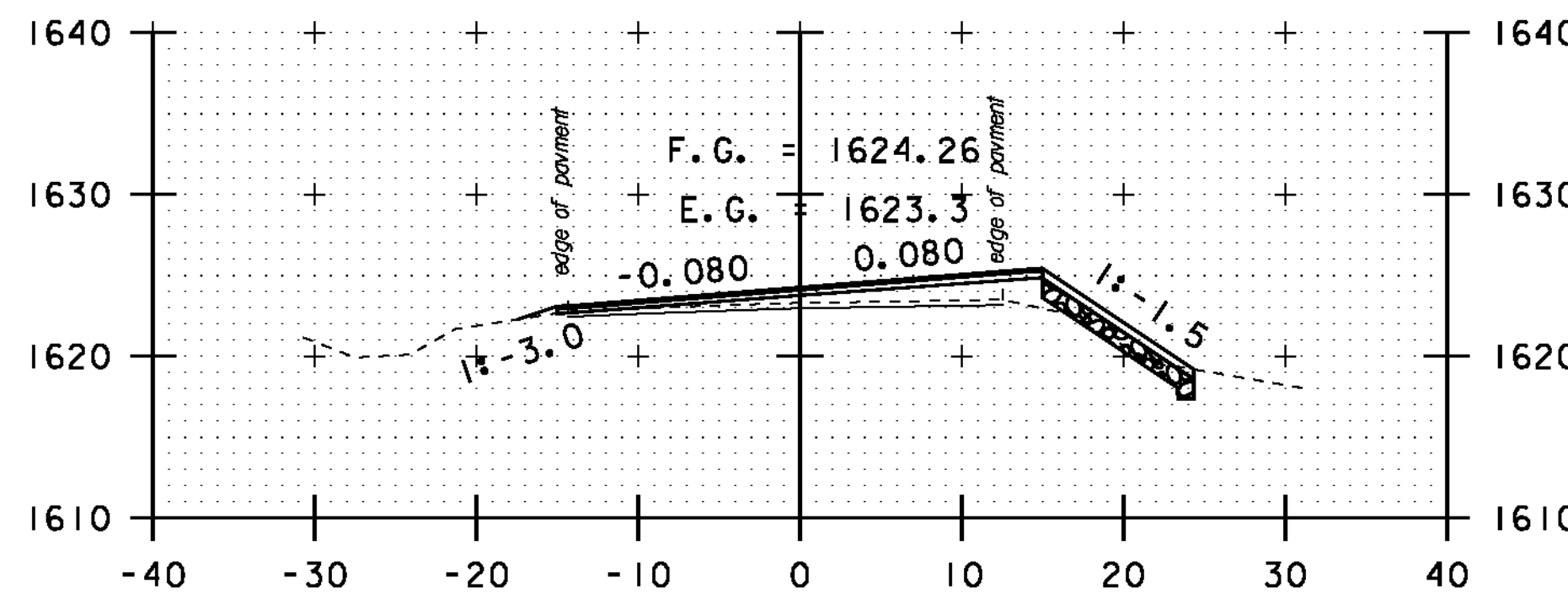
A 65+50



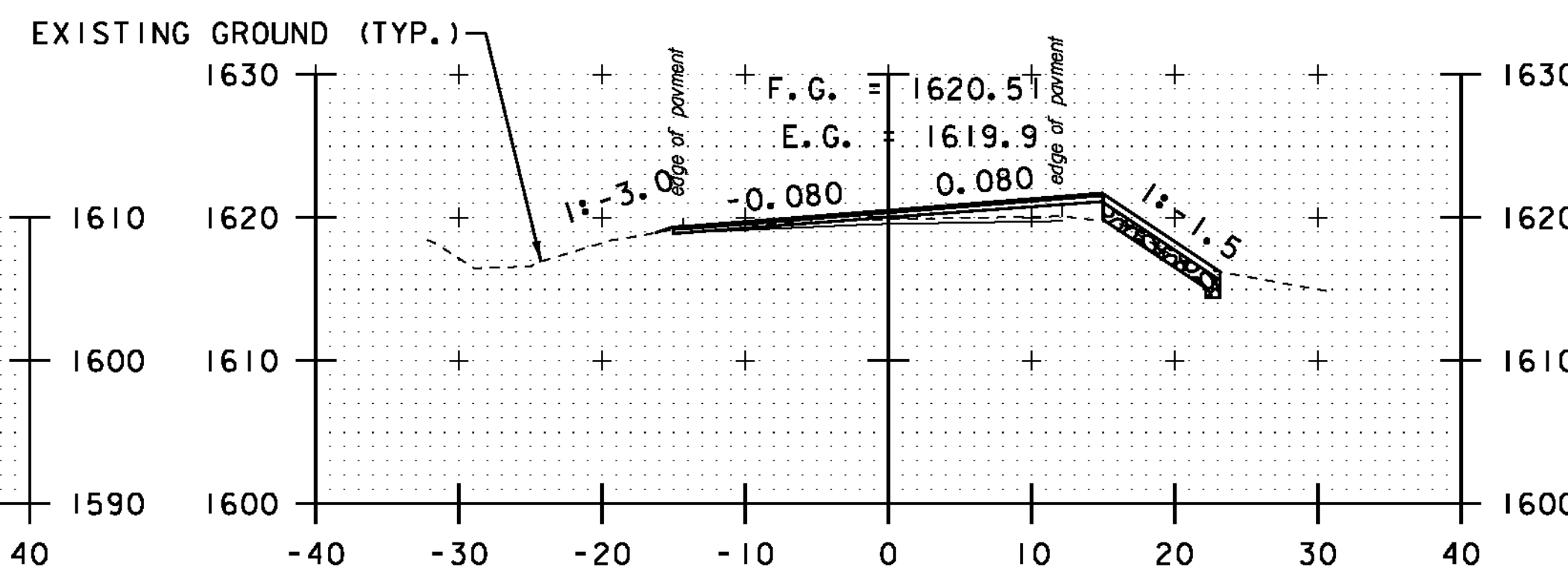
A 65+00



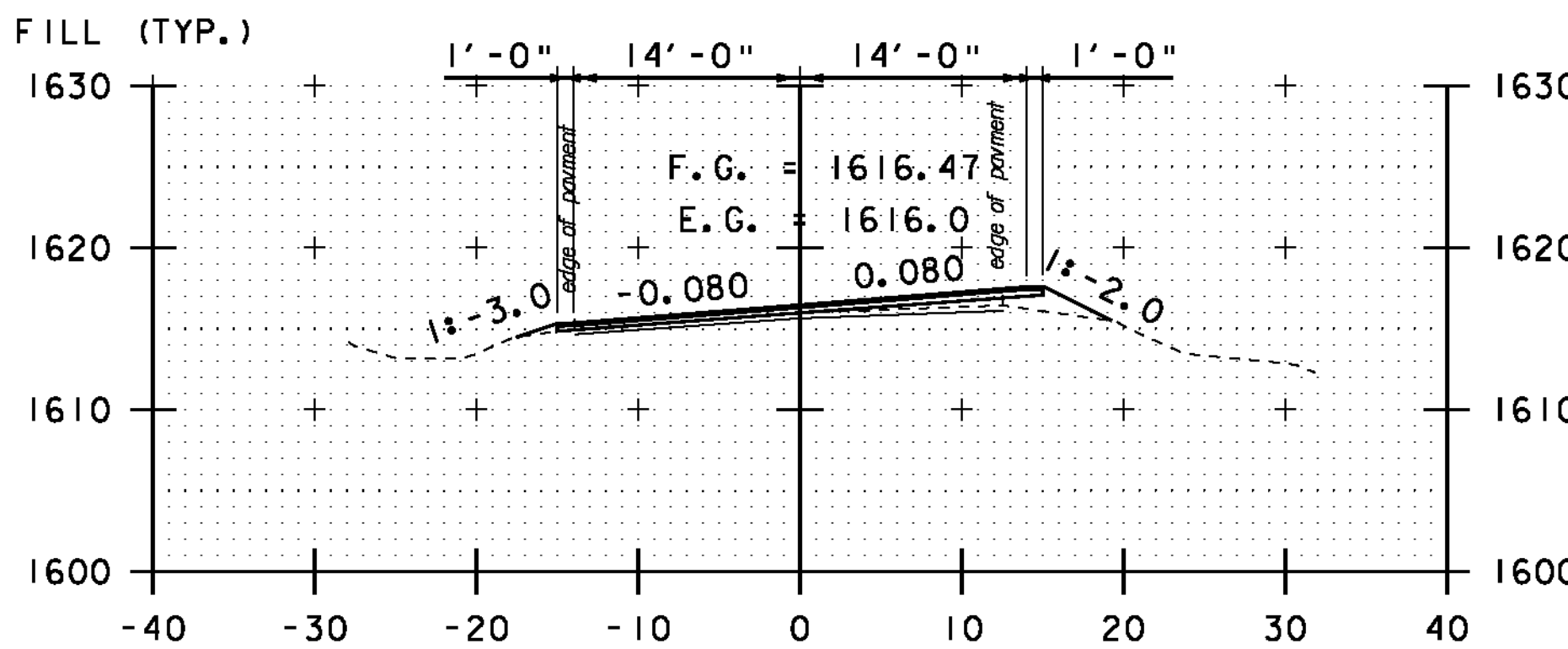
A 64+50



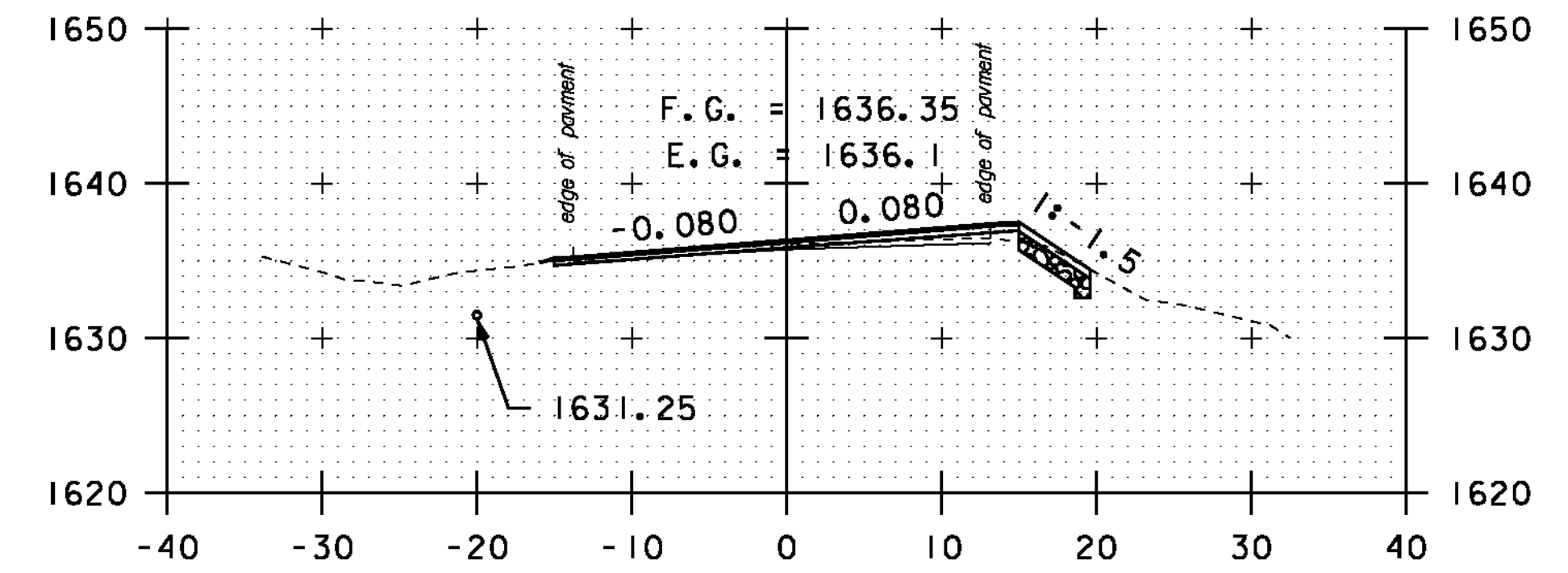
A 67+50



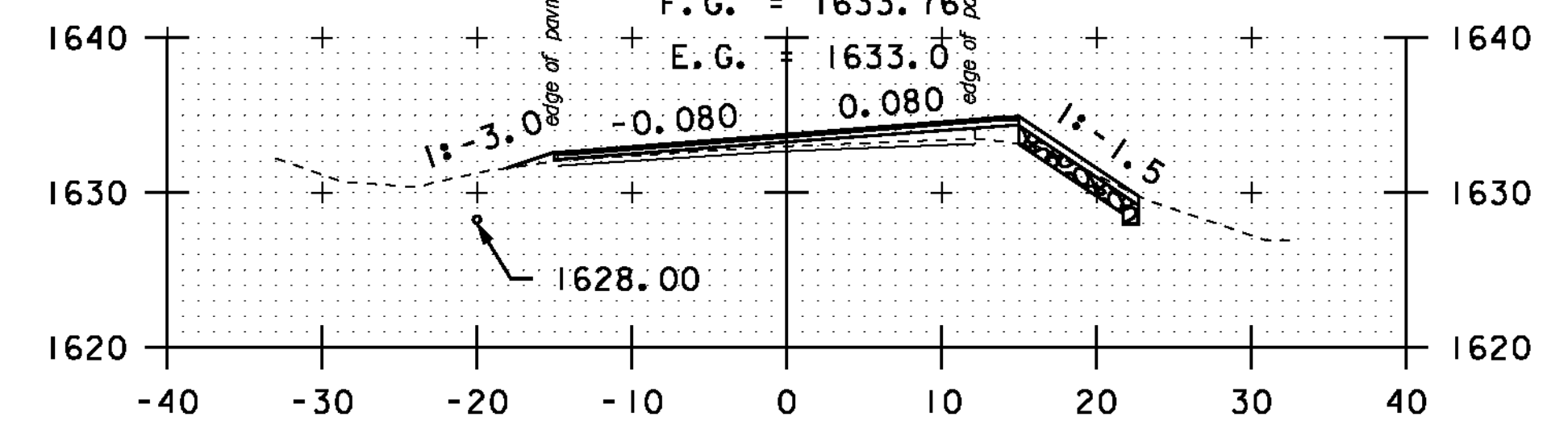
A 67+00



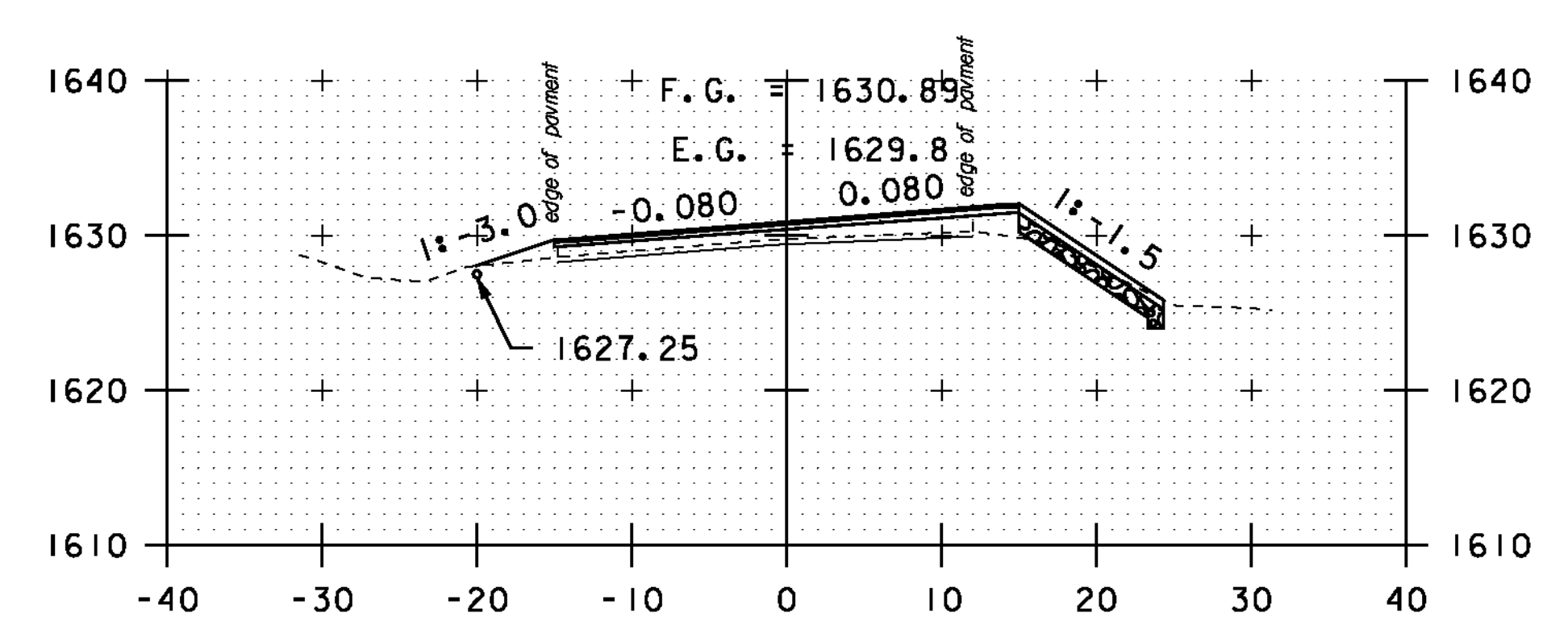
A 66+50



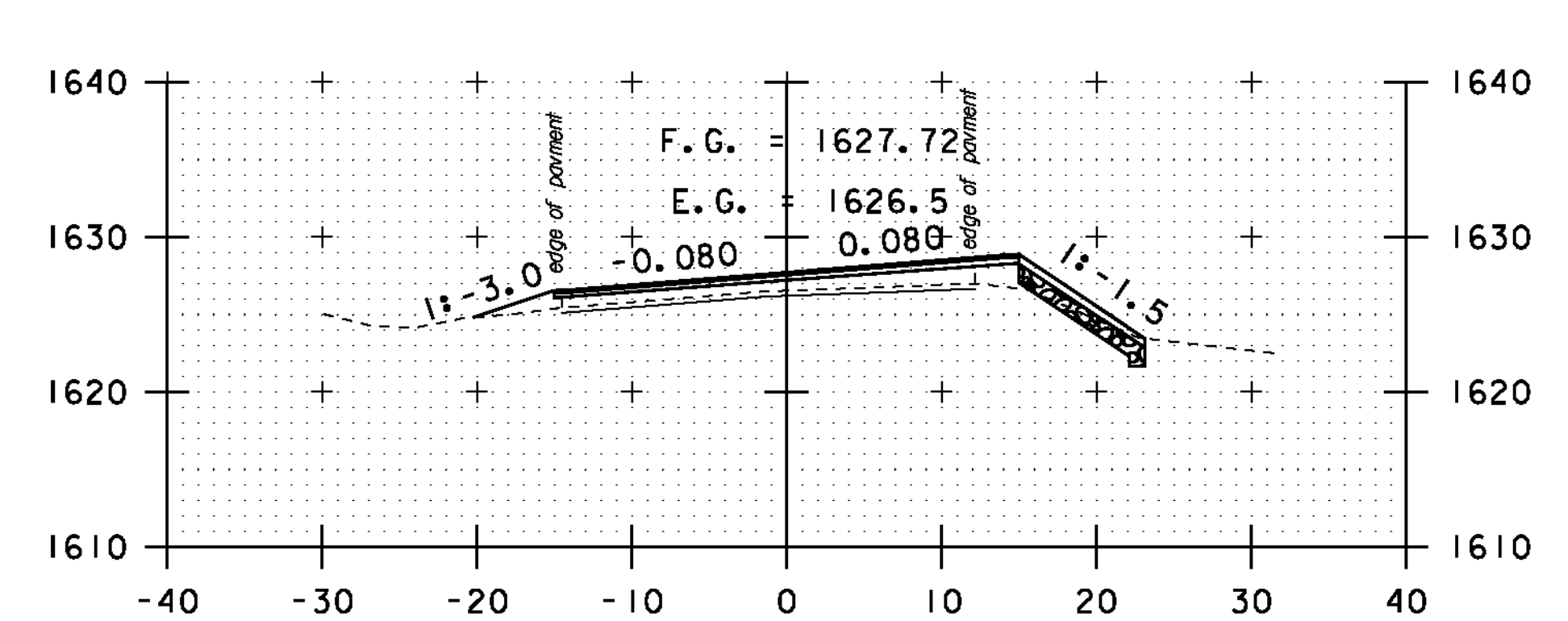
A 69+50



A 69+00



A 68+50



A 68+00

STA. A 64+50 TO STA. A 69+50



**CROSS SECTION SHEET 49**

PROJECT NAME: MONTGOMERY-WESTFIELD  
PROJECT NUMBER: STP 2906(I)  
FILE NAME: p10ci90.dgn  
PROJECT LEADER: CDL  
DESIGNED BY: SJL  
PLOT FILE: p10ci90\_163.1  
PLOT DATE: 9/5/12  
DRAWN BY: SJL  
CHECKED BY: CDL  
SHEET 163 OF 178