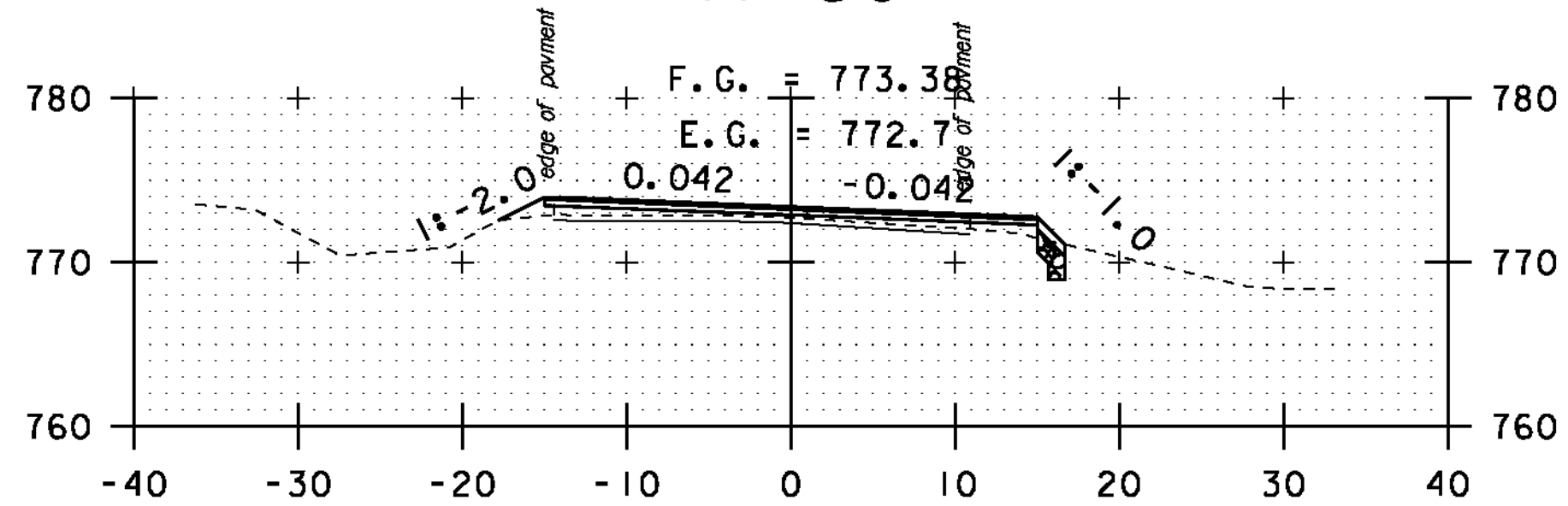
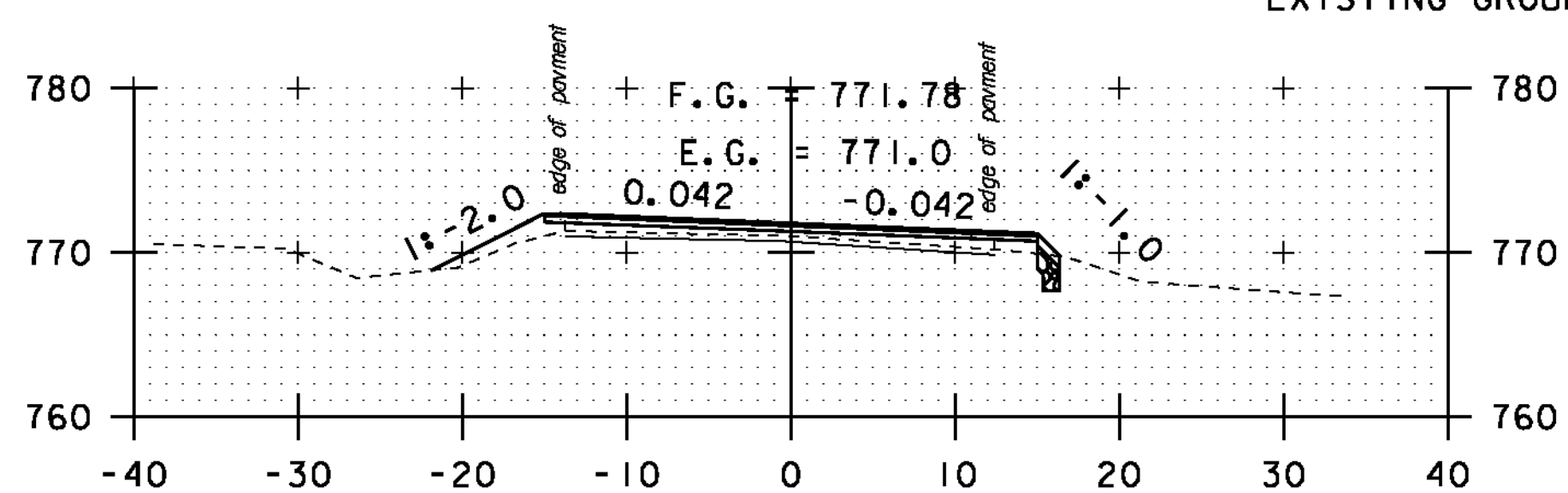


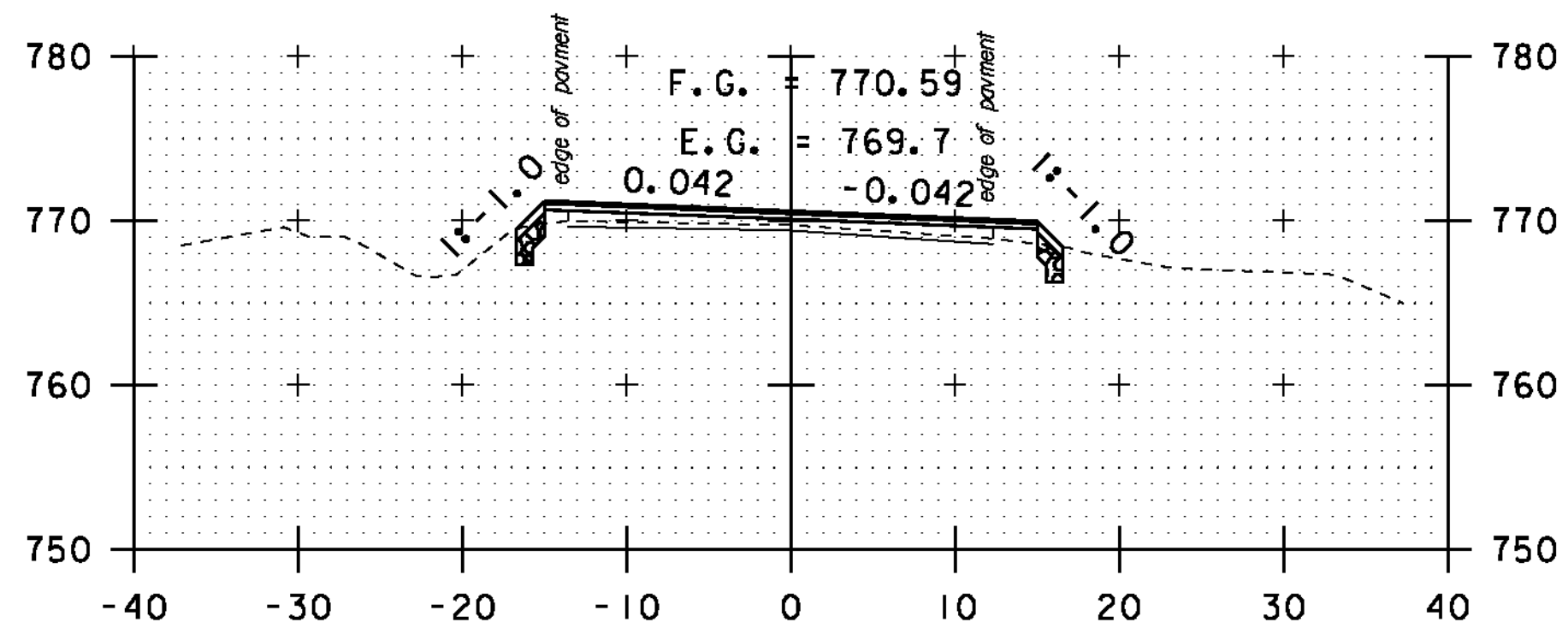
DRIVE LT
47+50



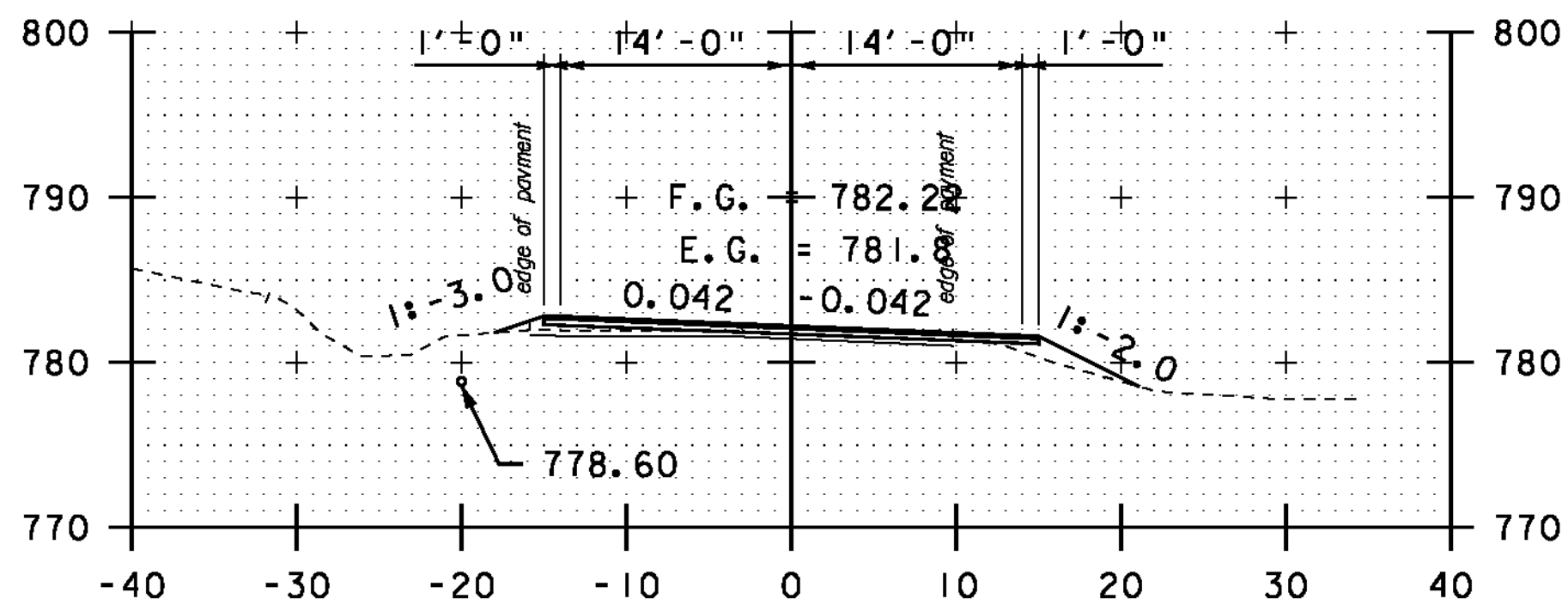
47+00



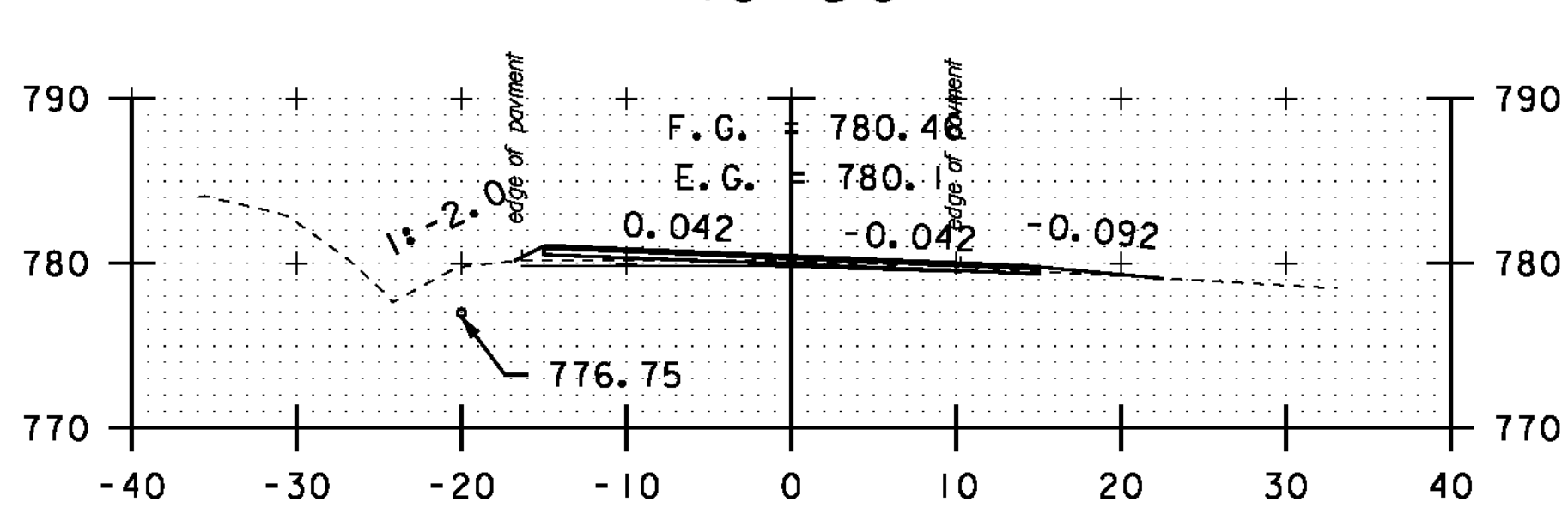
46+50



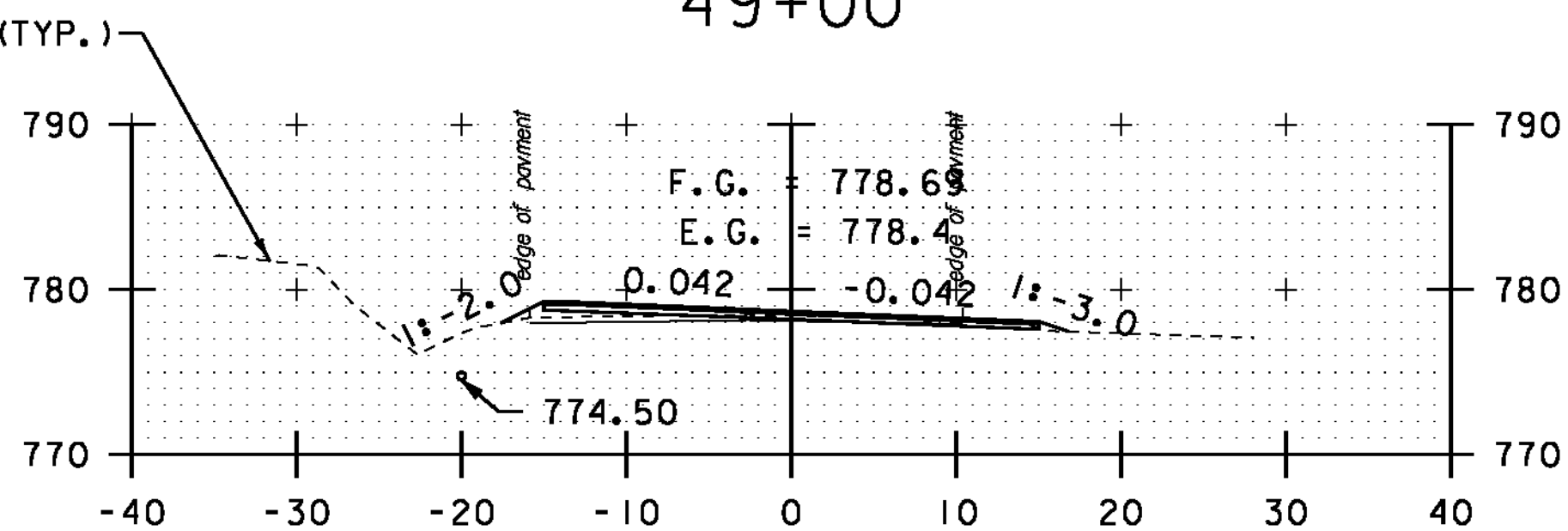
46+00



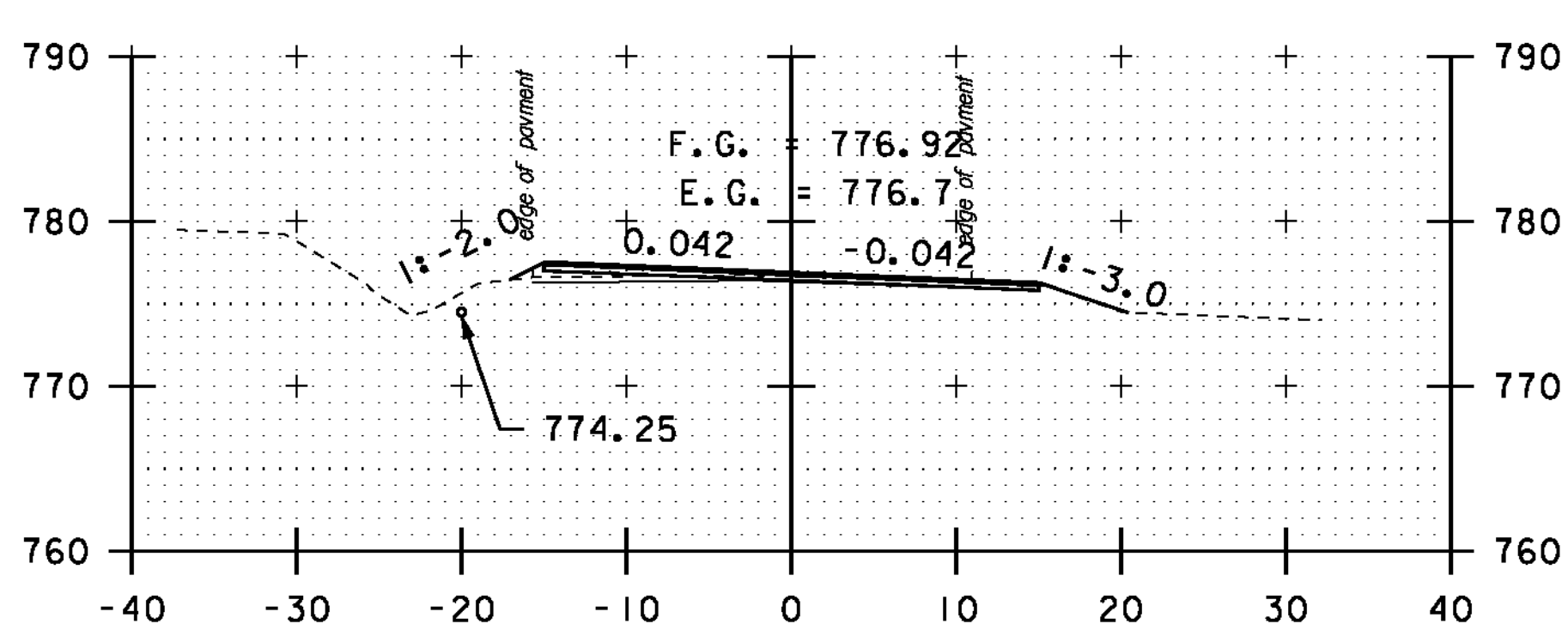
49+50



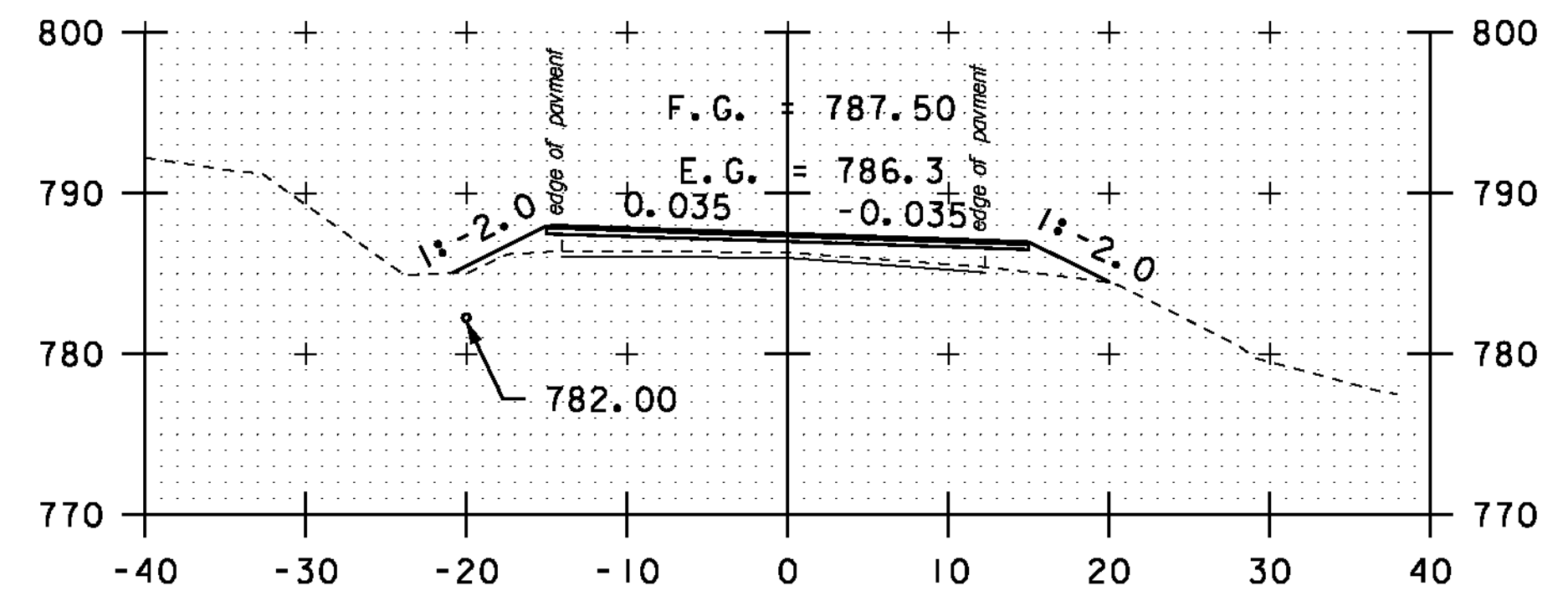
DRIVE RT
49+00



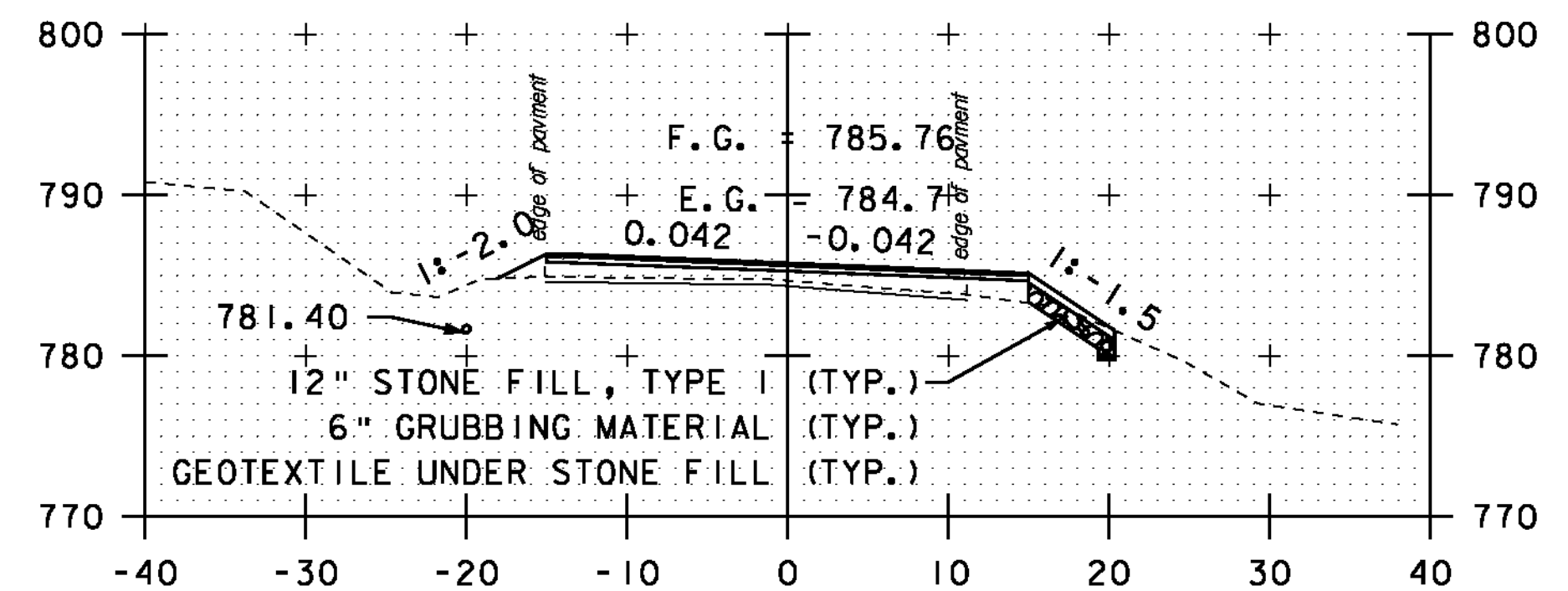
48+50



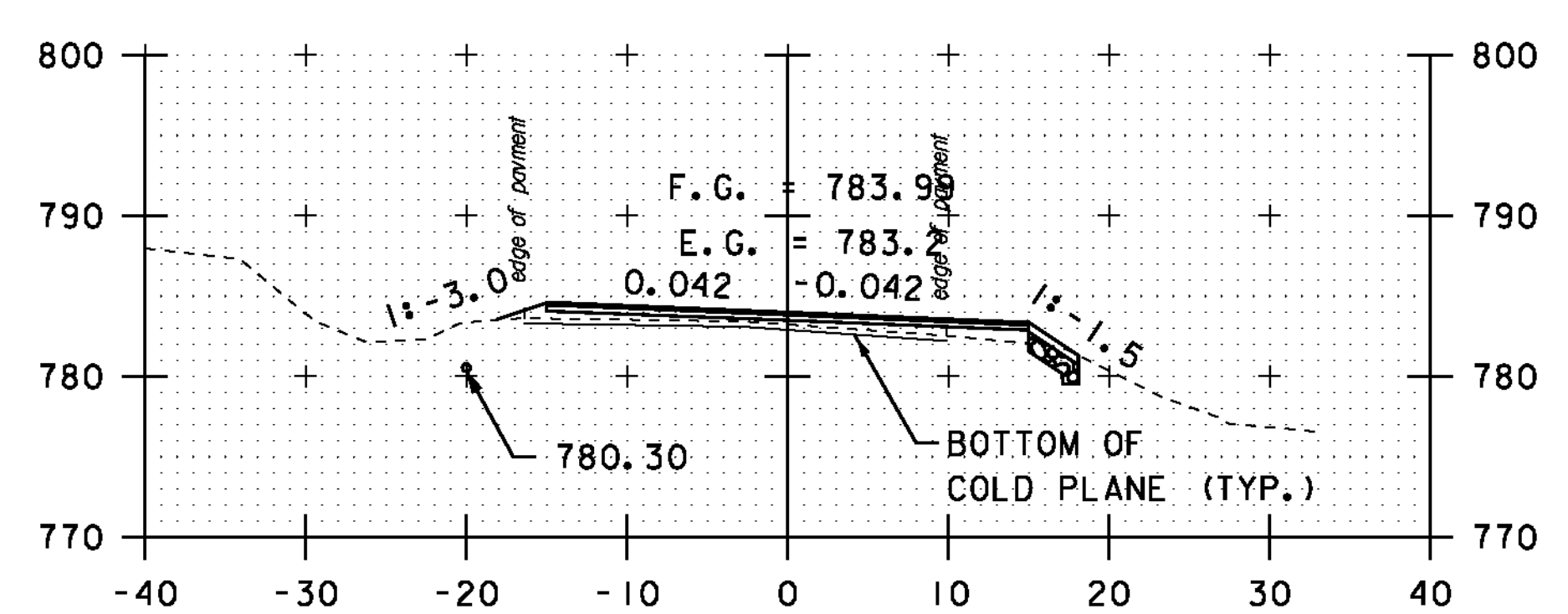
48+00



51+00



50+50



50+00

STA. 46+00 TO STA. 51+00

SCALE 1" = 10'-0"
10 0 10

CROSS SECTION SHEET 10

PROJECT NAME: MONTGOMERY-WESTFIELD
PROJECT NUMBER: STP 2906(I)
FILE NAME: p10ci90.dgn
PROJECT LEADER: CDL
DESIGNED BY: SJL
PLOT FILE: p10ci90.i24.j
PLOT DATE: 9/5/12
DRAWN BY: SJL
CHECKED BY: CDL
SHEET 124 OF 178