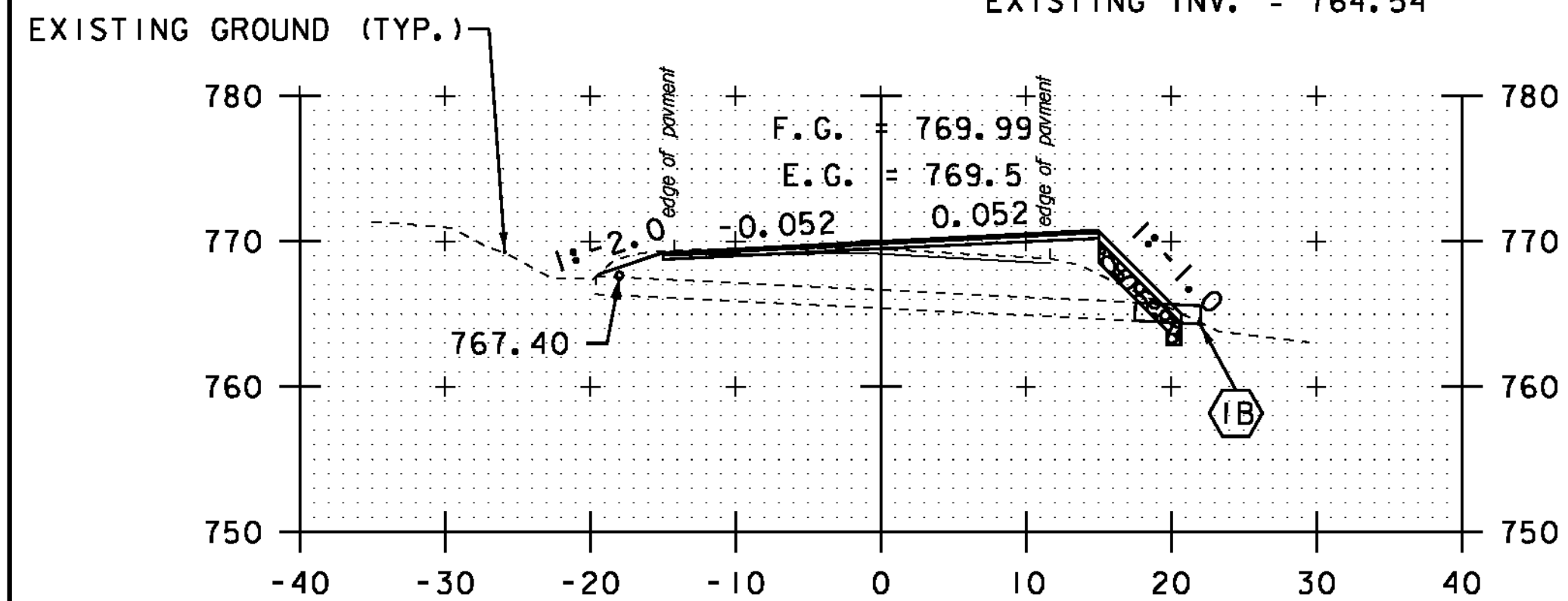
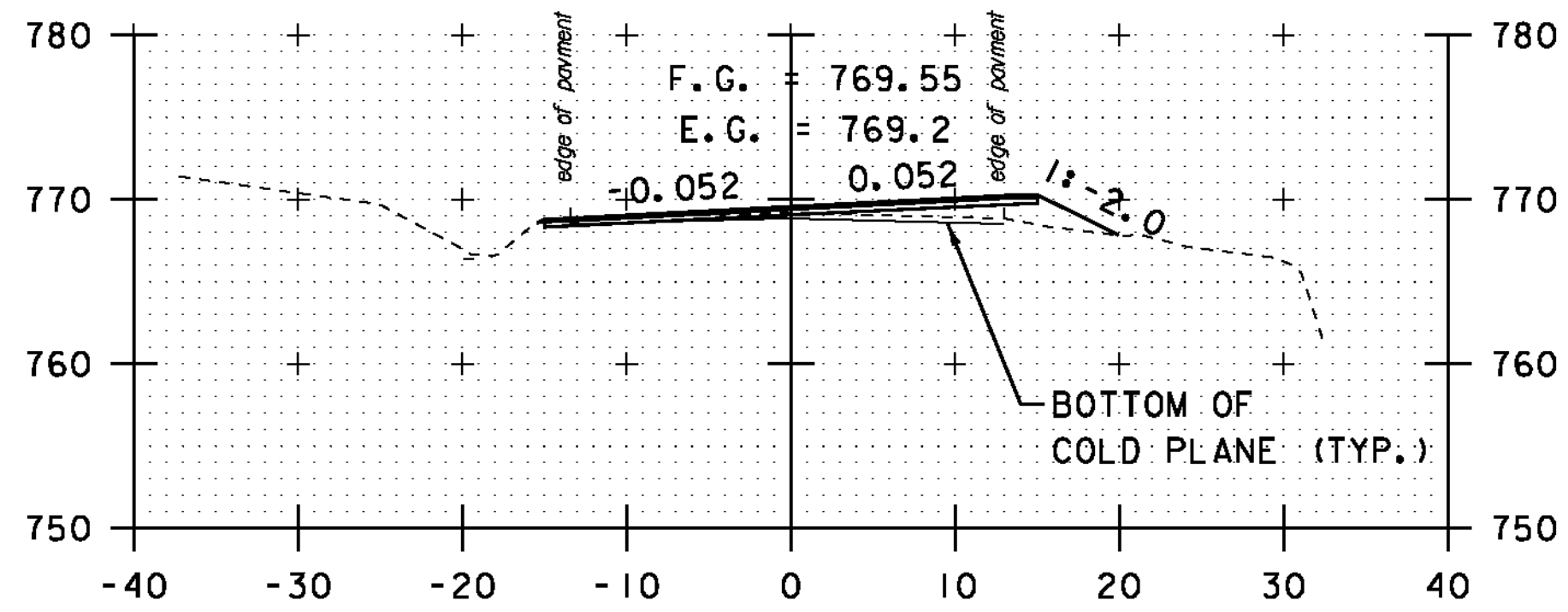


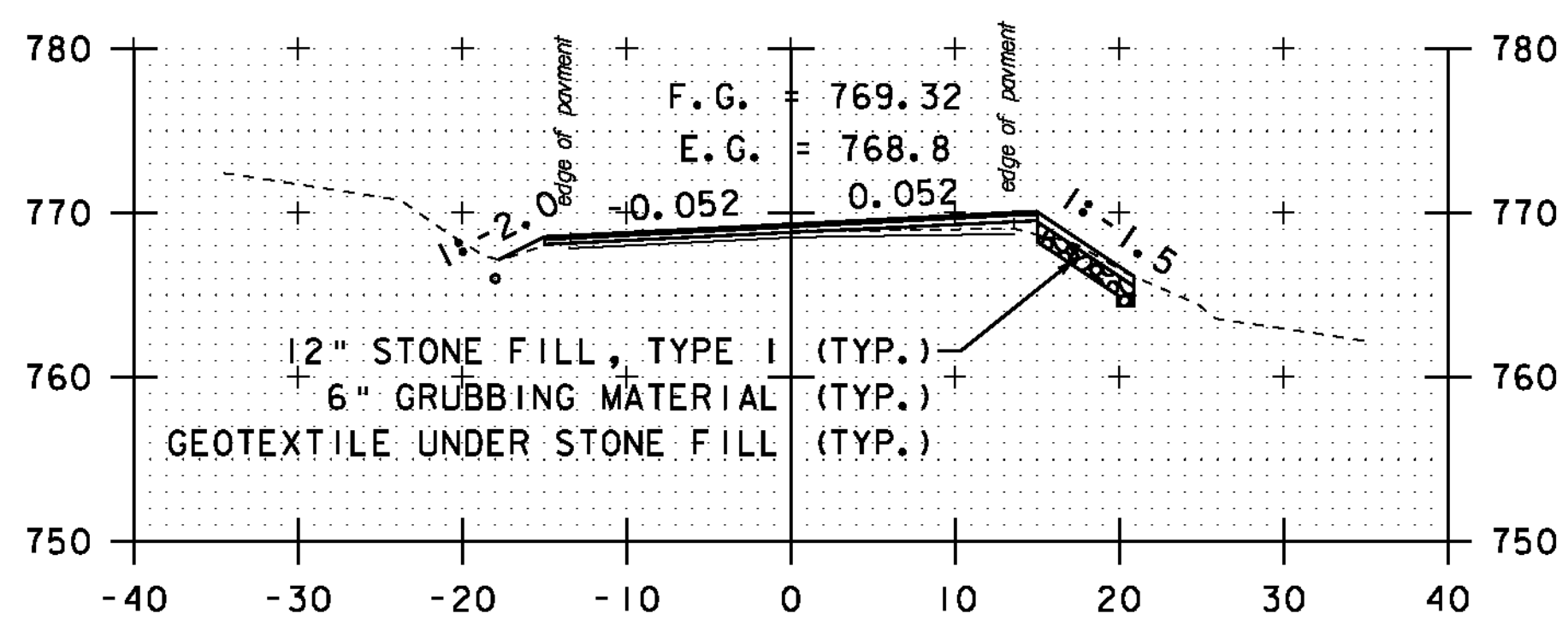
(IB) STA. 37+95.28 RT 17.48' TO
 STA. 37+95.40 RT 21.98'
 EXTEND 15" CMP (4'-6")
 PROPOSED INV. = 764.32
 EXISTING INV. = 764.54



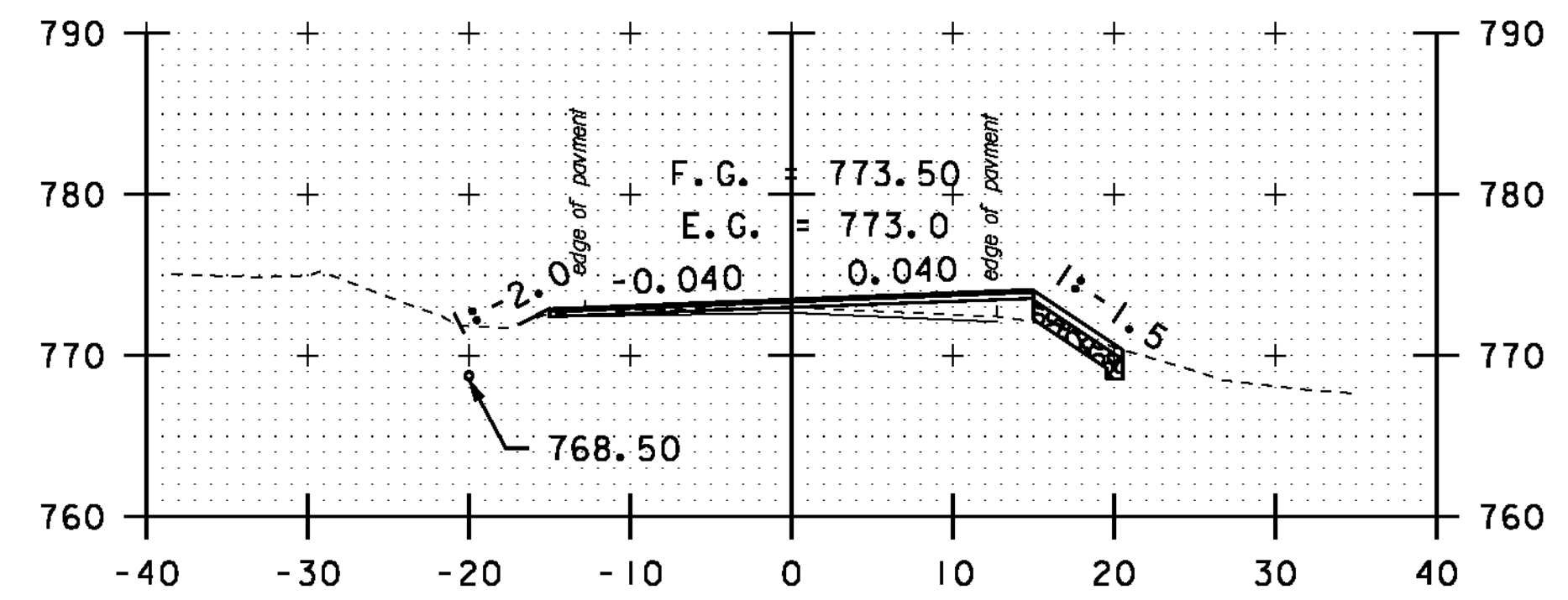
38+00



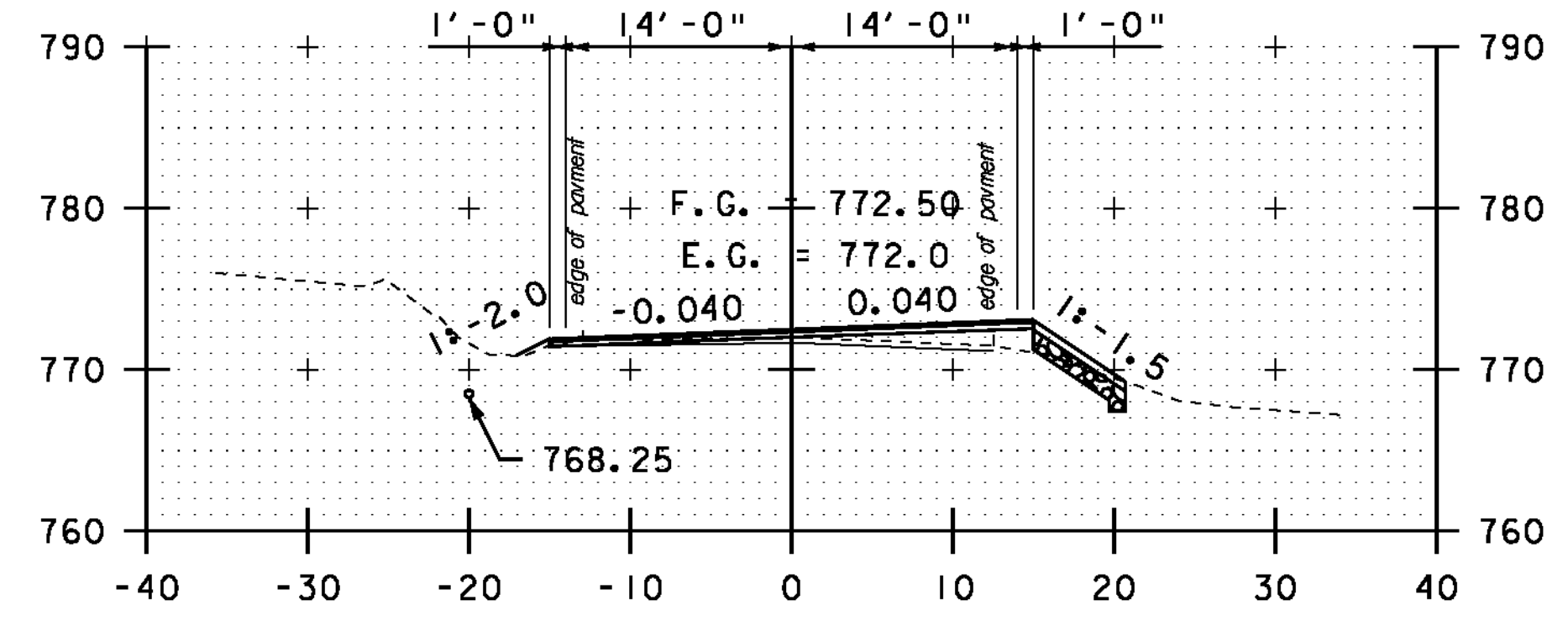
37+50



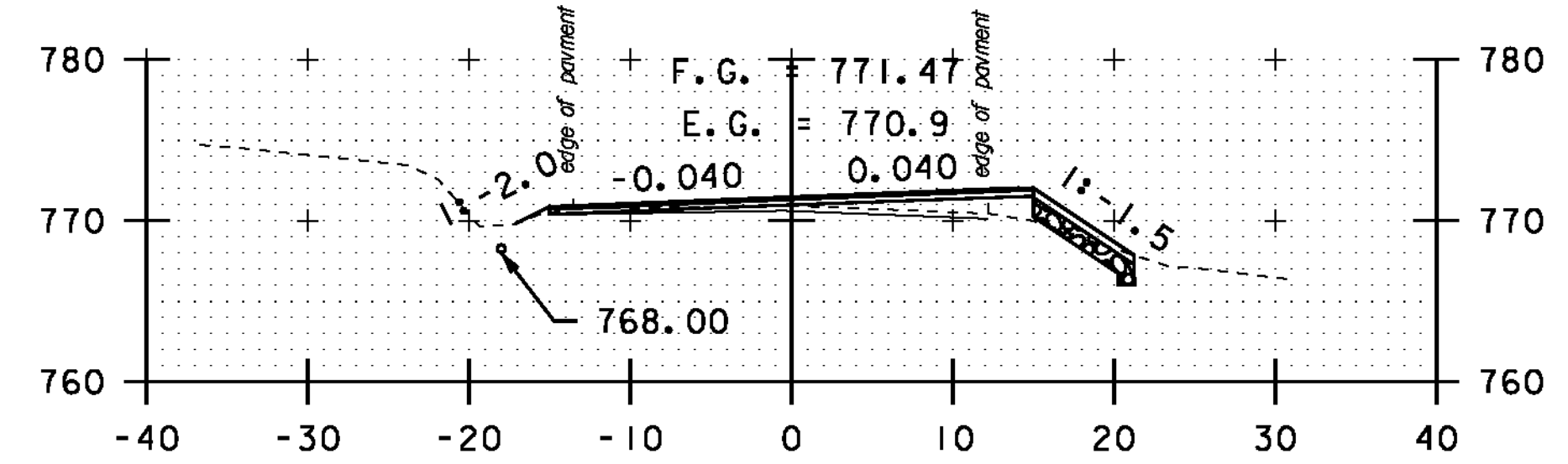
37+00



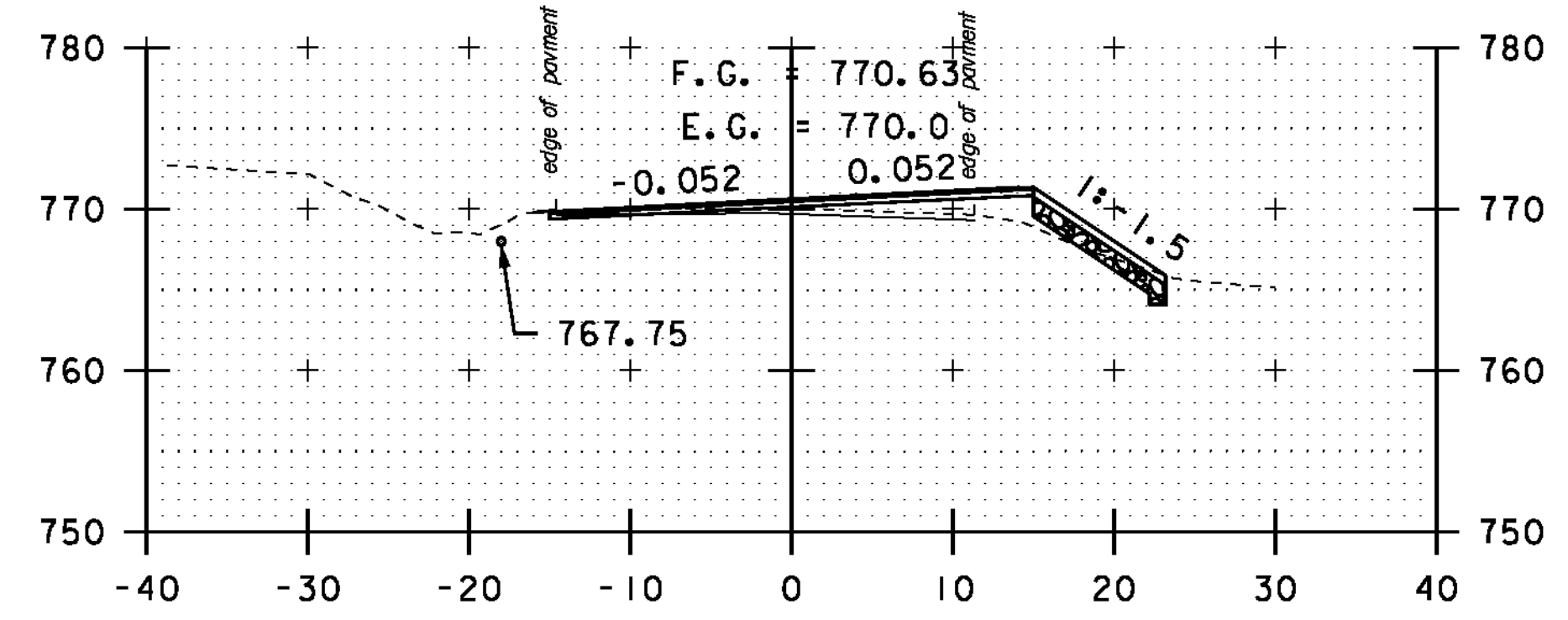
40+00



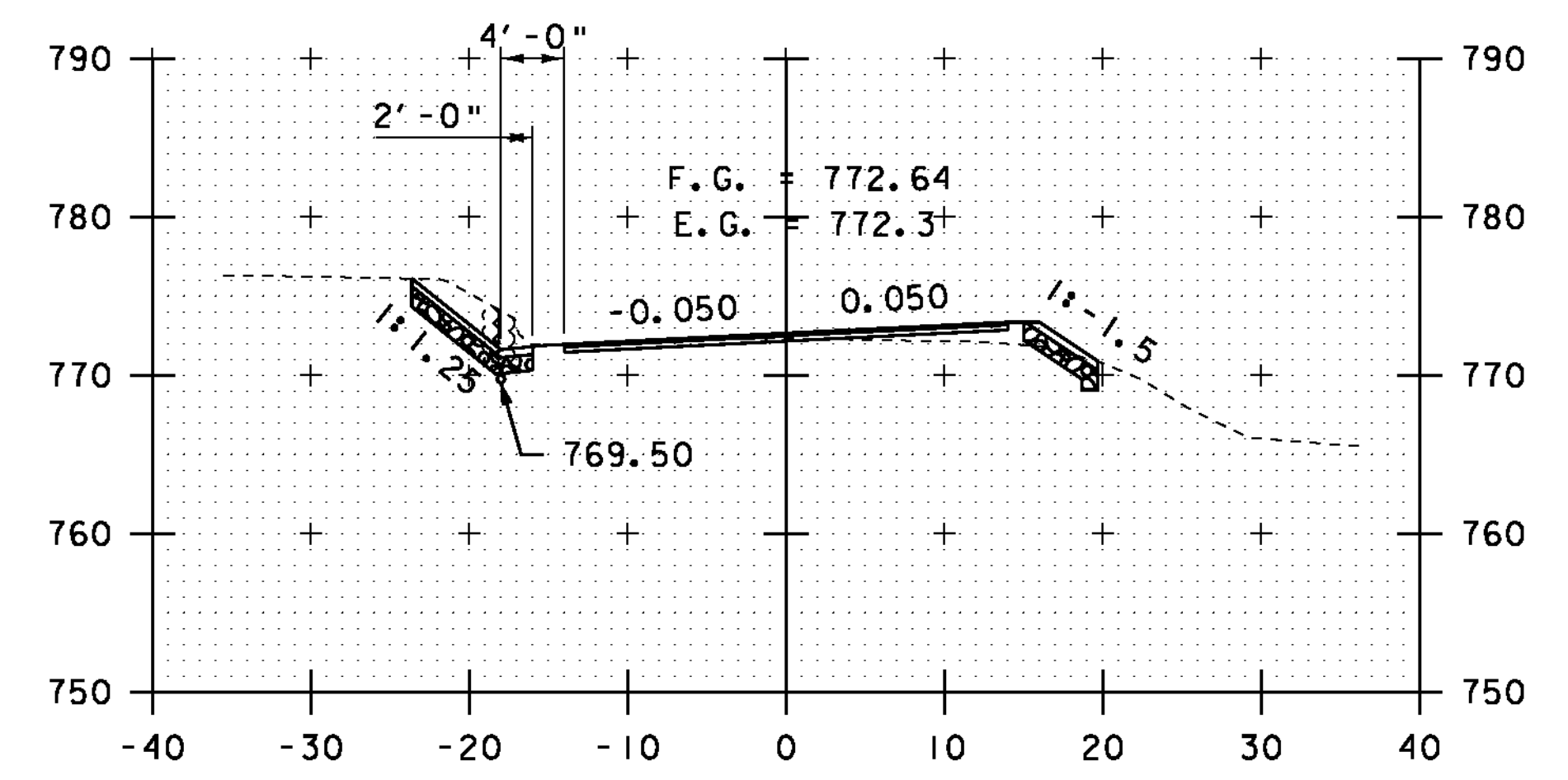
39+50



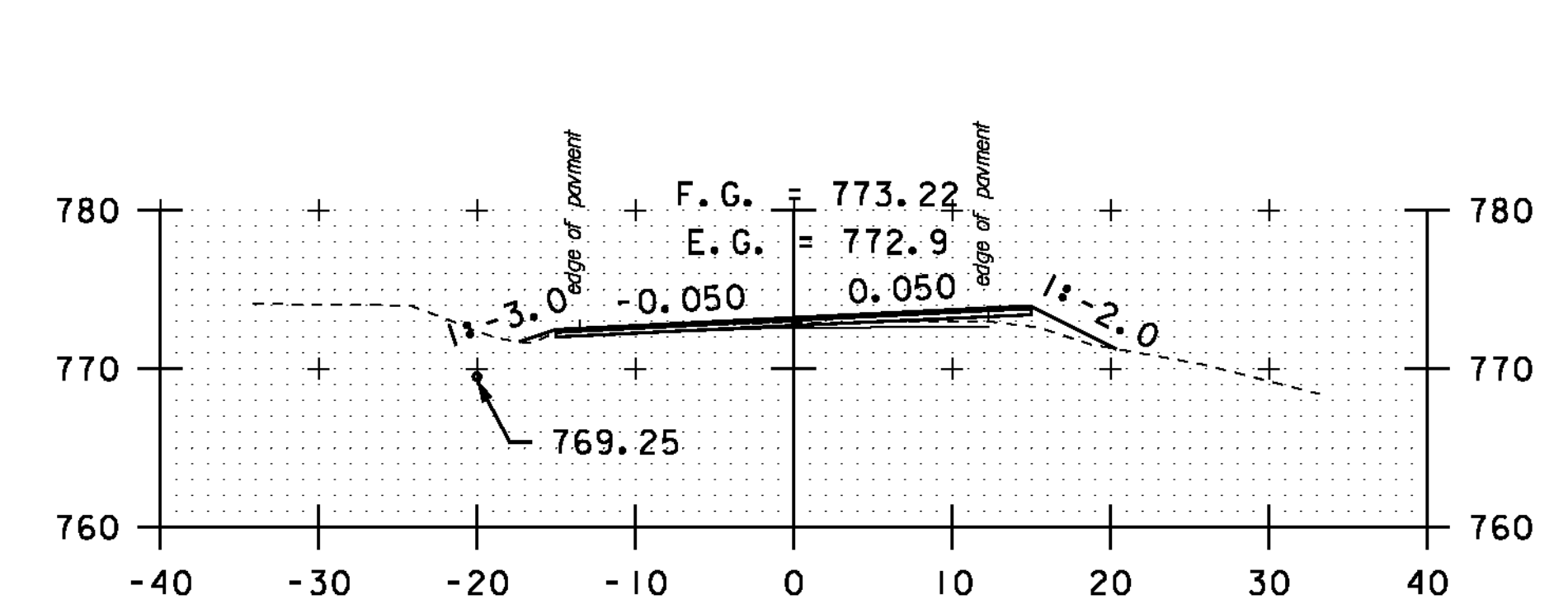
39+00



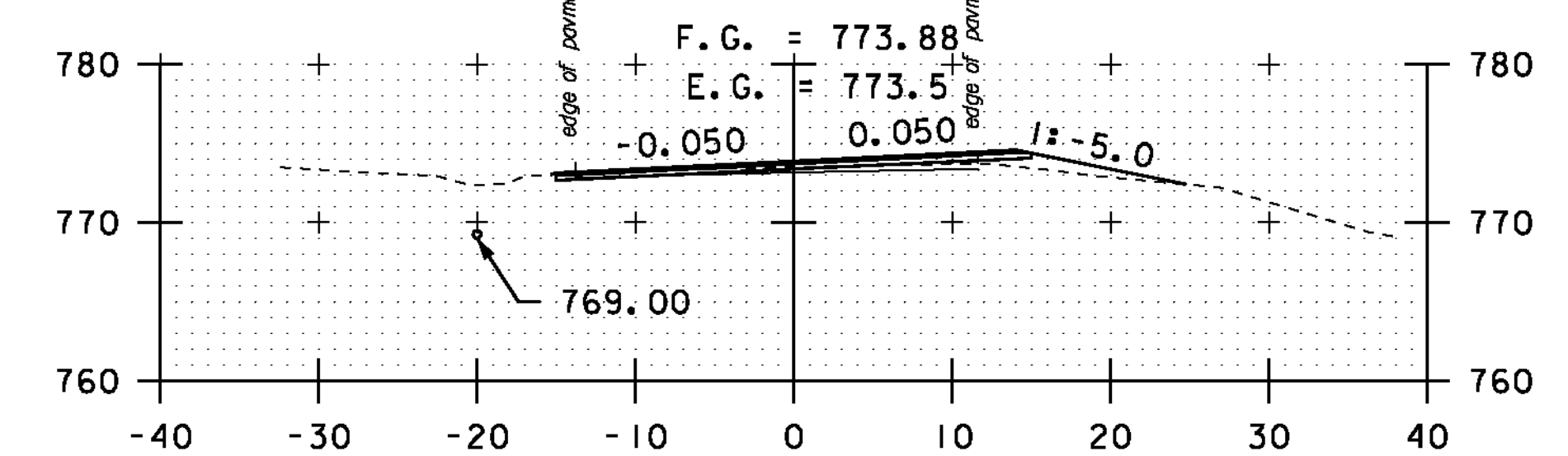
38+50



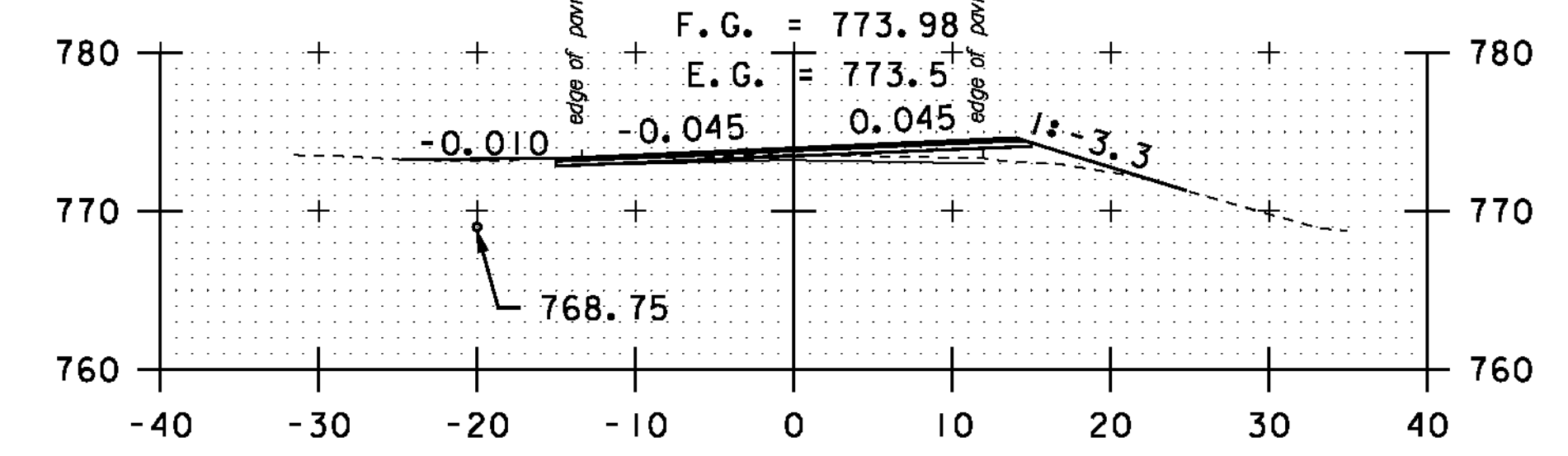
42+00



41+50

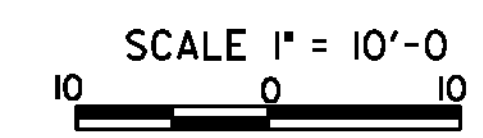


DRIVE RT
41+00



DRIVE LT/ DRIVE RT
40+50

STA. 37+00 TO STA. 42+00



CROSS SECTION SHEET 8

PROJECT NAME: MONTGOMERY-WESTFIELD	PLOT DATE: 9/5/12
PROJECT NUMBER: STP 2906(I)	DRAWN BY: SJL
FILE NAME: p10ci90.dgn	CHECKED BY: CDL
PROJECT LEADER: CDL	SHEET 122 OF 178
DESIGNED BY: SJL	
PLOT FILE: p10ci90.i22.j	