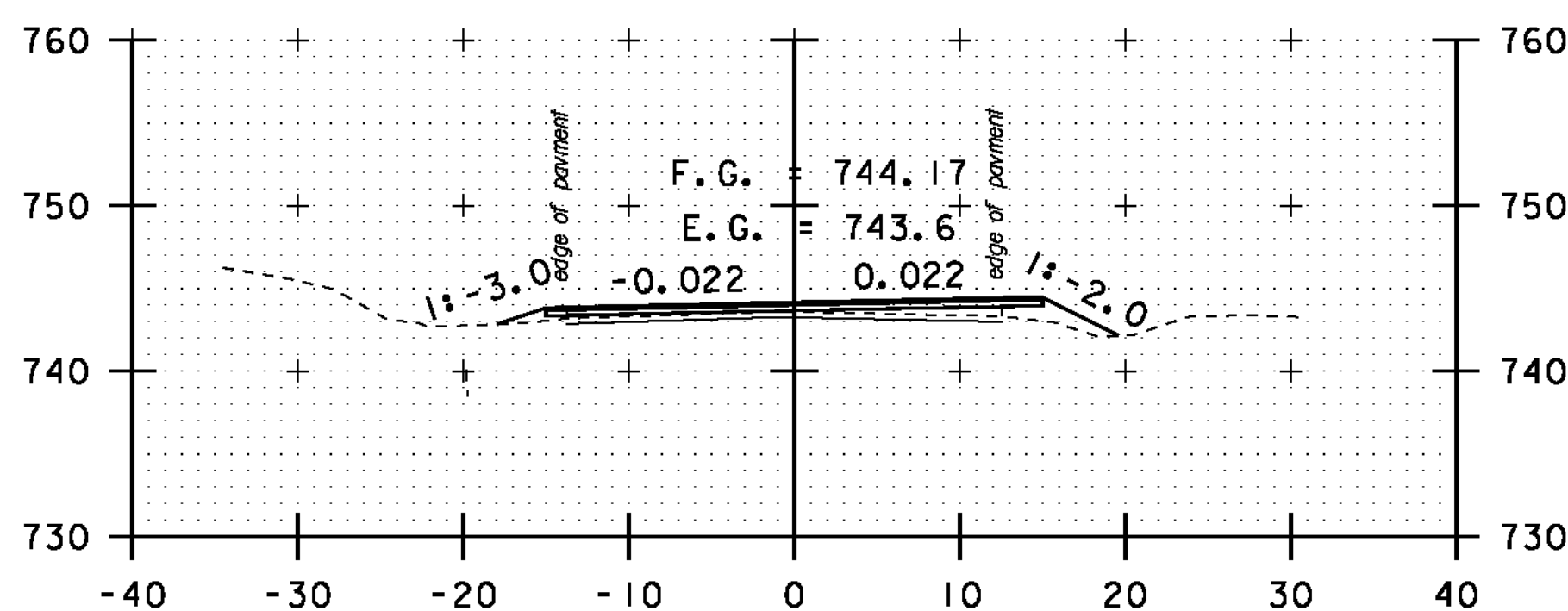
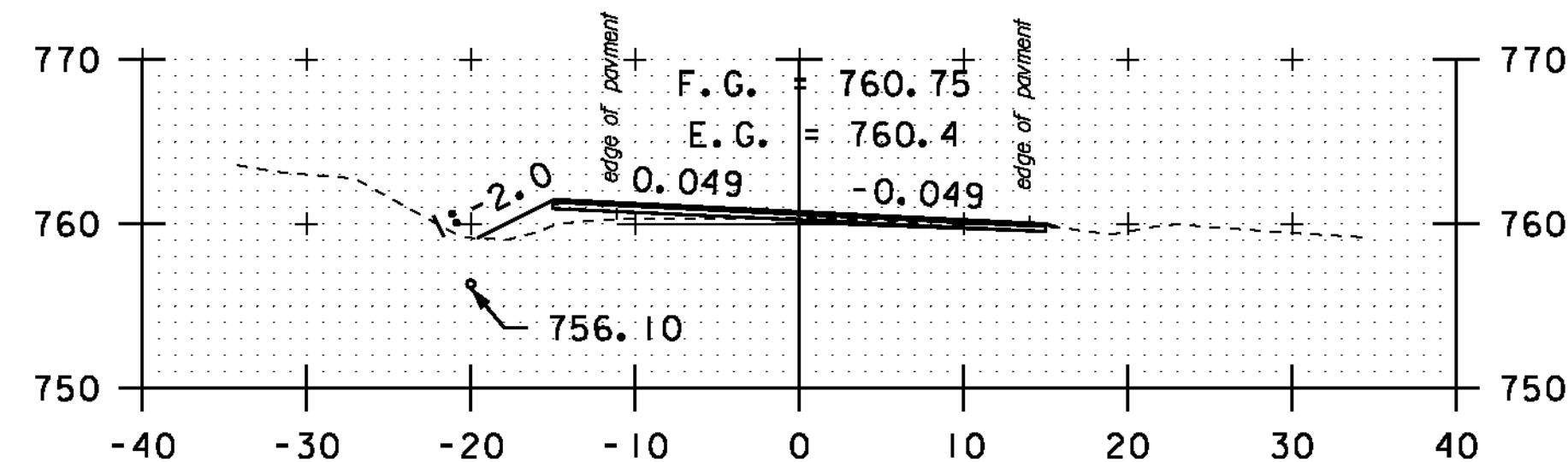


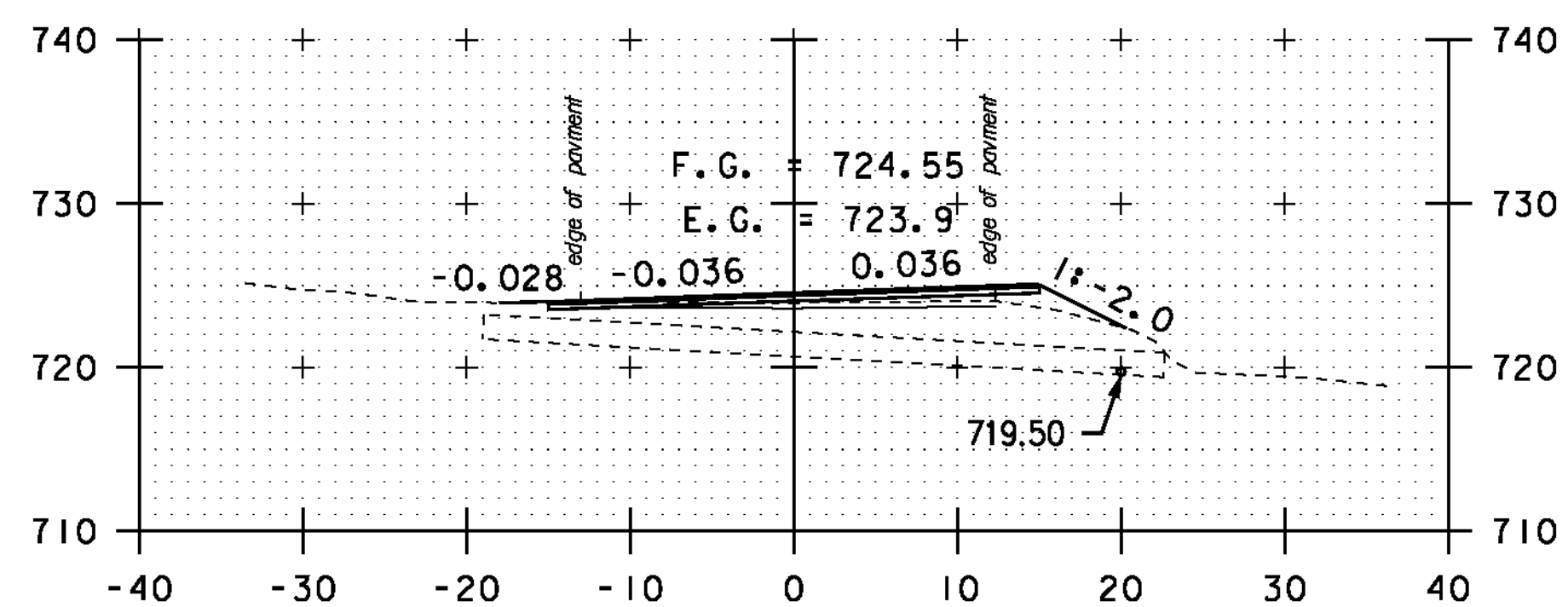
28+50



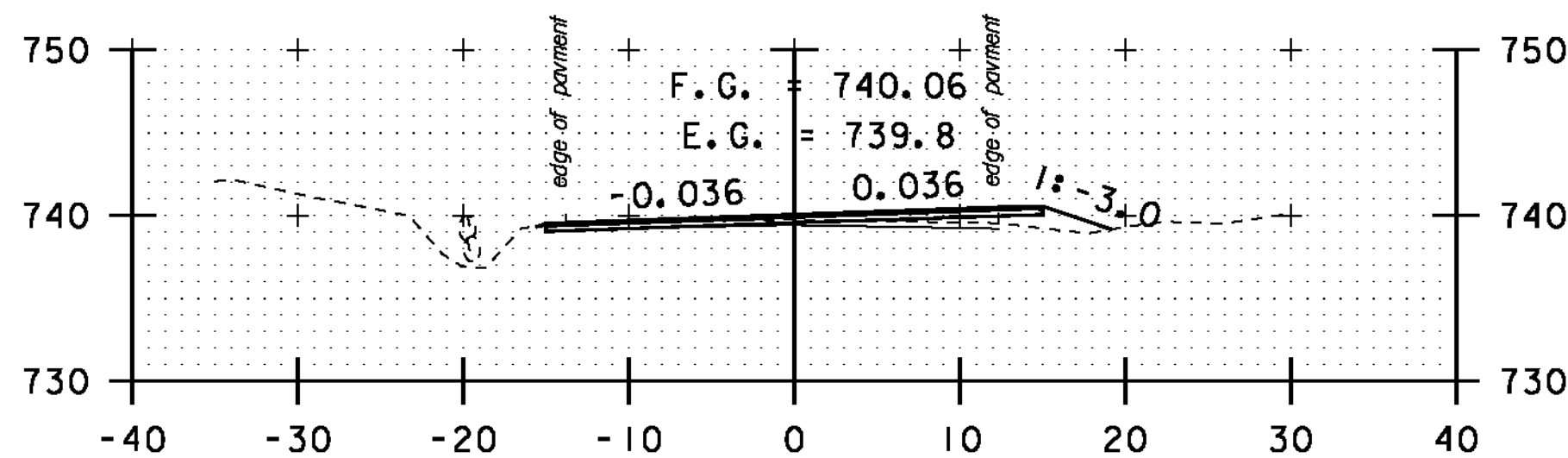
30+50



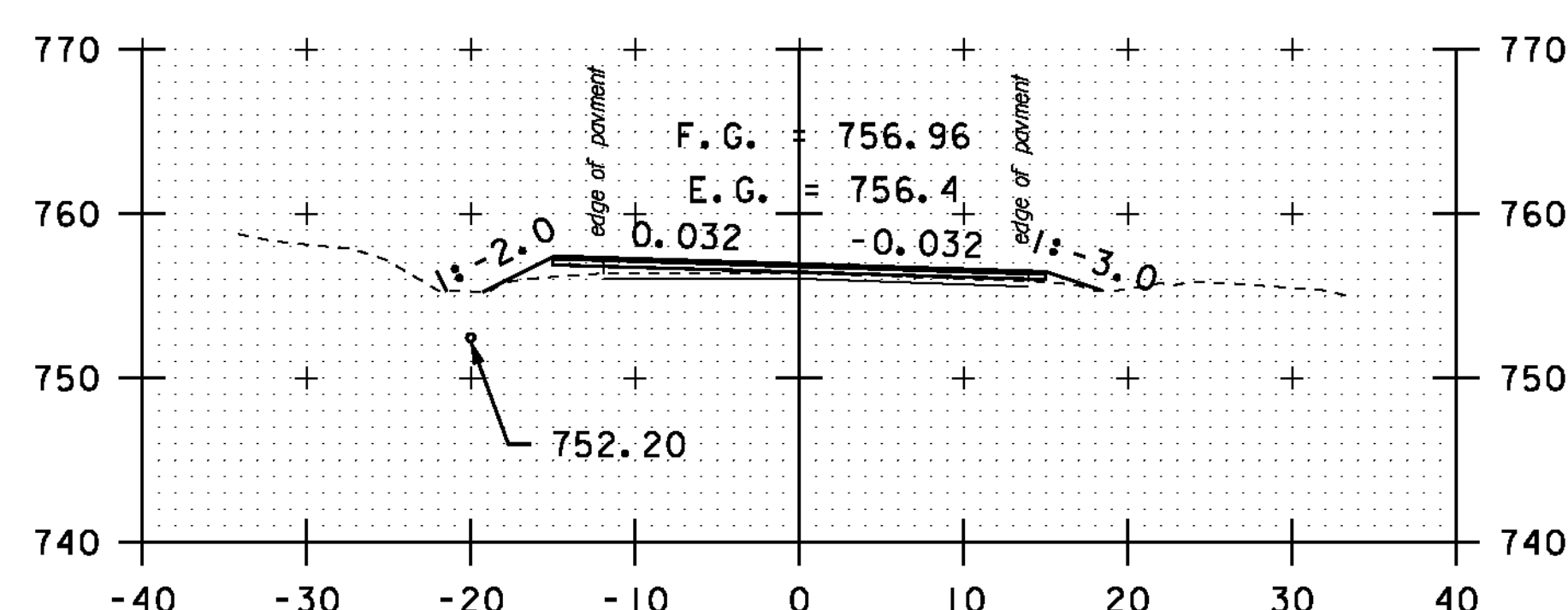
32+50



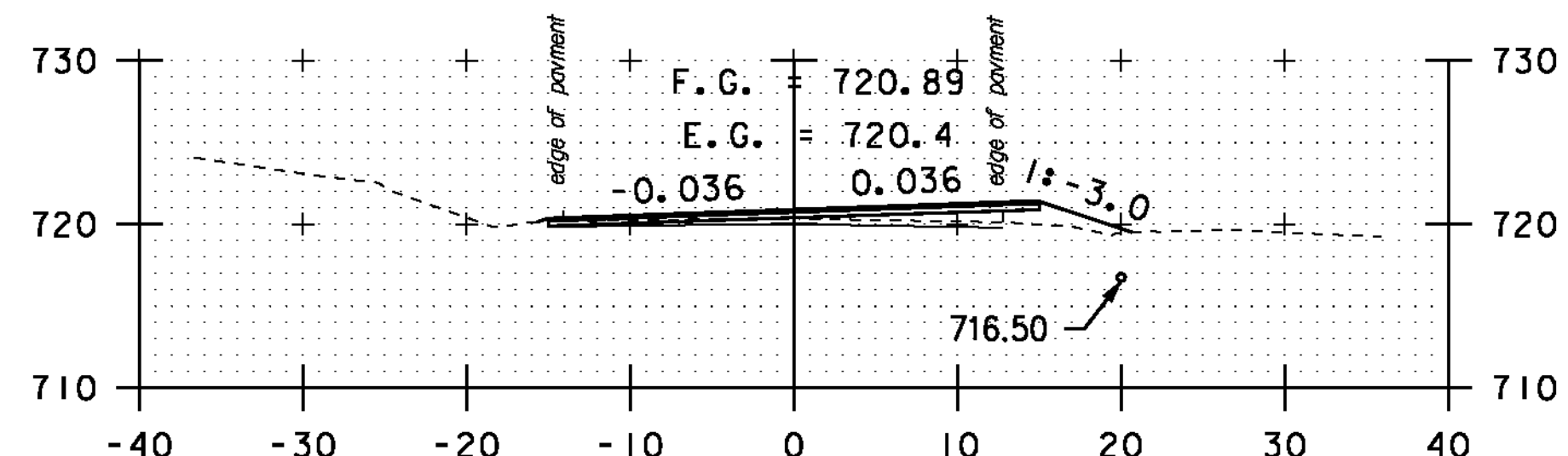
DRIVE LT
28+00



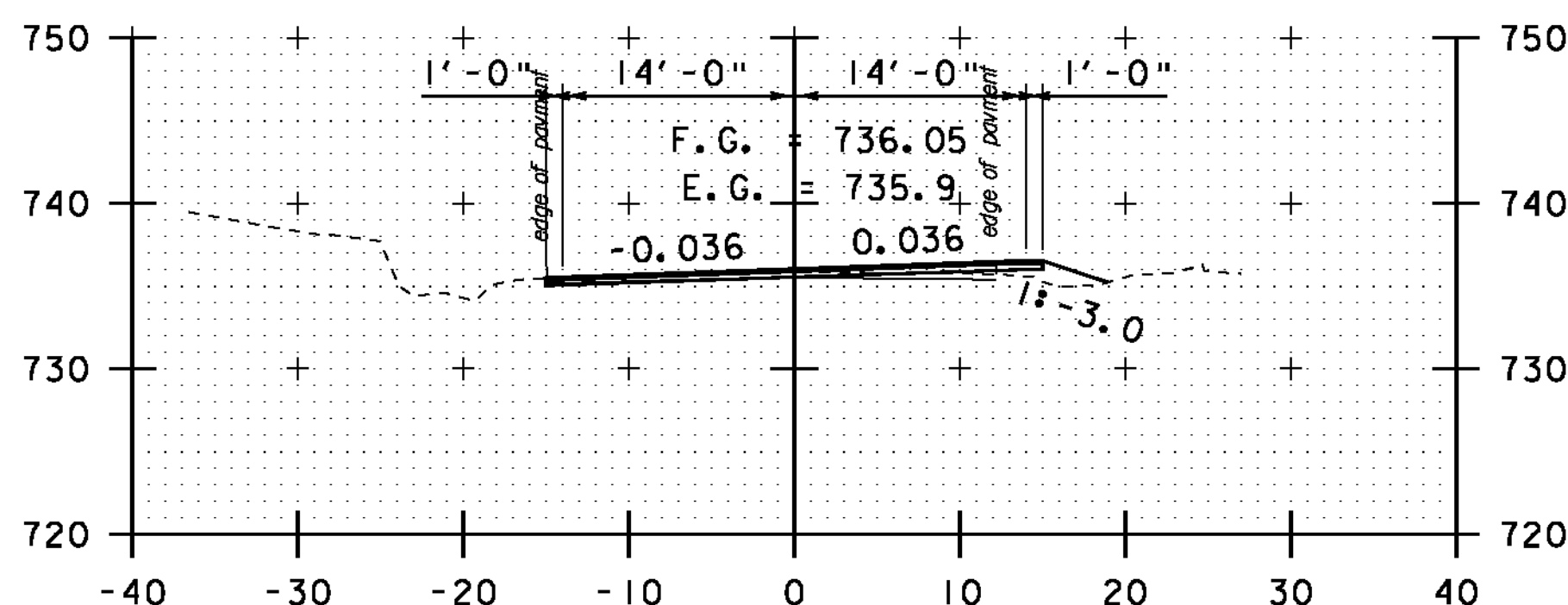
30+00



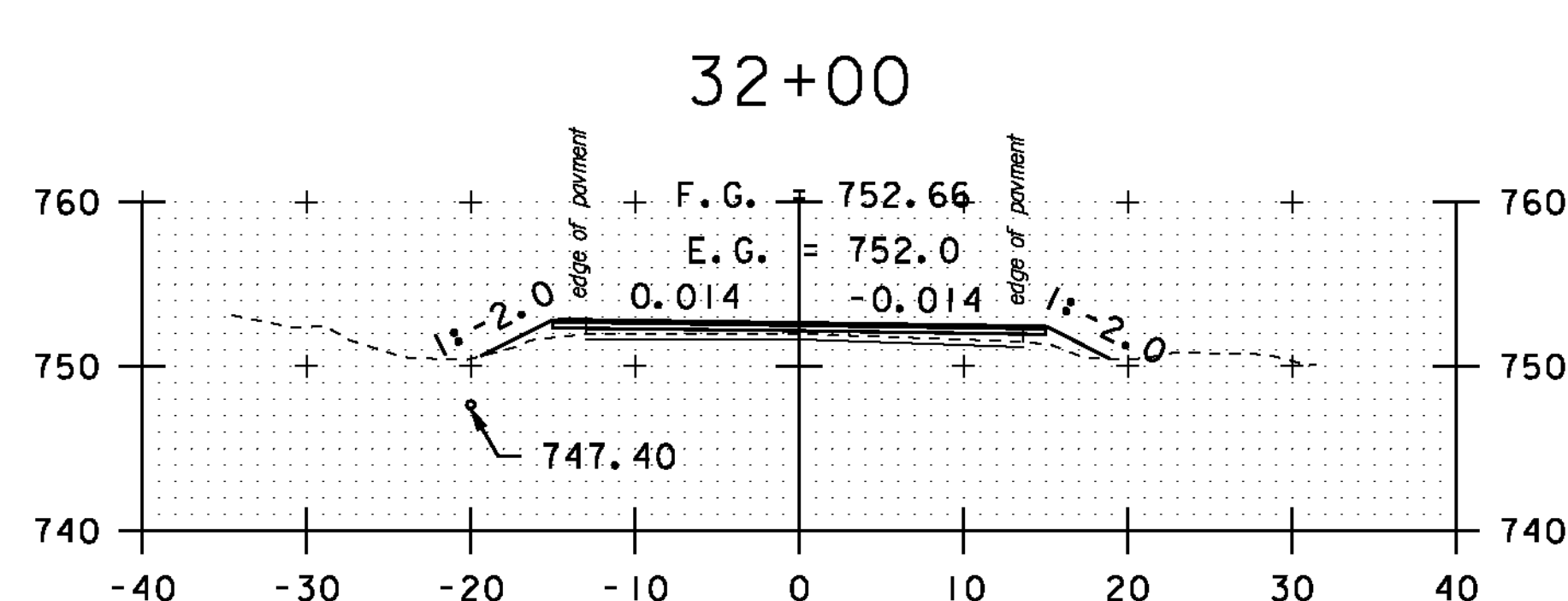
32+00



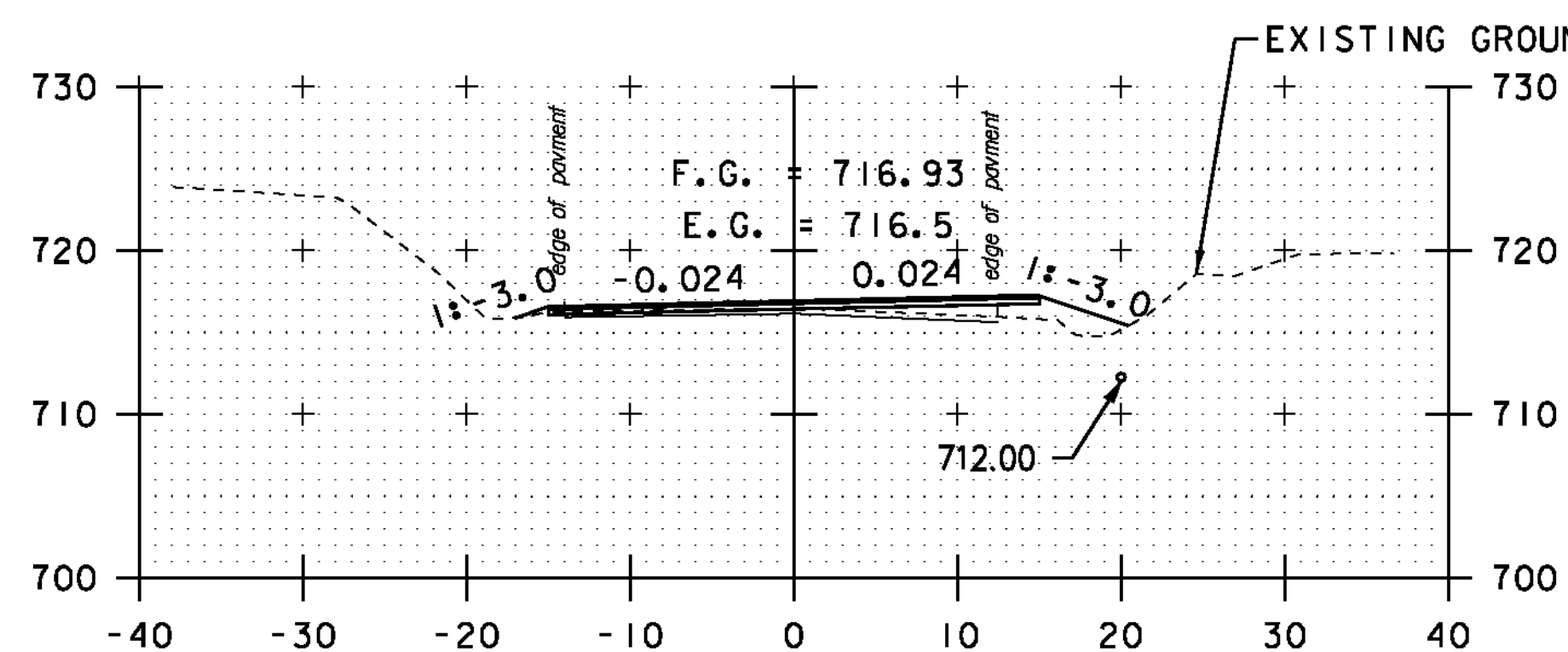
27+50



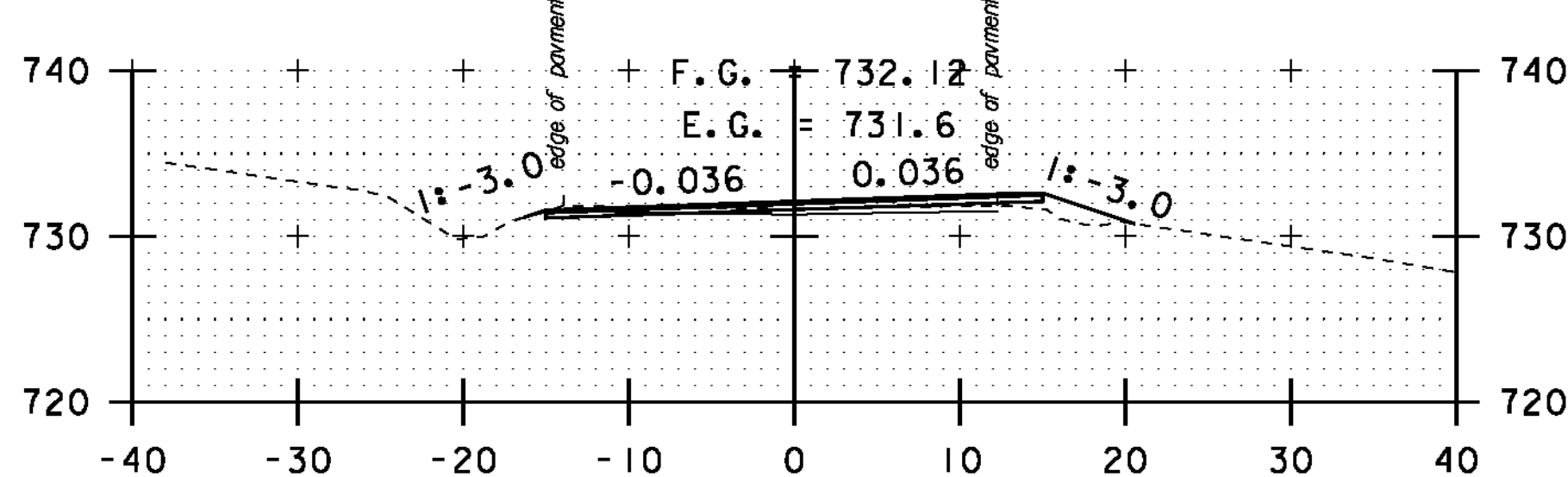
29+50



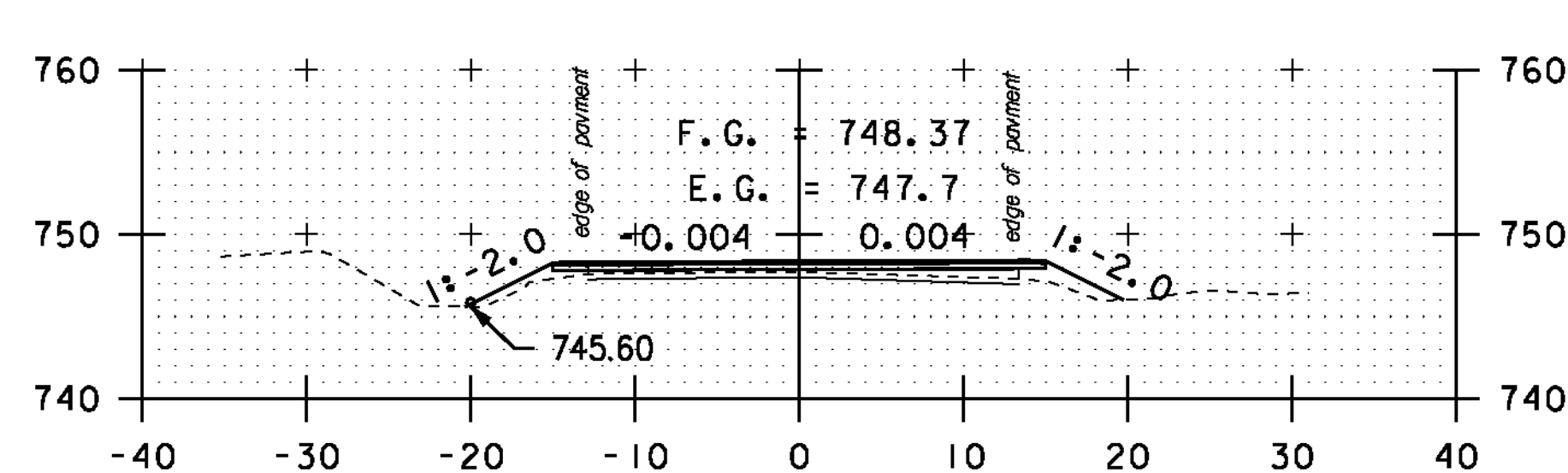
31+50



27+00



29+00



31+00

STA. 27+00 TO STA. 32+50

SCALE 1" = 10'-0"

CROSS SECTION SHEET 6

PROJECT NAME: MONTGOMERY-WESTFIELD
 PROJECT NUMBER: STP 2906(I)
 FILE NAME: p10ci90.dgn
 PROJECT LEADER: CDL
 DESIGNED BY: SJL
 PLOT FILE: p10ci90.i20.i

PLOT DATE: 9/5/12
 DRAWN BY: SJL
 CHECKED BY: CDL
 SHEET 120 OF 178