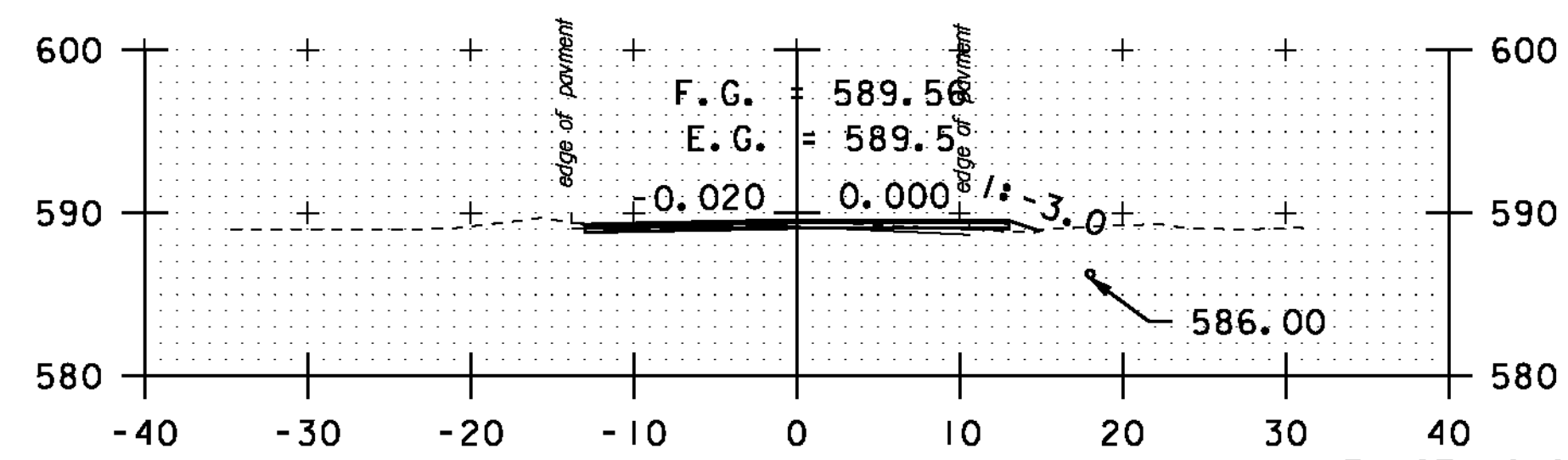
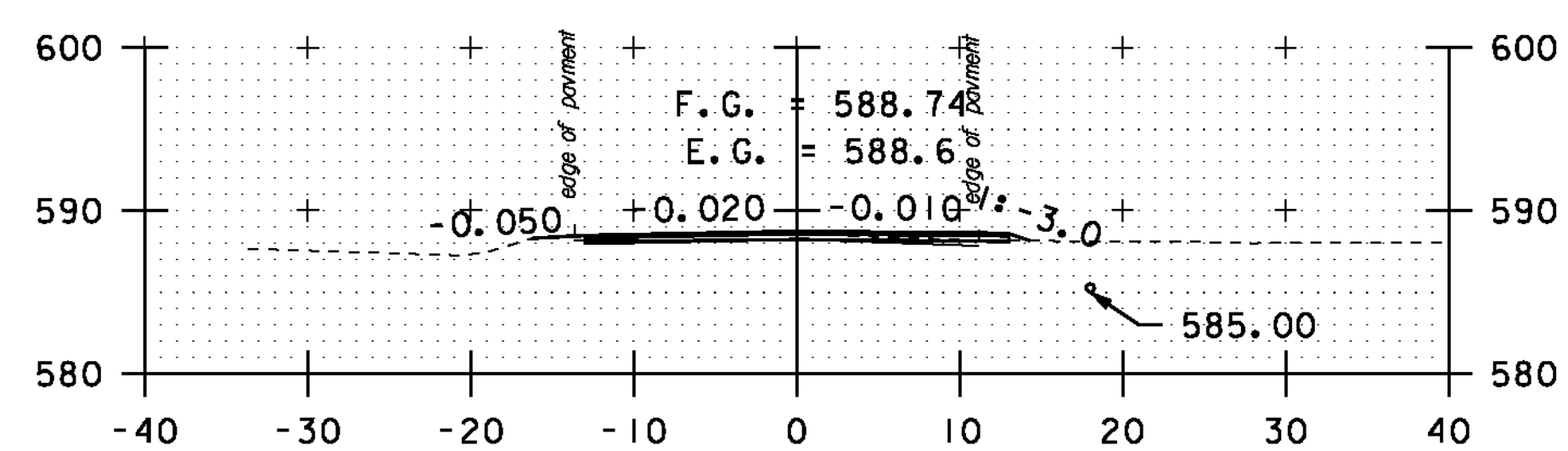


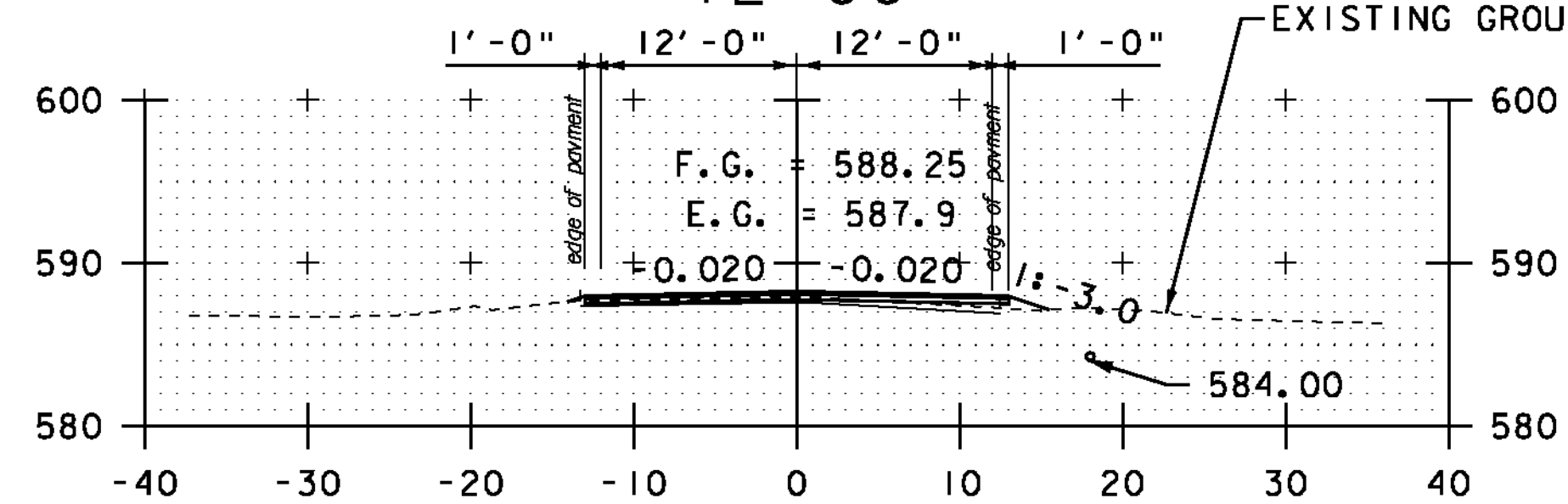
13+00



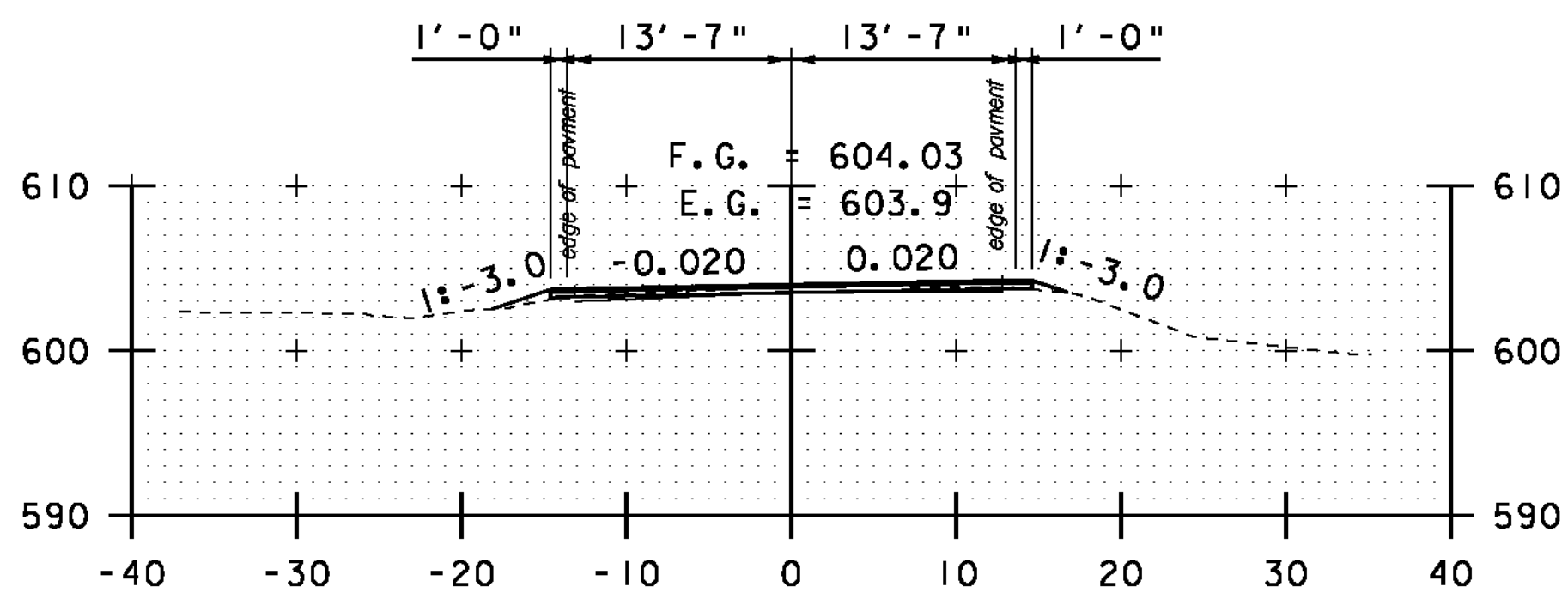
12+50



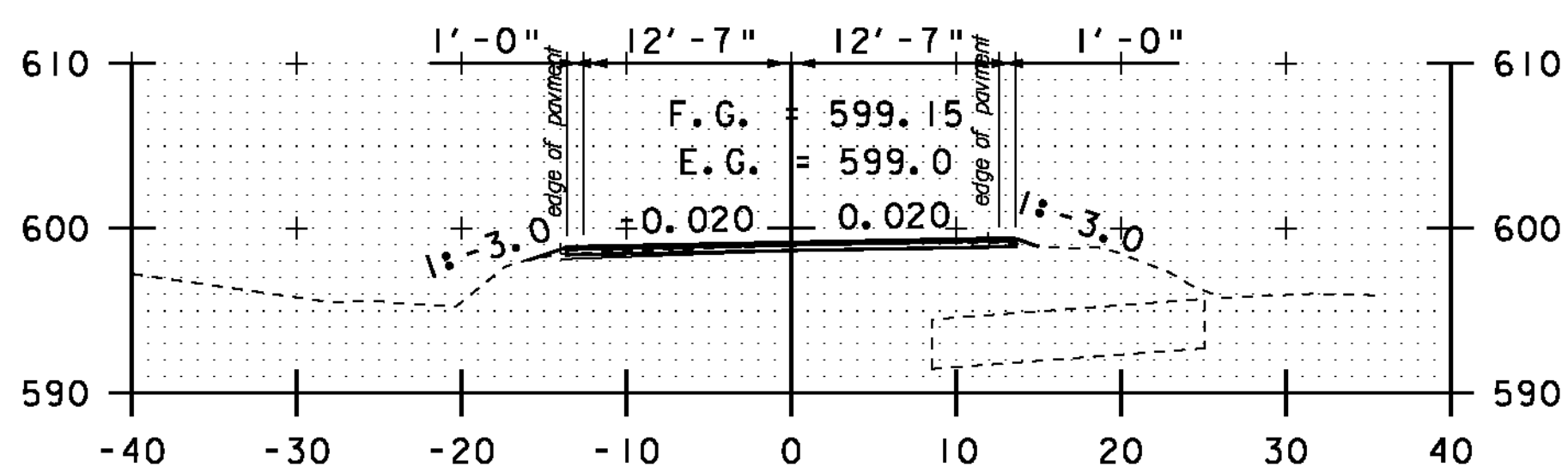
DRIVE RT
12+00



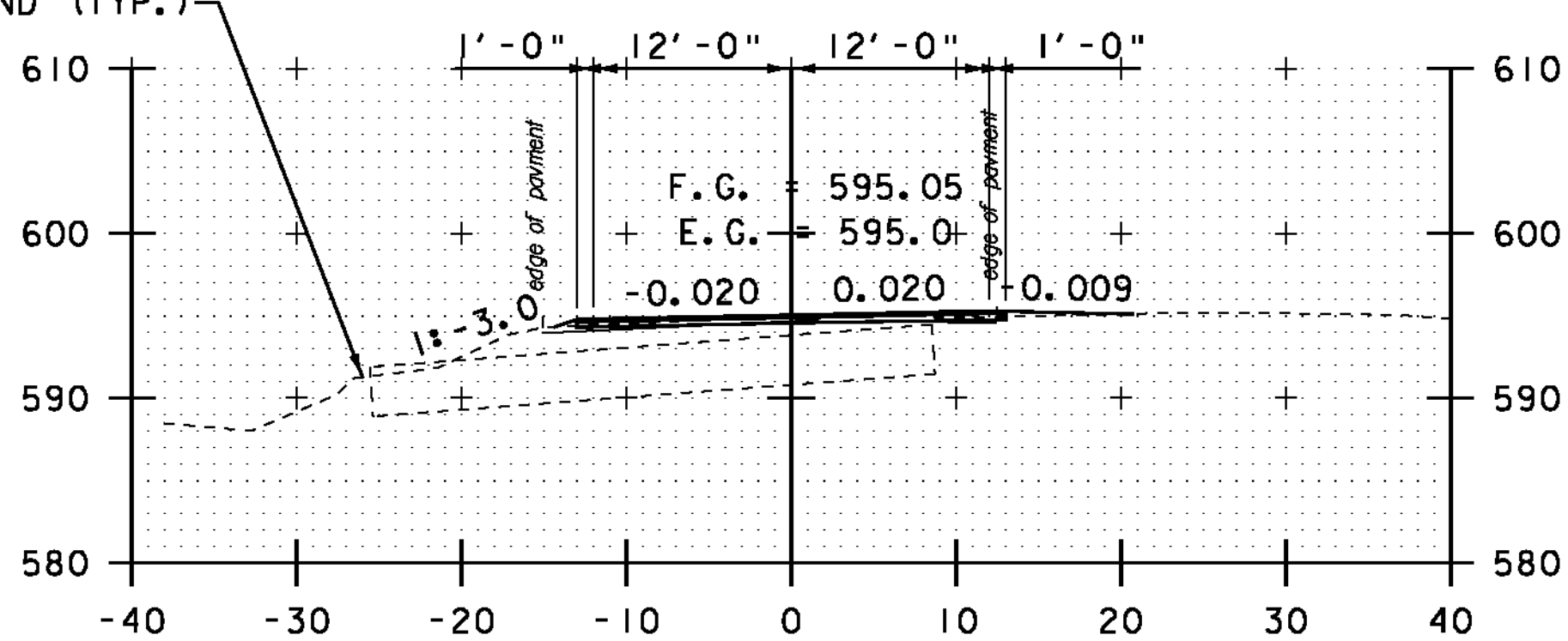
11+50



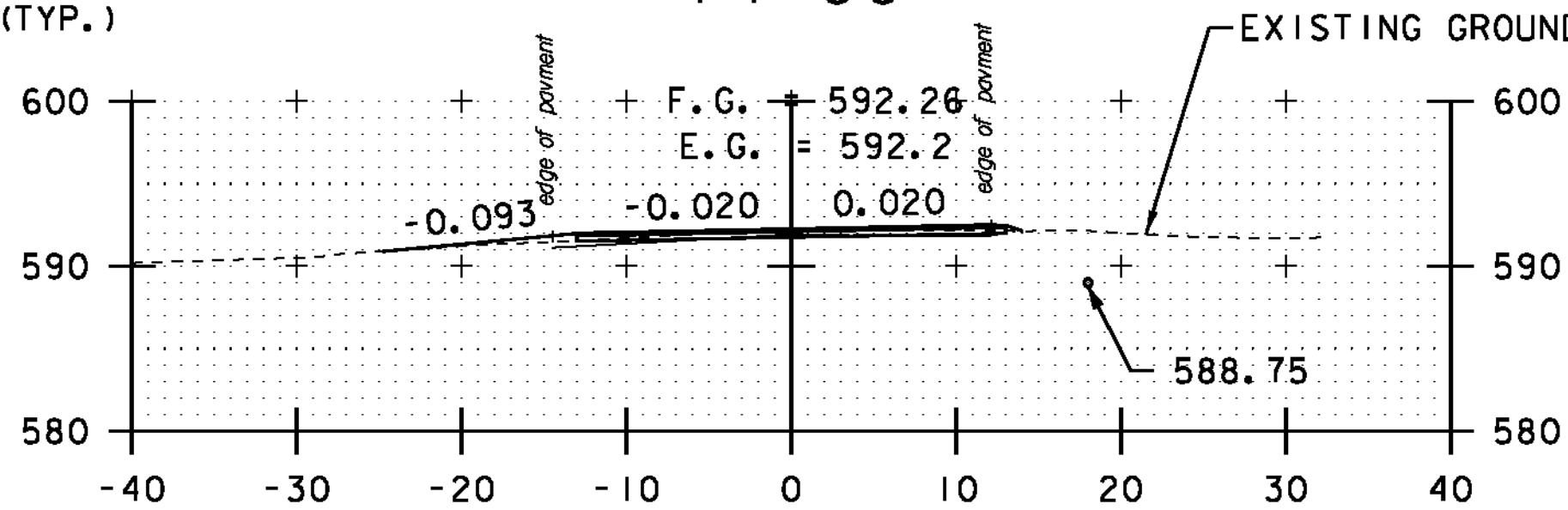
15+00



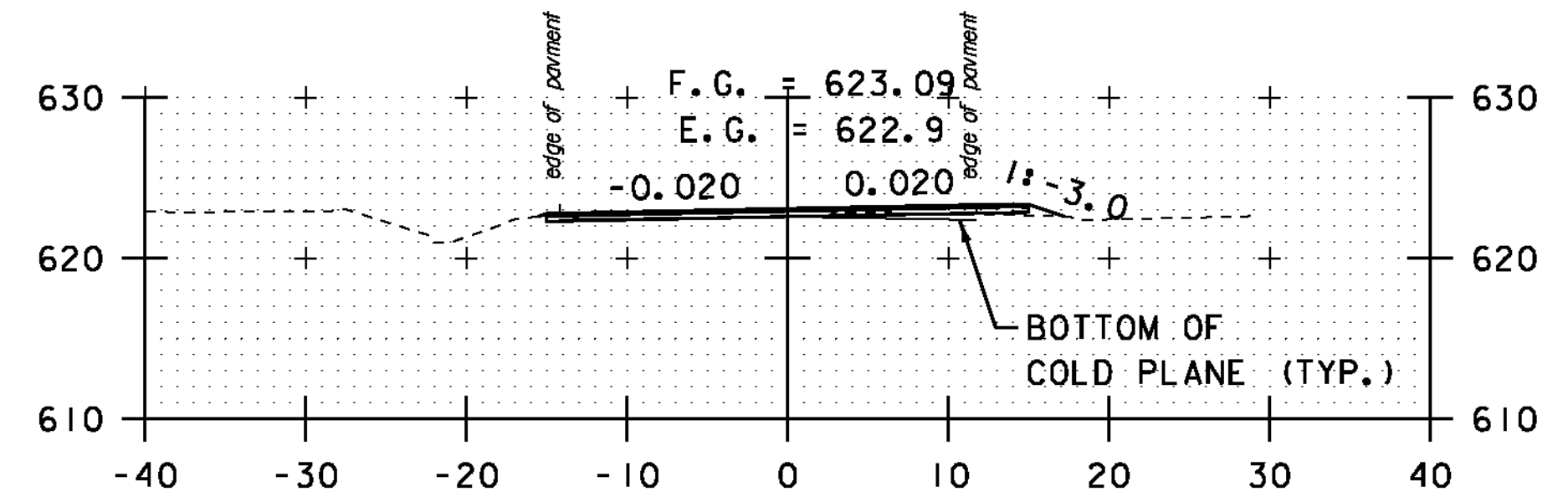
14+50



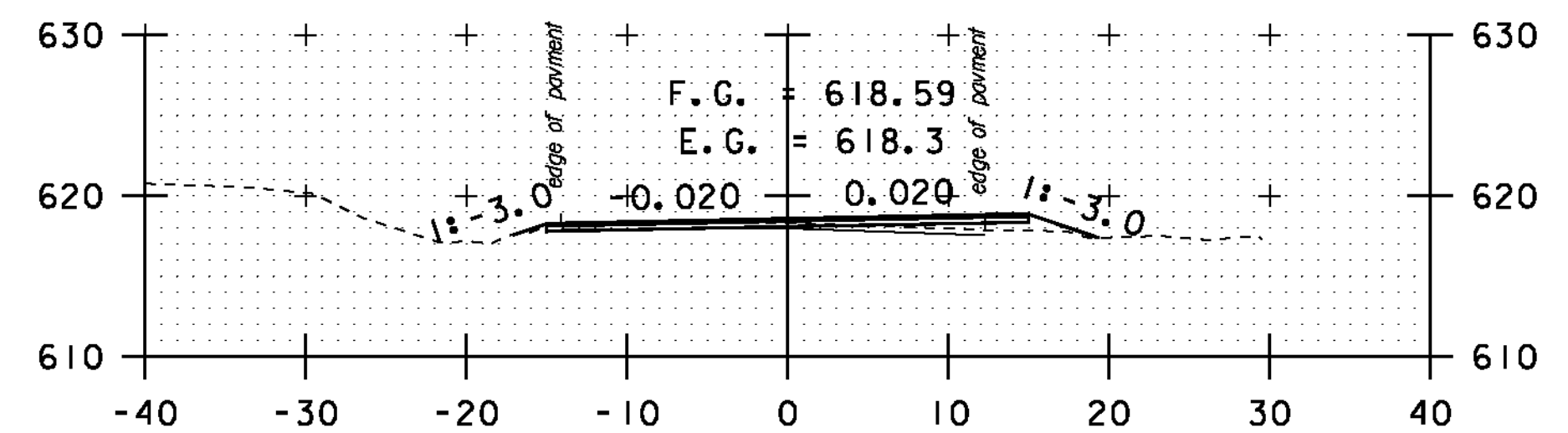
DRIVE RT
14+00



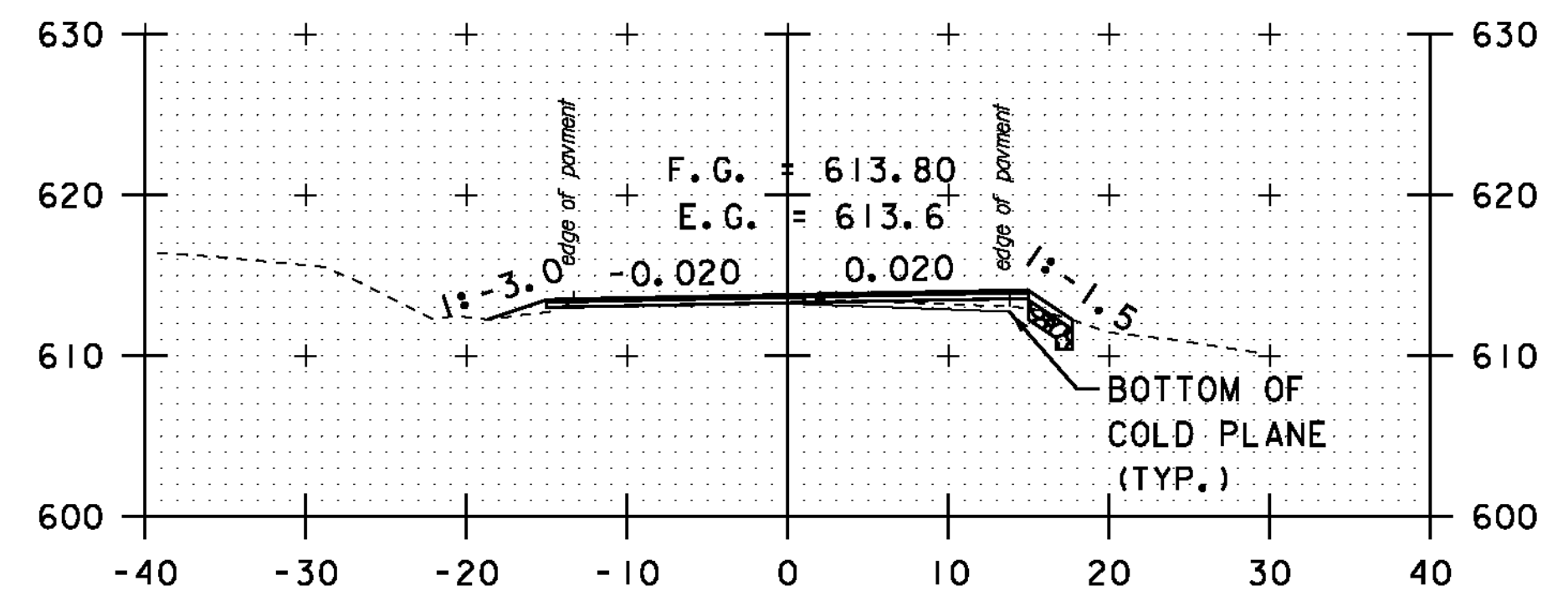
DRIVE LT
13+50



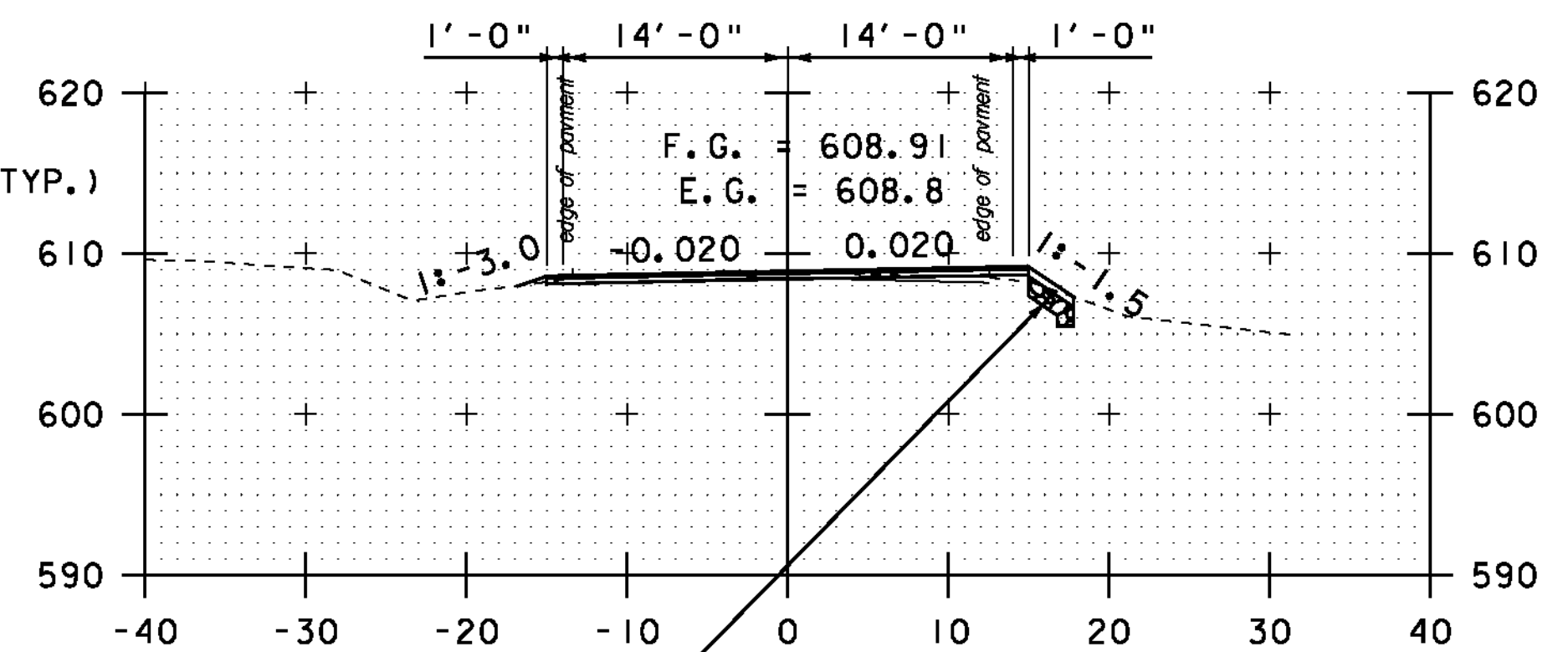
17+00



16+50



16+00



12" STONE FILL, TYPE I (TYP.)
6" GRUBBING MATERIAL (TYP.)
GEOTEXTILE UNDER STONE FILL (TYP.)

STA. 11+50 TO STA. 17+00



**CROSS
SECTION
SHEET 3**

PROJECT NAME: MONTGOMERY-WESTFIELD
PROJECT NUMBER: STP 2906(I)
FILE NAME: p10ci90.dgn
PROJECT LEADER: CDL
DESIGNED BY: SJL
PLOT FILE: p10ci90.i17.1
PLOT DATE: 9/5/12
DRAWN BY: SJL
CHECKED BY: CDL
SHEET 117 OF 178