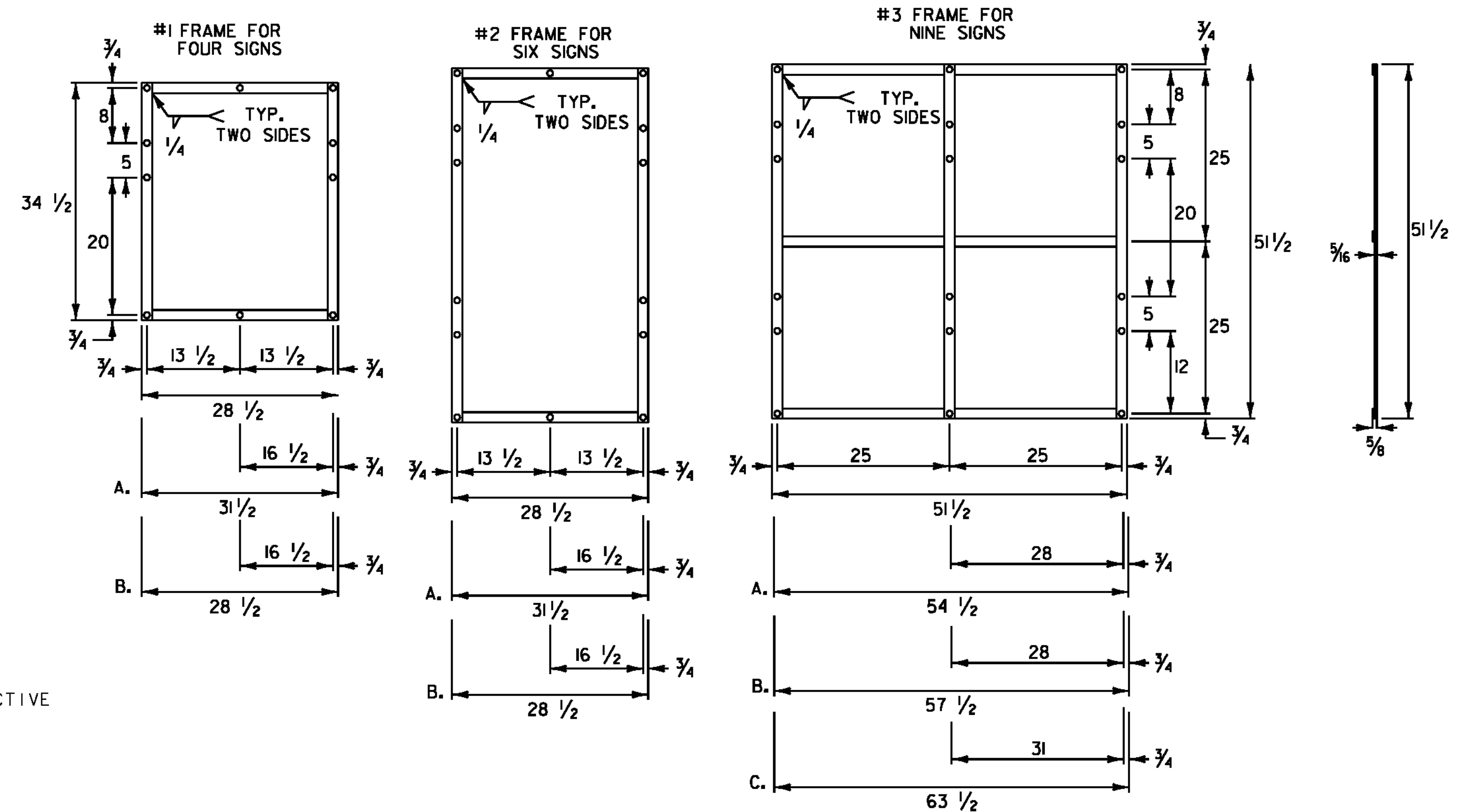


Panel Style: GUIDE\_CON\_NOFILL.ssi  
M.U.T.C.D.: 2009 Edition

1.) ALL VILLAGE SIGNS SHOWN ON THIS SHEET SHALL HAVE WHITE RETROREFLECTIVE ASTM TYPE III OR IV TEXT, ARROWS AND BORDERS ON A GREEN RETROREFLECTIVE ASTM TYPE III OR IV BACKGROUND. RETROREFLECTIVE SHEETING SHALL MEET THE REQUIREMENTS OF AASHTO M 268 (ASTM D4956).

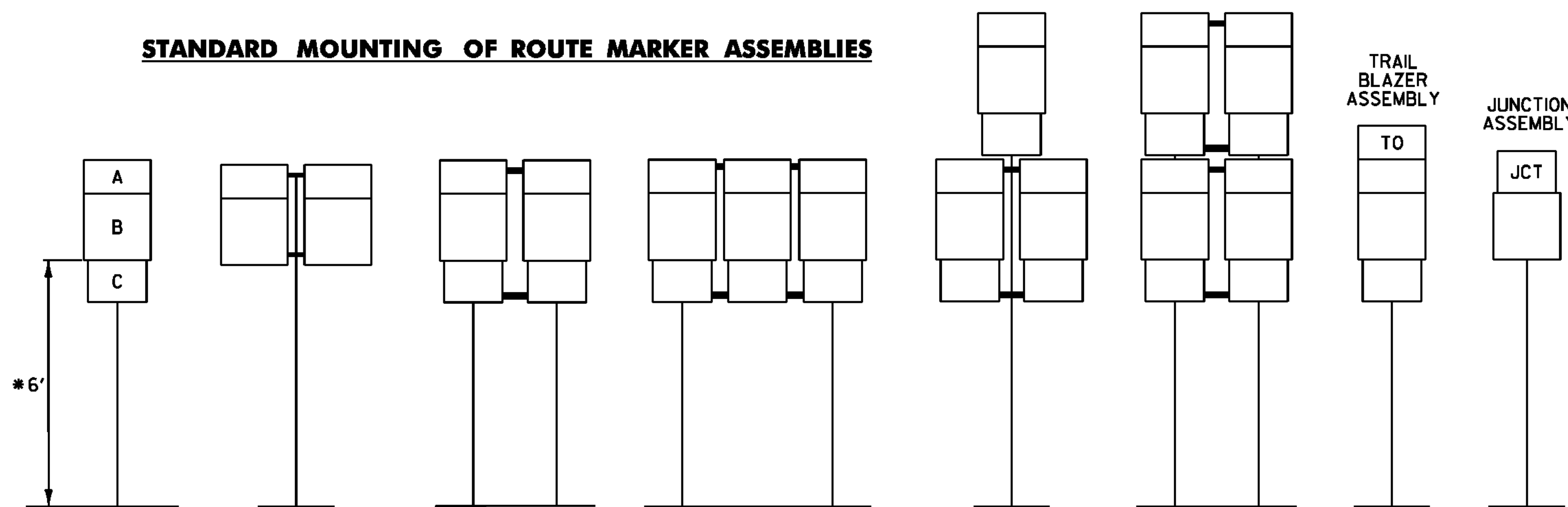
### ROUTE MARKER ASSEMBLY FRAMES



#### NOTES:

- NOTES FOR #1 AND #2 FRAME:
  - WITH ONE 30 INCH THREE DIGIT SIGN
  - WITH TWO 30 INCH THREE DIGIT SIGNS
- NOTES FOR #3 FRAME:
  - WITH ONE 30 INCH THREE DIGIT SIGN IN AN OUTSIDE POSITION.
  - WITH ONE 30 INCH THREE DIGIT SIGN IN THE CENTER POSITION OR TWO SUCH SIGNS IN THE OUTSIDE POSITIONS.
  - WITH THREE 30 INCH THREE DIGIT SIGNS.
- ALL HOLES SHALL BE 7/16 INCH DIAMETER. FOR OTHER SIGN COMBINATIONS, THAN ABOVE, THE FRAME DIMENSIONS AND HOLE SPACING SHALL BE MODIFIED AS NECESSARY. THE FRAME SHALL BE PAINTED WITH ONE COAT OF PRIMER AND A SECOND COAT OF BLACK PAINT. THE PAINT SHALL BE OF THE TYPE USED ON EXTERIOR METAL SURFACES TO PREVENT METAL CORROSION.
- STANDARD FRAMES SHALL BE 5/16 INCH x 1/2 INCH WELDED ASTM A-36 STEEL.
- ALL DIMENSIONS SHOWN IN INCHES EXCEPT WHERE NOTED.
- ALL OVERLAPPED CONNECTIONS SHALL BE WELED WITH TWO, 1/4 INCH WIDE FILLET WELDS, 1/2 INCH LONG.

### STANDARD MOUNTING OF ROUTE MARKER ASSEMBLIES



A - CARDINAL DIRECTION MARKER  
B - ROUTE NUMBER  
C - ADVANCE TURN ARROW OR DIRECTIONAL ARROW

\* WHERE PARKING OR PEDESTRIAN TRAFFIC WILL OCCUR IN THE IMMEDIATE VICINITY OF THESE SIGNS MINIMUM VERTICAL CLEARANCE SHALL BE INCREASED TO SEVEN FEET

#### INSTALLATION SEQUENCE:

IN MULTIPLE HORIZONTAL MOUNTINGS PLACE A ROUTE MARKER ASSEMBLY INDICATING A LEFT TURN ON THE LEFT SIDE OF THE ASSEMBLY; RIGHT TURN ON THE RIGHT SIDE. FOR VERTICALLY STACKED MOUNTINGS PLACE THE STRAIGHT THROUGH MOVE INDICATION ON TOP, THE LEFT OR RIGHT TURNS AS APPROPRIATE BENEATH.

#### NOTES:

- ALL DIMENSIONS SHOWN IN INCHES EXCEPT WHERE NOTED.
- VERTICAL FRAME MEMBERS SHALL LINE UP WITH SIGN POST ON WHICH THEY ARE MOUNTED.

### SIGN DETAIL SHEET 2

DETAILS ARE NOT TO SCALE

PROJECT NAME: MONTGOMERY-WESTFIELD

PROJECT NUMBER: STP 2906 (1)

FILE NAME: pi0ci90.dgn

PROJECT LEADER: CDL

DESIGNED BY: SJL

PLOT FILE: pi0ci90\_98B.1

PLOT DATE: 9/5/12

DRAWN BY: SJL

CHECKED BY: CDL

SHEET 98B OF 178