

DURABLE 4 INCH WHITE LINE (SEE OPTION ITEMS)
 STA. A 119+25 - STA. A 124+75 (SOLID LT & RT)

TEMPORARY 4 INCH WHITE LINE, PAINT
 STA. A 119+25 - STA. A 124+75 (SOLID LT & RT)

6 INCH UNDERDRAIN PIPE
 STA. A 122+00 - STA. A 124+75 LT
 03

DURABLE 4 INCH YELLOW LINE (SEE OPTION ITEMS)
 STA. A 119+25 - STA. A 124+75 (SOLID LT & RT)

TEMPORARY 4 INCH YELLOW LINE, PAINT
 STA. A 119+25 - STA. A 124+75 (SOLID LT & RT)

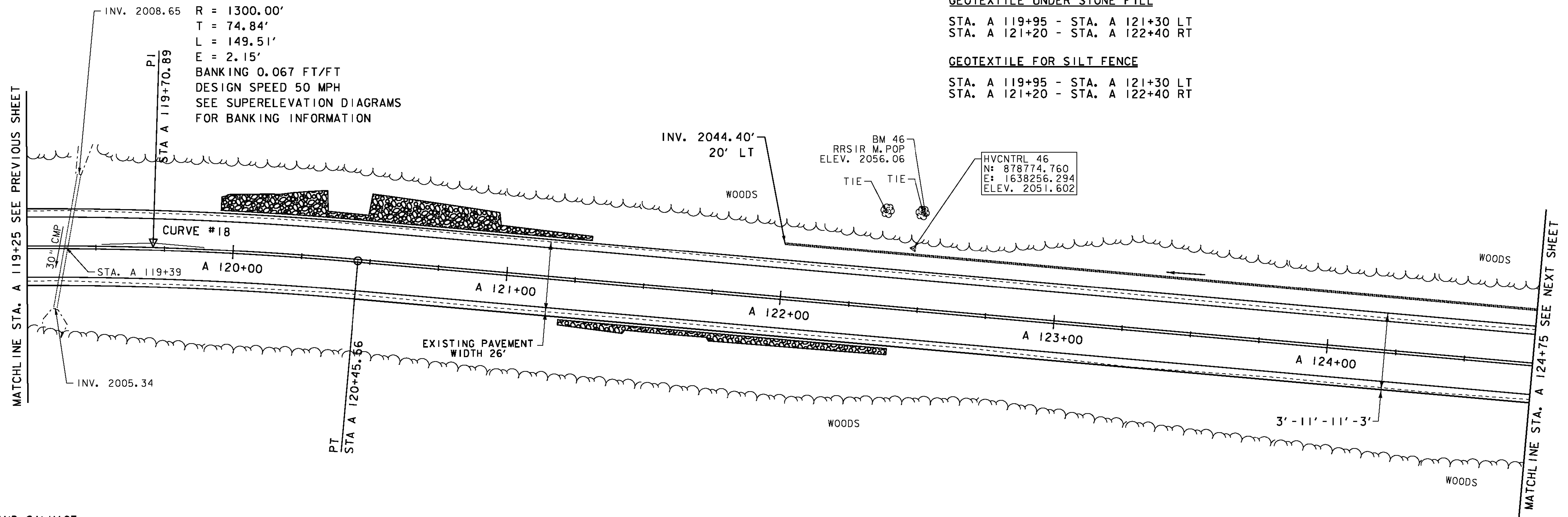
STONE FILL, TYPE I
 STA. A 119+95 - STA. A 121+30 LT
 STA. A 121+20 - STA. A 122+40 RT

GRUBBING MATERIAL
 STA. A 119+95 - STA. A 121+30 LT
 STA. A 121+20 - STA. A 122+40 RT

GEOTEXTILE UNDER STONE FILL
 STA. A 119+95 - STA. A 121+30 LT
 STA. A 121+20 - STA. A 122+40 RT

GEOTEXTILE FOR SILT FENCE
 STA. A 119+95 - STA. A 121+30 LT
 STA. A 121+20 - STA. A 122+40 RT

CURVE #18
 DELTA = 6°35'22"
 D = 4°24'27"
 R = 1300.00'
 T = 74.84'
 L = 149.51'
 E = 2.15'
 BANKING 0.067 FT/FT
 DESIGN SPEED 50 MPH
 SEE SUPERELEVATION DIAGRAMS
 FOR BANKING INFORMATION



SIGN LEGEND

- R = REMOVE
- R&S = REMOVE AND SALVAGE
- RET = RETAIN
- S = SALVAGED
- N = NEW
- B-B = BACK TO BACK
- = EXISTING
- = NEW

- LEGEND**
- MAILBOX
 - BORING
 - SIGN
 - HYDRANT
 - MANHOLE
 - WATER SHUT OFF (WSO)
 - GAS PIPELINE MARKER
 - CATCH BASIN / DROP INLET
 - CURB INLET
 - TRAFFIC CONTROL BOX
 - PARKING METER
 - UTILITY POLE

DATUM
 NAVD 88
 NAD 83

SCALE IN FEET
 20 0 20

PROJECT LAYOUT SHEET 58

PROJECT NAME: MONTGOMERY-WESTFIELD
 PROJECT NUMBER: STP 2906(I)
 FILE NAME: piOC190.dgn
 PROJECT LEADER: CDL
 DESIGNED BY: SJL
 PLOT FILE: piOC190_79.I
 PLOT DATE: 9/5/12
 DRAWN BY: SJL
 CHECKED BY: EPD
 SHEET 79 OF 178

SEH
 2-24-14