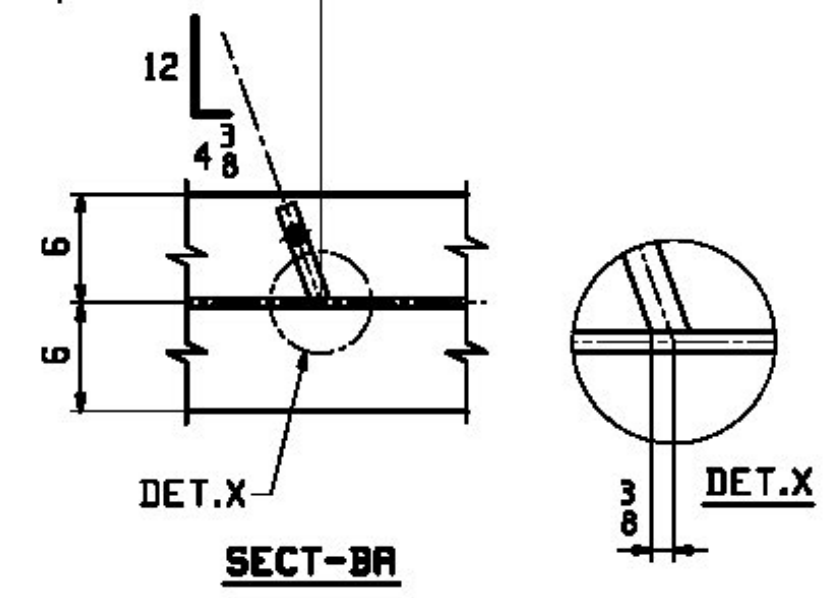


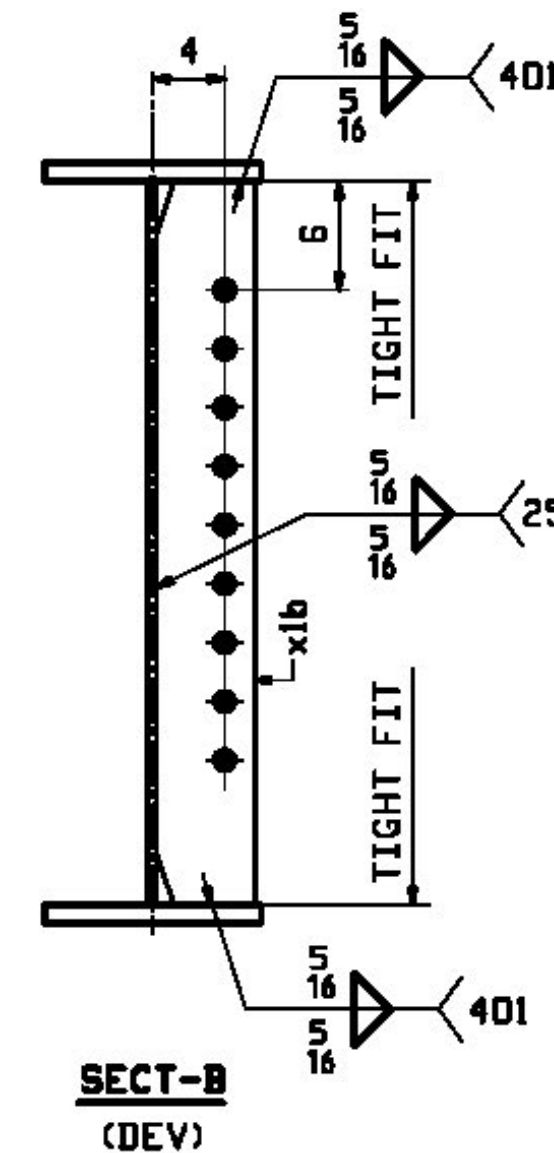
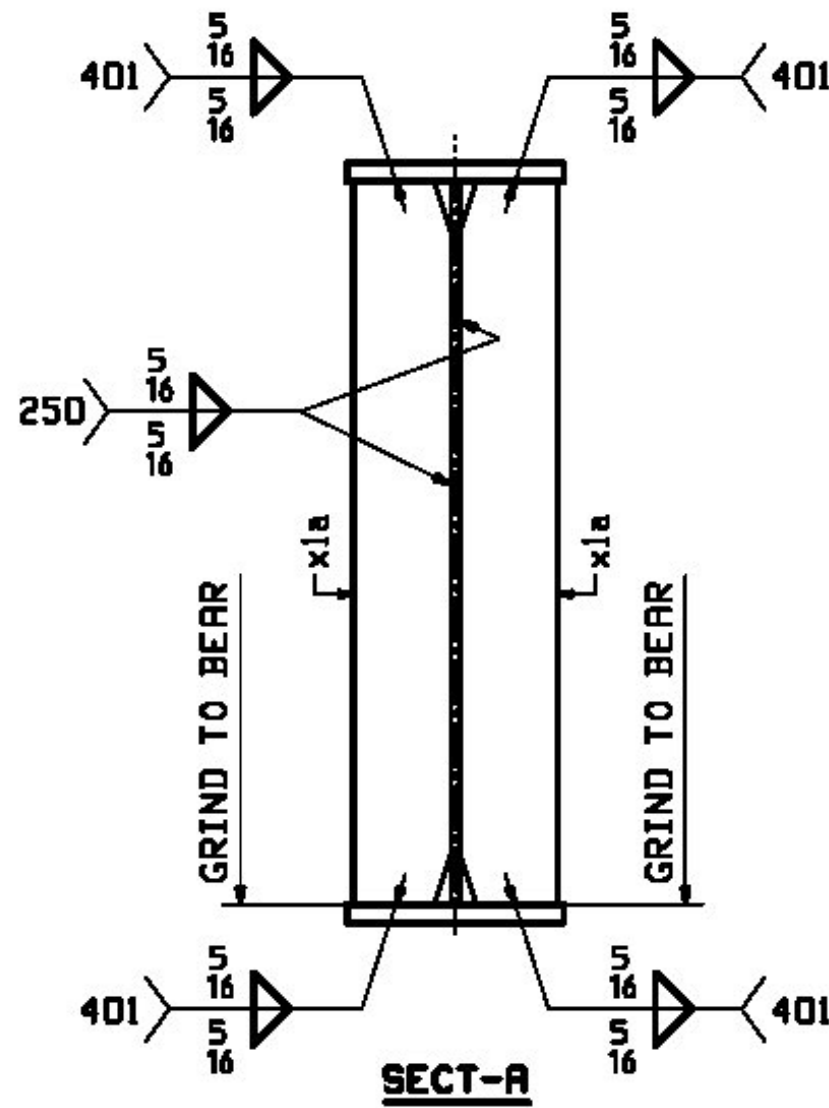
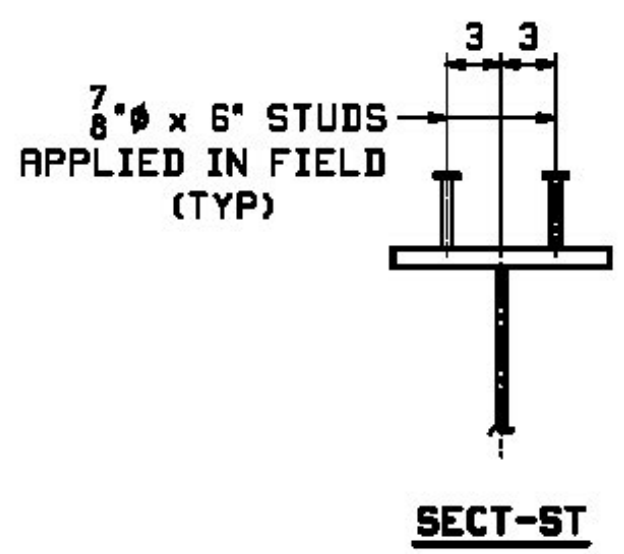
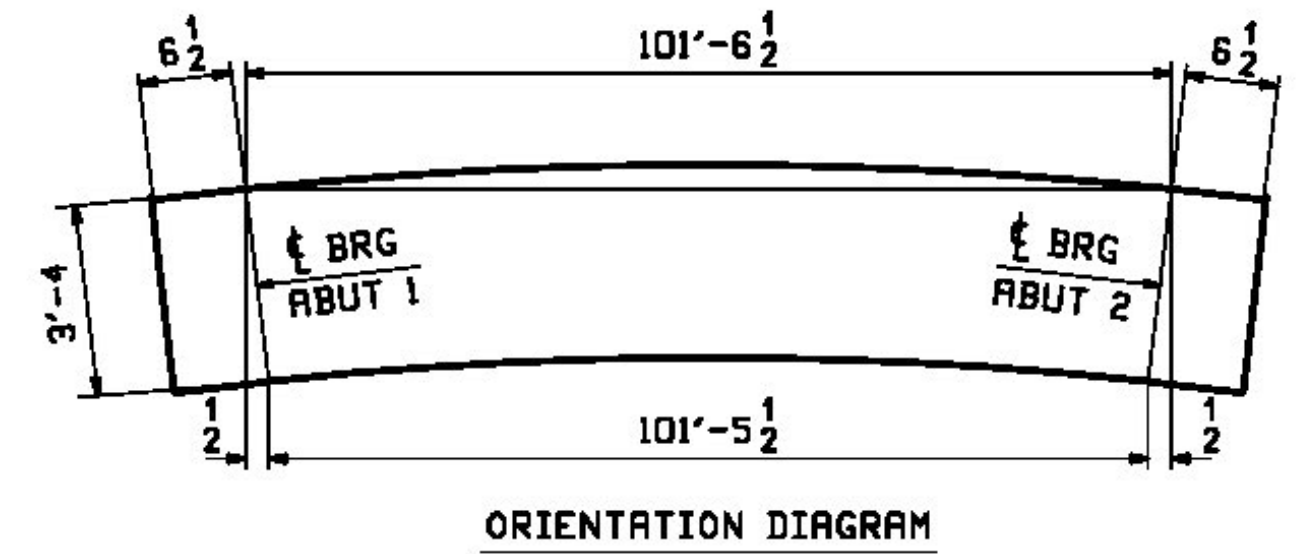
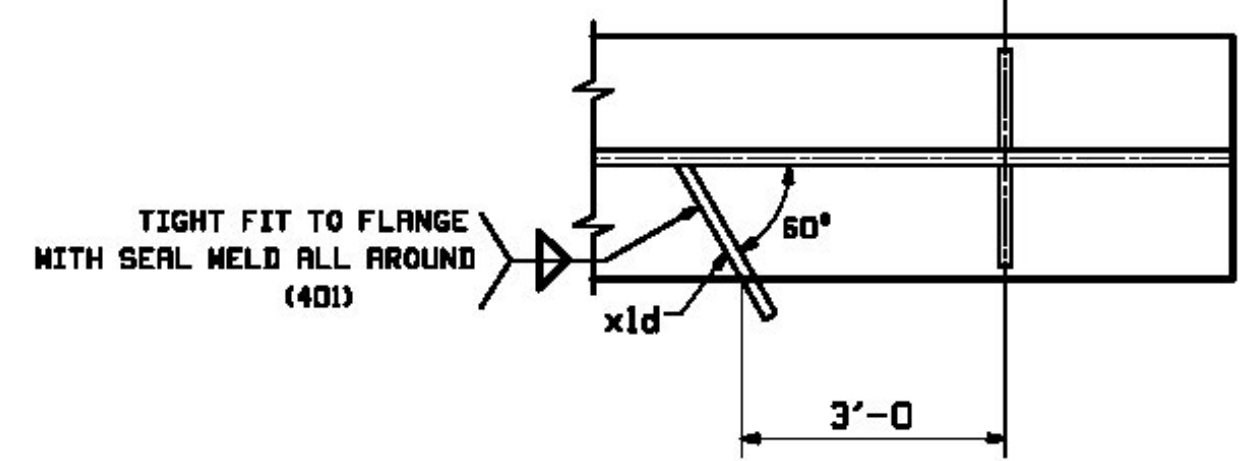
BILL OF MATERIAL					JOB NO.	DRAWING NO.	REV.		
					548	6			
PAGE	LINE	MARK	QTY	MARK	MATERIAL	LENGTH FT INCHES	REMARKS	WT	PROCUREMENT NOTES
		6GB	1		GIRDER			15913	
1	G		1	wa	PL 1/2x40	40 0 1/16	M270-SOWT2	2723	
1	E		1	wb	PL 1/2x40	62 7 1/2	M270-SOWT2	4262	
1	J		1	ta	PL 1x12	62 7		2555	
1	L		1	tb	PL 1x12	40 0 1/2		1635	
1	A		1	ba	PL 1x12	62 7	M270-SOWT2	2555	
1	C		1	bb	PL 1x12	39 11 1/2	M270-SOWT2	1632	
2	C		4	x1a	PL 5/8x5 1/2	3 4	MIE	39	
2	D		5	x1b	PL 1/2x5 1/2	3 4		31	
2	E		1	x1d	PL 1/4x3	0 8 1/2		2	
3	M		206		STUD 7/8"	0 6	RRGB	1	

DO NOT SHIP FROM THIS SHEET



ONE ~ GIRDER ~ 6GB

NOTES:
 1. FOR GENERAL NOTES SEE SHEET GNI.
 2. FOR STANDARD DETAILS SEE SHEET XI.
 3. FOR CAMBER & FLANGE DIAGRAM SEE SHEET CI.
 4. T2 - DENOTES MATERIAL SUBJECT TO CHARPY V-NOTCH TESTING.



Vermont Agency of Transportation
RECEIVED
 ON: January 29, 2014
 and Checked for
CONFORMANCE
 BY: Rob Young DATE: 02/18/2014

<input checked="" type="checkbox"/> Reviewed	<input type="checkbox"/> Furnish As Corrected
<input type="checkbox"/> Rejected	<input type="checkbox"/> Revise and Resubmit

This review is only for general conformance with the design concept and the information given in the Construction Documents. Corrections or comments made on the shop drawings during the review do not relieve the Contractor from compliance with the requirements of the Plans and Specifications. Review of a specific item shall not include review of an assembly of which an item is a component. The Contractor is responsible for dimensions to be confirmed and corrected at the job site; information that pertains solely to the fabrication process or to the means, methods, techniques, sequences and procedures of construction; coordination of the Work with that of other trades and performing all Work in a safe and satisfactory manner.

Date: February 12, 2014
 By: D. Kull

McFarland Johnson

REV.	DATE	REMARKS	DMN	CHK	APVL	SHOP
0						

MATERIAL:	SURFACE PREP. & PAINT:	HOLES:	SHOP BOLTS:
M270-SOW (UN)	SEE GNI	15/16" UN	NONE

DESCRIPTION: GIRDER ~ 6GB

CASCO BAY STEEL STRUCTURES, INC.
 1 WALLACE AVE. PHONE (207) 780-6722
 SOUTH PORTLAND, ME 04106 FAX. (207) 780-6726

STRUCTURE:	VT ROUTE 100 (MINOR ARTERIAL)	DRAWN:	DATE:
	OVER MAD RIVER	CRK	01/23
	BRIDGE NO. 166	CHKD:	DATE:
	WARREN	DO	01/27
	COUNTY OF WASHINGTON		

LOCATION:	TOWN OF WARREN	JOB NO.	DWG NO.
PROJ NO.	BRF 013-4(32)	548	6
CUSTOMER:	VT AOT		REV. <input type="checkbox"/>

Date: Jan 29, 2014 10:00 AM
 User: jmc
 Path: C:\Users\jmc\AppData\Local\Microsoft\Windows\Temporary Internet Files\Content.IE5\...