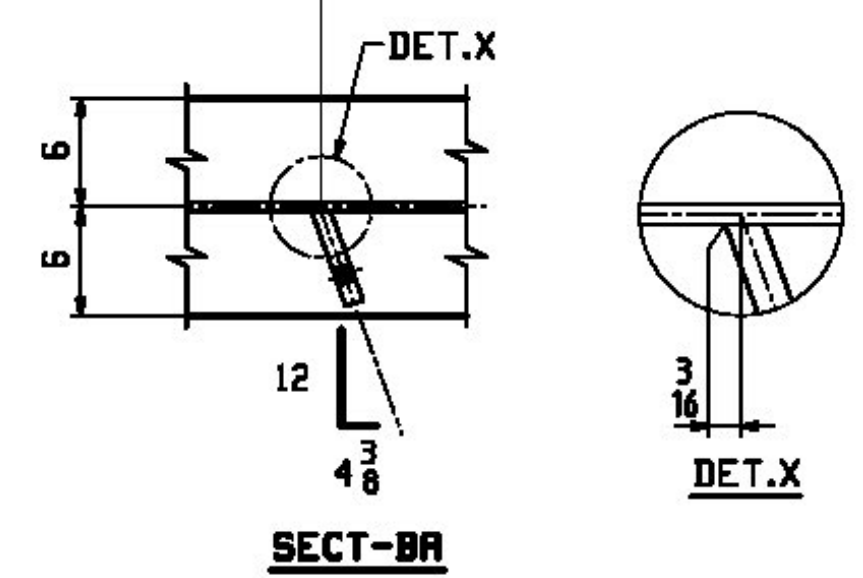
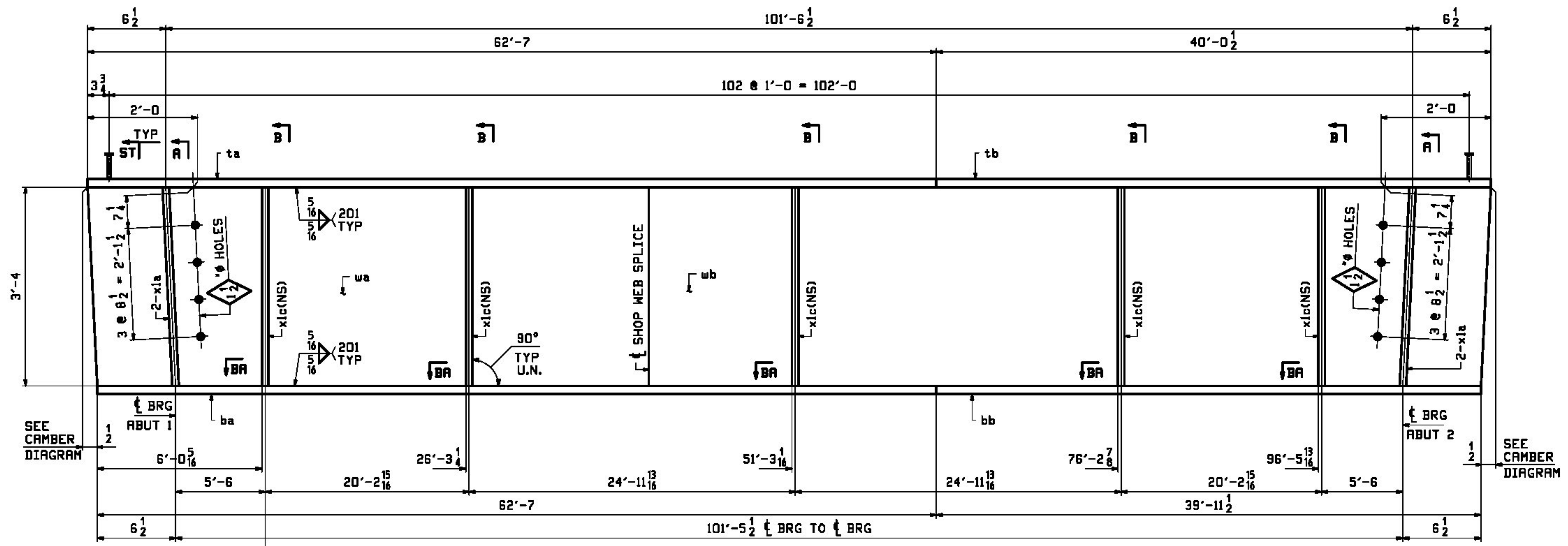


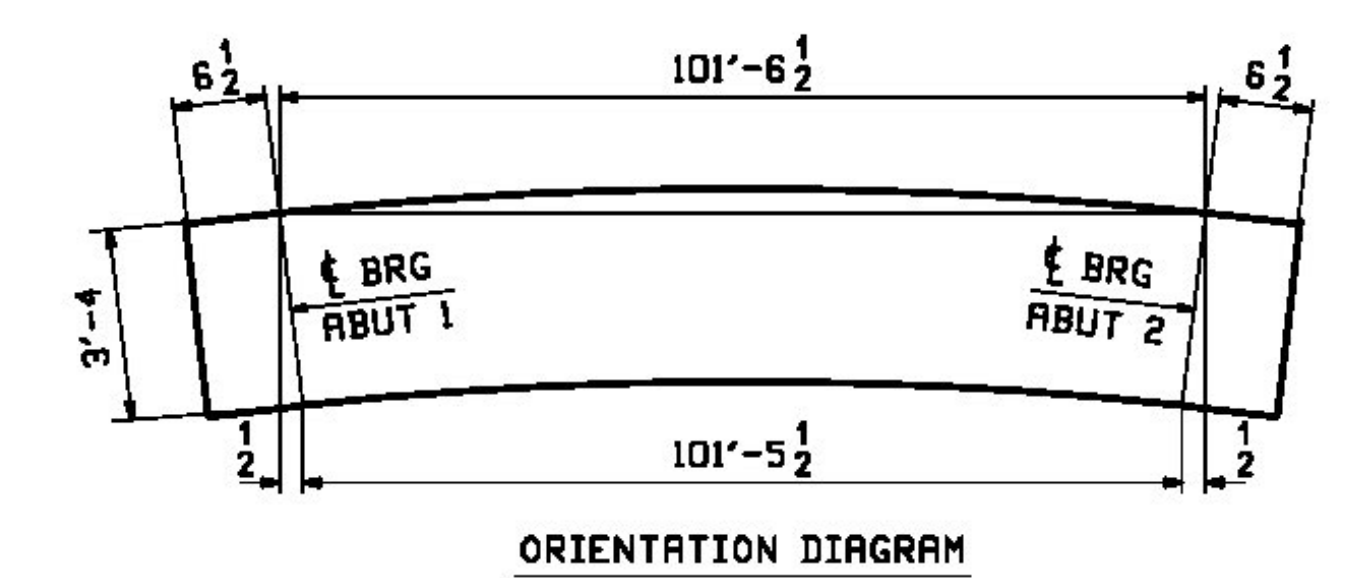
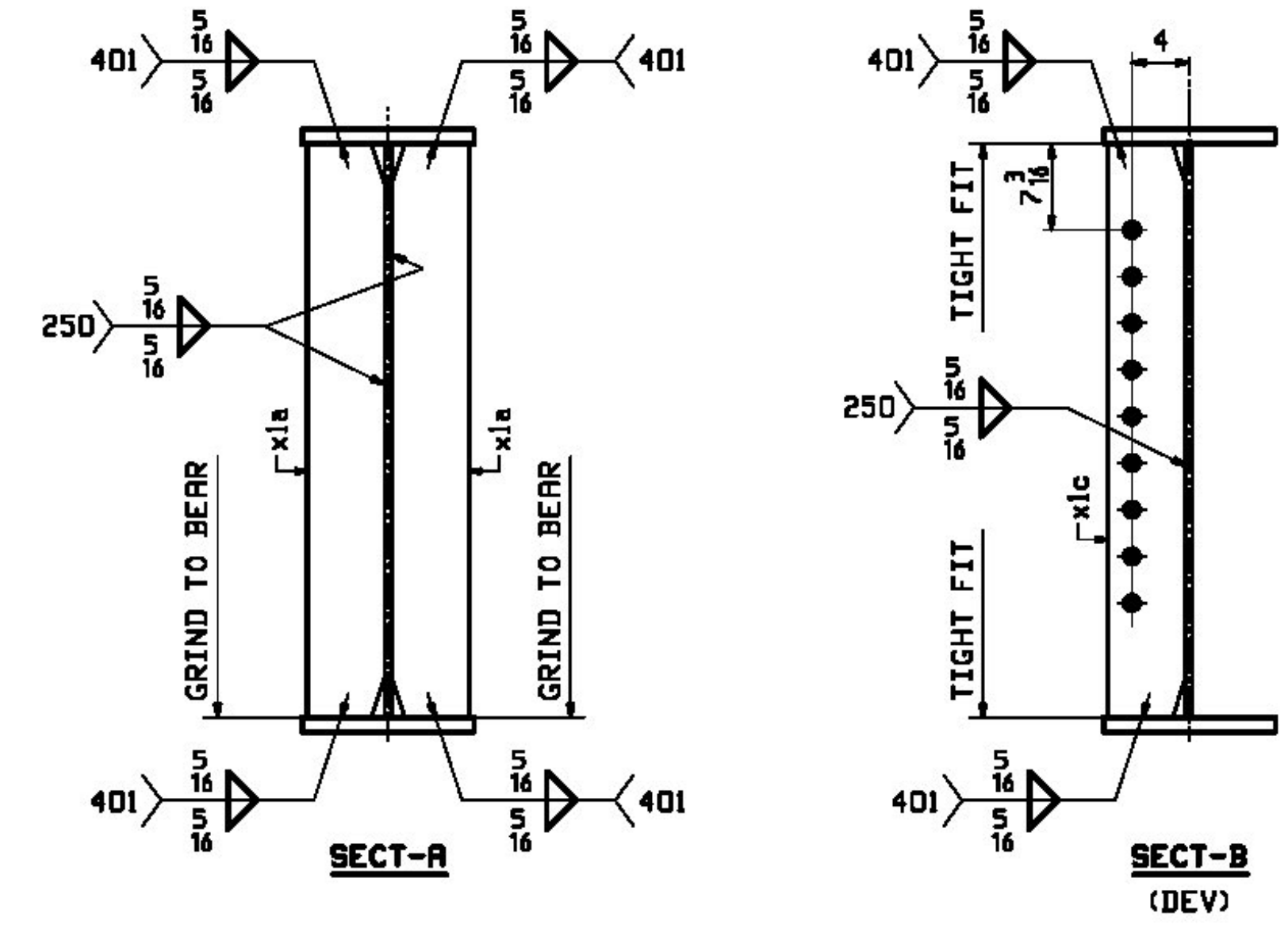
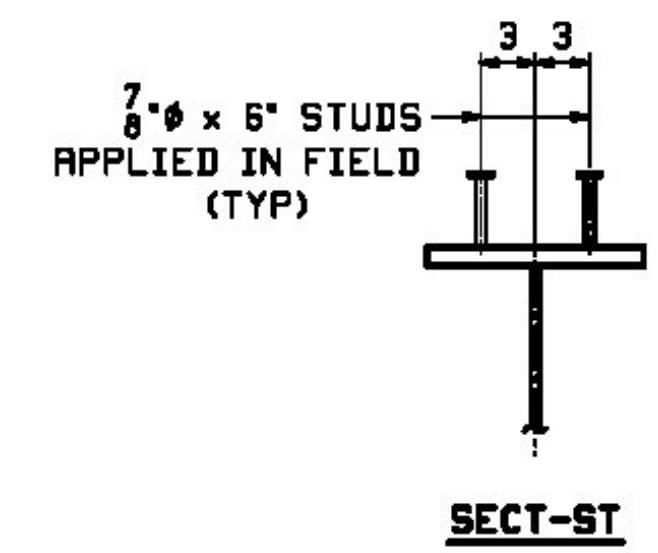
BILL OF MATERIAL						JOB NO.	DRAWING NO.	REV.	
						548	4		
PAGE	LINE	MARK	QTY	MARK	MATERIAL	LENGTH FT INCHES	REMARKS	WT	PROCUREMENT NOTES
		4G5	1		GIRDER			1591.2	
		4G7	1		GIRDER			1591.2	
1	G	2	wa	PL	1/2x40	40 0 1/16	M270-SOWT2	2723	
1	E	2	wb	PL	1/2x40	62 7 1/2	M270-SOWT2	4262	
1	J	2	ta	PL	1x12	62 7		2555	
1	L	2	tb	PL	1x12	40 0 1/2		1635	
1	A	2	ba	PL	1x12	62 7	M270-SOWT2	2555	
1	C	2	bb	PL	1x12	39 11 1/2	M270-SOWT2	1632	
2	C	8	x1a	PL	5/8x5 1/2	3 4	MIE	39	
2	D	10	x1c	PL	1/2x5 1/2	3 4		31	
3	M	412		STUD	7/8	0 6	RUCB	1	

DO NOT SHIP FROM THIS SHEET



ONE ~ GIRDER ~ 4G5
ONE ~ GIRDER ~ 4G7

- NOTES:
1. FOR GENERAL NOTES SEE SHEET GNI.
2. FOR STANDARD DETAILS SEE SHEET XI.
3. FOR CAMBER & FLANGE DIAGRAM SEE SHEET CI.
4. T2 - DENOTES MATERIAL SUBJECT TO CHAPPY V-NOTCH TESTING.



Vermont Agency of Transportation
RECEIVED
ON: January 29, 2014
and Checked for
CONFORMANCE
BY: Rob Young DATE: 02/18/2014

X	Reviewed	Furnish As Corrected
	Rejected	Revise and Resubmit

This review is only for general conformance with the design concept and the information given in the Construction Documents. Corrections or comments made on the shop drawings during the review do not relieve the Contractor from compliance with the requirements of the Plans and Specifications. Review of a specific item shall not include review of an assembly of which an item is a component. The Contractor is responsible for dimensions to be confirmed and corrected at the job site; information that pertains solely to the fabrication process or to the means, methods, techniques, sequences and procedures of construction; coordination of the Work with that of other trades and performing all Work in a safe and satisfactory manner.

Date: February 12, 2014
By: D. Kull

Mcfarland Johnson

REV.	DATE	REMARKS	DMN	CHK	APVL	SHOP
0						
MATERIAL:		SURFACE PREP. & PAINT:	HOLES:		SHOP BOLTS:	
M270-SOW (UN)		SEE GNI	15/16" UN		NONE	
DESCRIPTION: GIRDERS ~ 4G5 & 4G7						
CASCO BAY STEEL STRUCTURES, INC. 1 WALLACE AVE. PHONE (207) 780-6722 SOUTH PORTLAND, ME 04106 FAX. (207) 780-6726						
STRUCTURE: VT ROUTE 100 (MINOR ARTERIAL) OVER MAD RIVER BRIDGE NO. 166 WARREN COUNTY OF WASHINGTON					DRWNN:	DATE:
					CRK	01/23
					CHKD:	DATE:
					DO	01/27
LOCATION: TOWN OF WARREN					JOB NO.	DWG NO.
PROJ NO. BRF 013-4(32)					548	4
CUSTOMER: VT AOT						REV.