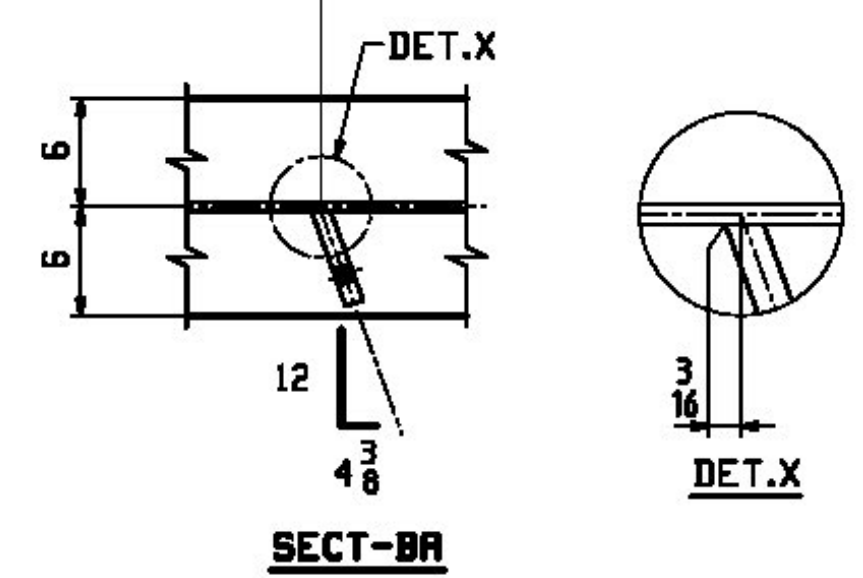
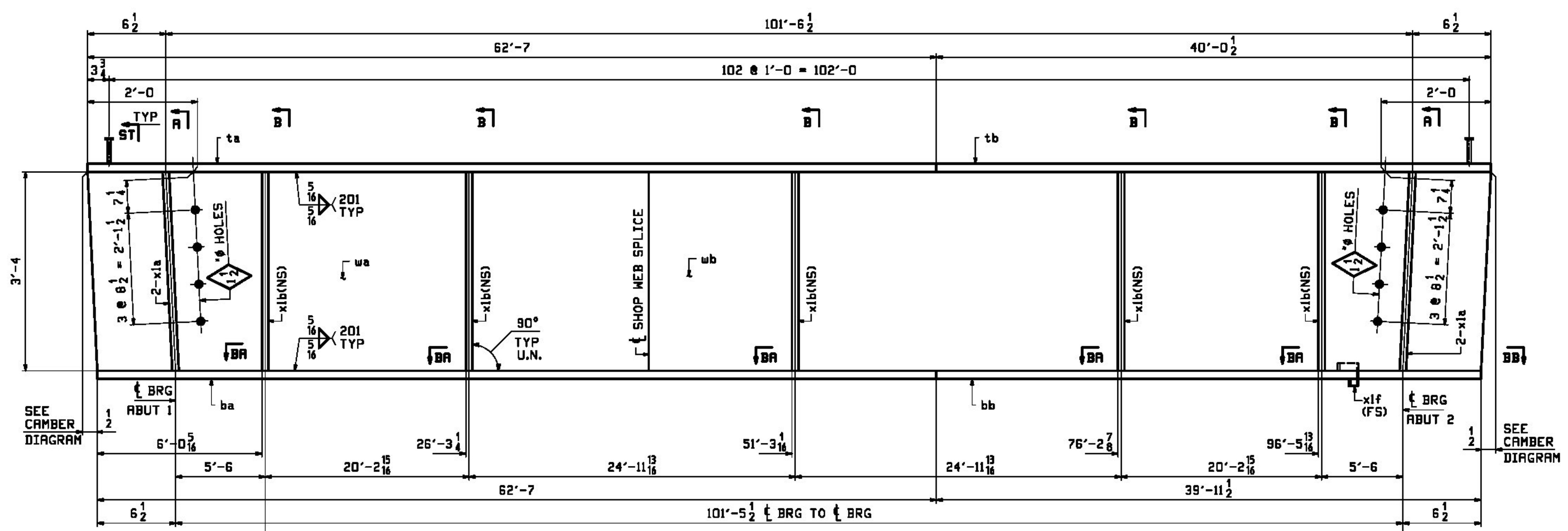


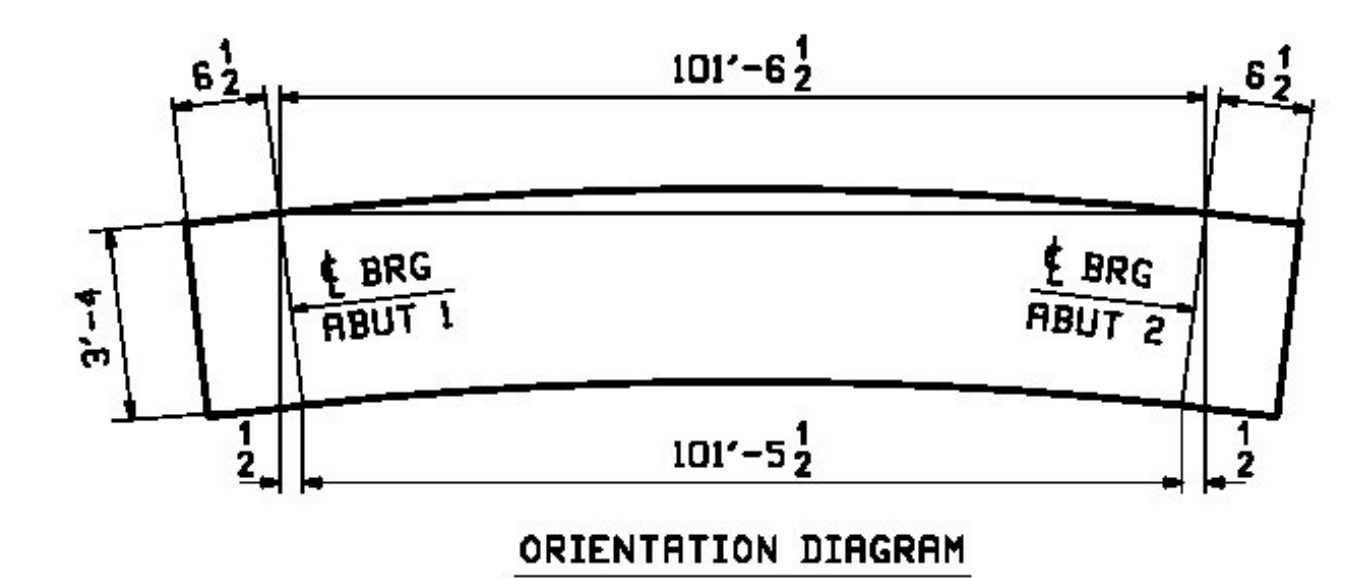
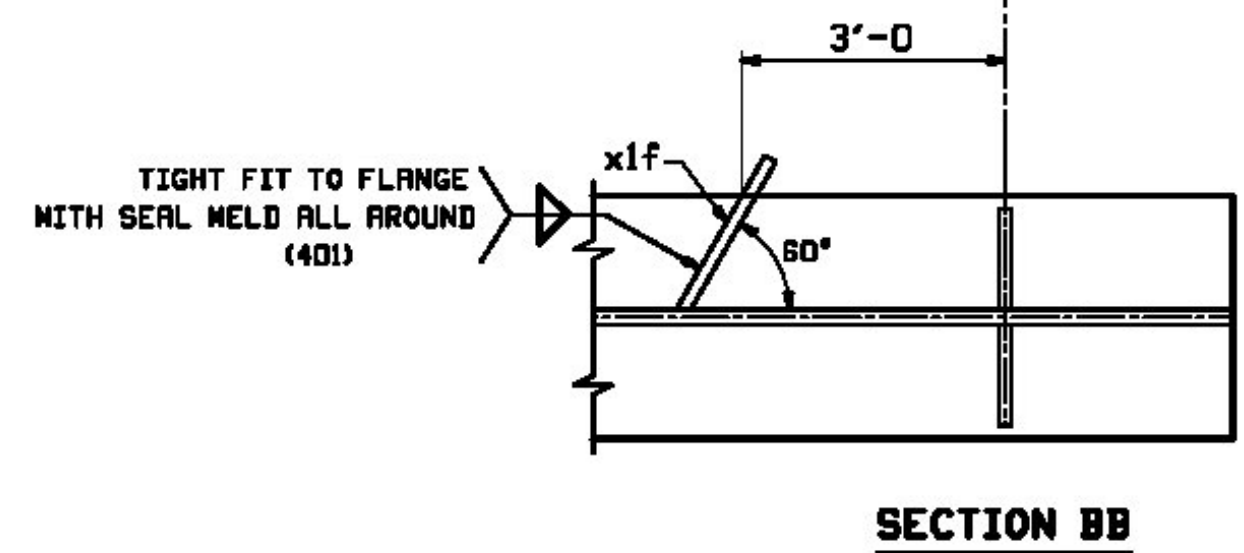
BILL OF MATERIAL					JOB NO.	DRAWING NO.	REV.		
					548	1			
PAGE	LINE	MARK	QTY	MARK	MATERIAL	LENGTH FT INCHES	REMARKS	WT	PROCUREMENT NOTES
		IG1	1		GIRDER			15913	
1	G		1	wa	PL 1/2x40	40 0 1/16	M270-SQWT2	2723	
1	E		1	wb	PL 1/2x40	62 7 1/2	M270-SQWT2	4262	
1	J		1	ta	PL 1x12	62 7		2555	
1	L		1	tb	PL 1x12	40 0 1/2		1635	
1	A		1	ba	PL 1x12	62 7	M270-SQWT2	2555	
1	C		1	bb	PL 1x12	39 11 1/2	M270-SQWT2	1632	
2	C		4	x1a	PL 5/8x5 1/2	3 4	MIE	39	
2	D		5	x1b	PL 1/2x5 1/2	3 4		31	
2	E		1	x1f	PL 1/4x3	0 8 1/2		2	
3	M		206		STUD 3/8	0 6	RUCB	1	

DO NOT SHIP FROM THIS SHEET

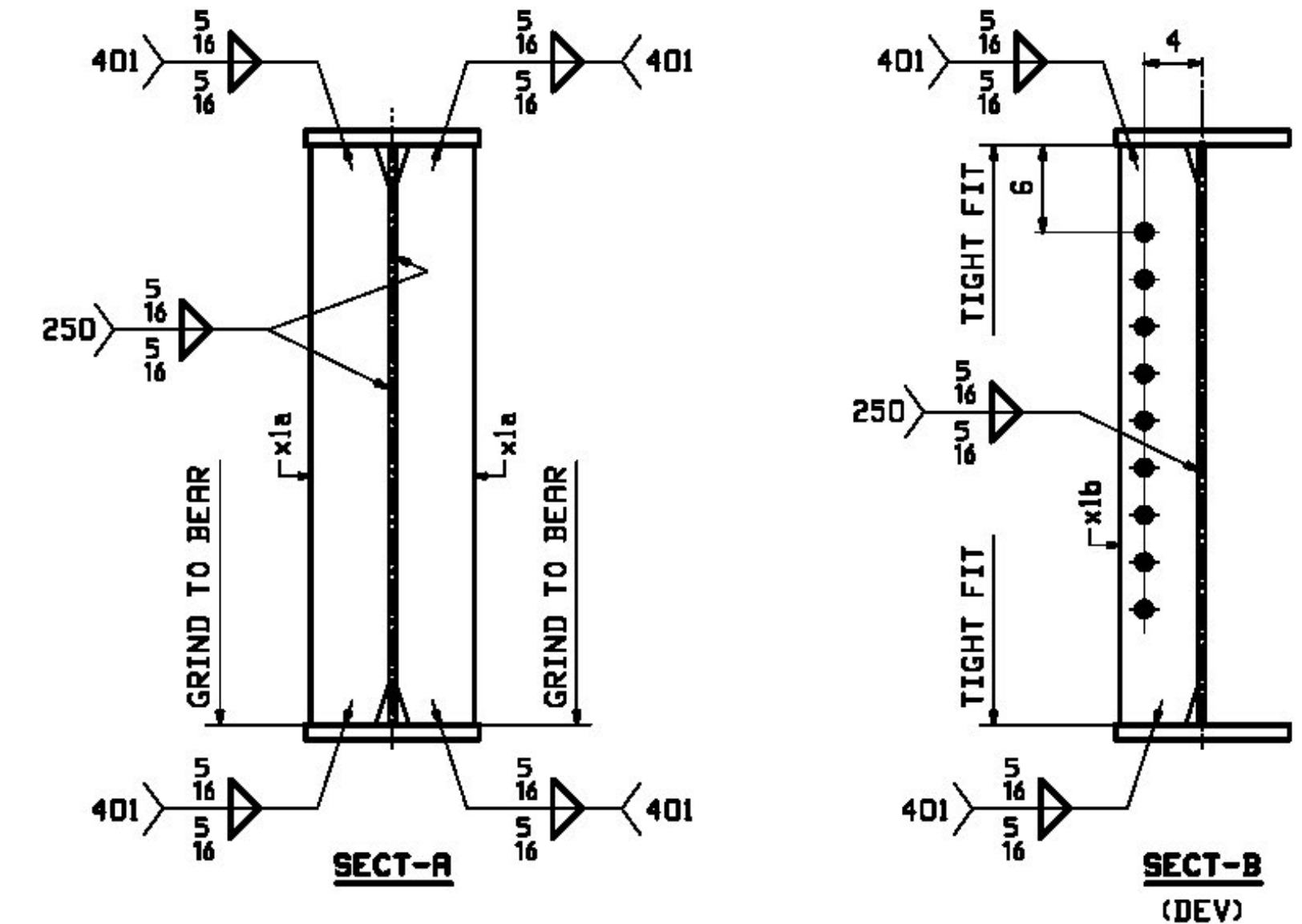
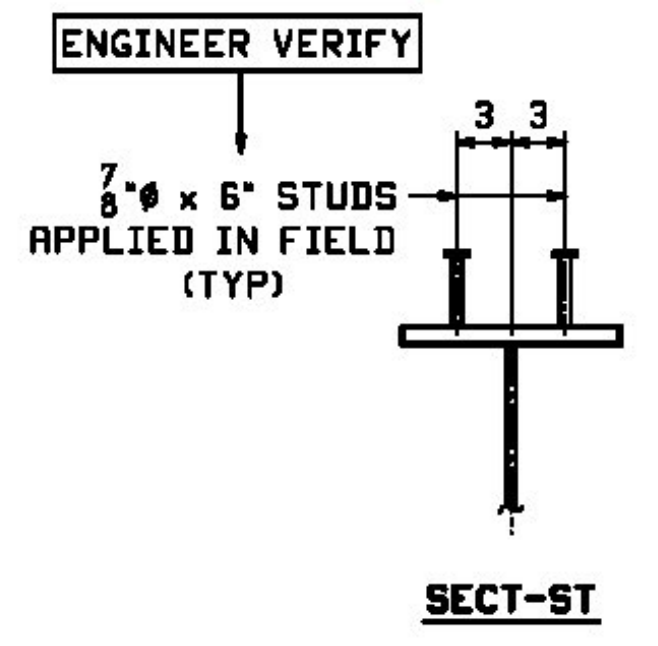


ONE ~ GIRDER ~ IG1

- NOTES:  
 1. FOR GENERAL NOTES SEE SHEET GNI.  
 2. FOR STANDARD DETAILS SEE SHEET XI.  
 3. FOR CAMBER & FLANGE DIAGRAM SEE SHEET C1.  
 4. T2 - DENOTES MATERIAL SUBJECT TO CHARPY V-NOTCH TESTING.



6" Stud Height Acceptable



Reviewed  
 Rejected  
 Furnish As Corrected  
 Revise and Resubmit

This review is only for general conformance with the design concept and the information given in the Construction Documents. Corrections or comments made on the shop drawings during the review do not relieve the Contractor from compliance with the requirements of the Plans and Specifications. Review of a specific item shall not include review of an assembly of which an item is a component. The Contractor is responsible for dimensions to be confirmed and corrected at the job site, information that pertains solely to the fabrication process or to the means, methods, techniques, sequences and procedures of construction, coordination of the Work with that of other trades and performing all Work in a safe and satisfactory manner.

Date: February 12, 2014  
 By: D. Kull

**McFarland Johnson**

Vermont Agency of Transportation  
**RECEIVED**  
 ON: January 29, 2014  
 and Checked for  
**CONFORMANCE**  
 BY: Rob Young DATE: 02/18/2014

REV.	DATE	REMARKS	DMN	CHK	APVL	SHOP
0						

MATERIAL: M270-SQW (UN) SURFACE PREP. & PAINT: SEE GNI HOLES: 15/16" UN SHOP BOLTS: NONE  
 DESCRIPTION: GIRDER ~ IG1  
**CASCO BAY STEEL STRUCTURES, INC.**  
 1 WALLACE AVE. PHONE (207) 780-6722  
 SOUTH PORTLAND, ME 04106 FAX. (207) 780-6726

STRUCTURE: VT ROUTE 100 (MINOR ARTERIAL) OVER MAD RIVER BRIDGE NO. 166 WARREN COUNTY OF WASHINGTON  
 LOCATION: TOWN OF WARREN  
 PROJ NO. BRP 013-4(32)  
 CUSTOMER: VT AOT

DRAWN: CRK DATE: 01/23  
 CHKD: DO DATE: 01/24  
 JOB NO. 548  
 DWG NO. 1  
 REV. 1