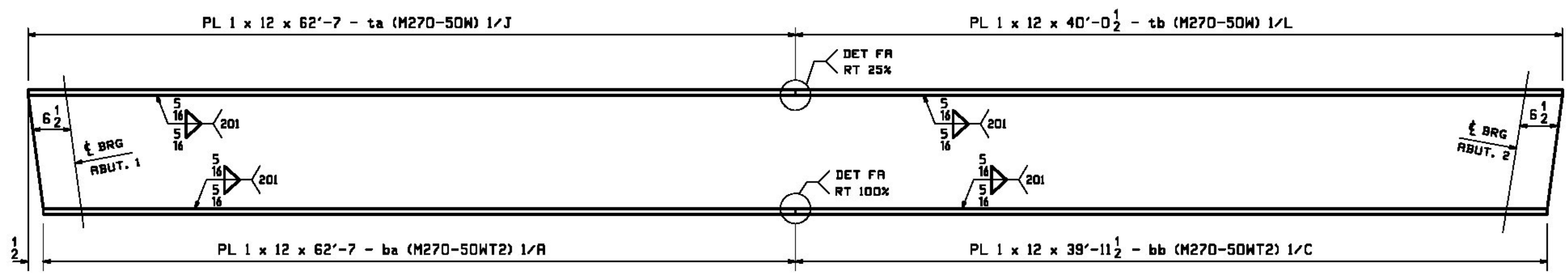
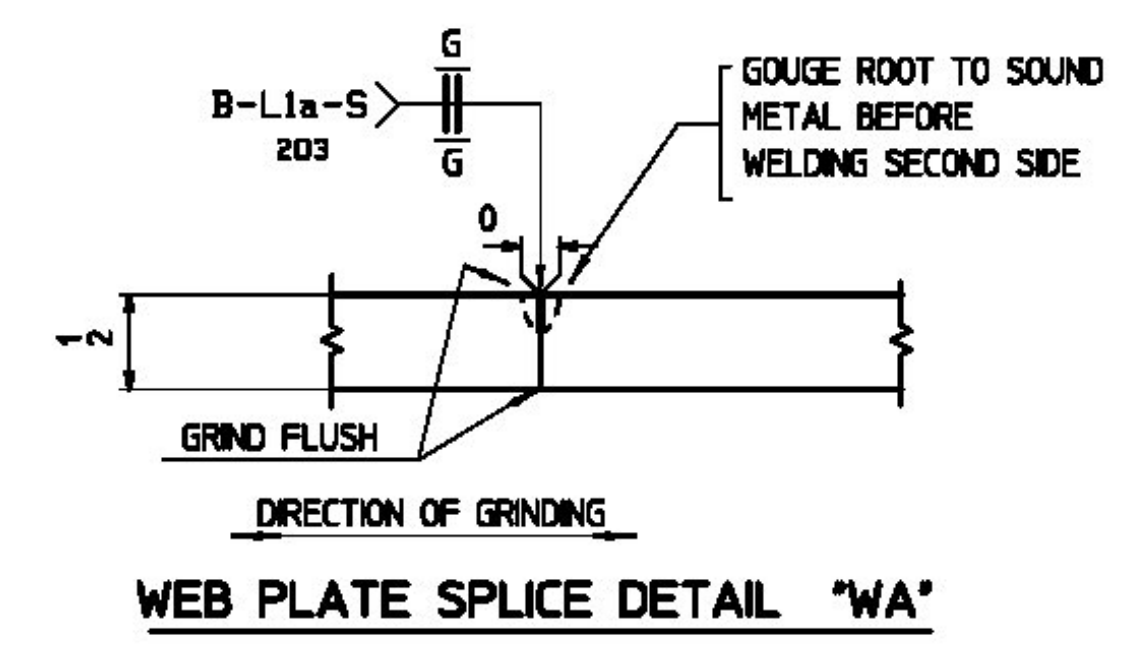
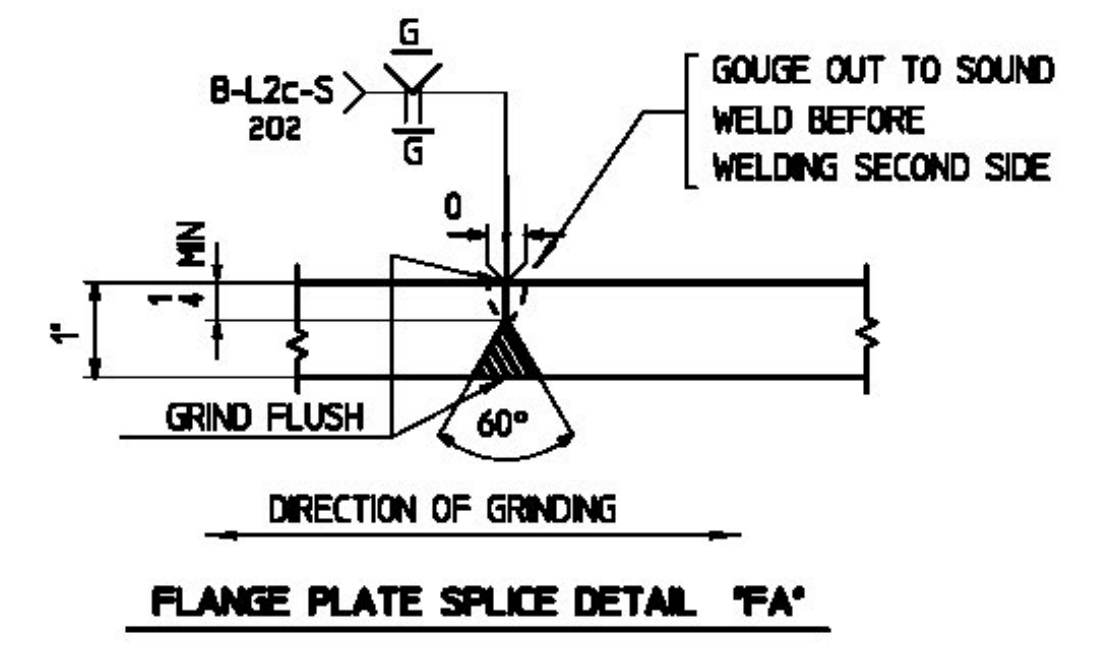


**CAMBER DIAGRAM FOR IGI, 2G2, 3G3,  
2G4, 4G5, 5G6, 4G7 & 6G8**



**FLANGE DIAGRAM FOR IGI, 2G2, 3G3,  
2G4, 4G5, 5G6, 4G7 & 6G8**



Vermont Agency of Transportation  
**RECEIVED**  
 ON: January 29, 2014  
 and Checked for  
**CONFORMANCE**  
 BY: Rob Young DATE: 02/18/2014

X	Reviewed	_____	Furnish As Corrected
_____	Rejected	_____	Revise and Resubmit

This review is only for general conformance with the design concept and the information given in the Construction Documents. Corrections or comments made on the shop drawings during the review do not relieve the Contractor from compliance with the requirements of the Plans and Specifications. Review of a specific item shall not include review of an assembly of which an item is a component. The Contractor is responsible for dimensions to be confirmed and corrected at the job site, information that pertains solely to the fabrication process or to the means, methods, techniques, sequences and procedures of construction, coordination of the Work with that of other trades and performing all Work in a safe and satisfactory manner.

Date: February 12, 2014  
 By: D. Kull

**McFarland Johnson**

- NOTES:**
- FOR GENERAL NOTES SEE DRAWING GN1.
  - T2 DENOTES MATERIAL SUBJECT TO CHAPPY V-NOTCH TEST AT H FREQUENCY FOR ZONE 2.

REV.	DATE	REMARKS	DMN	CHK	APVL	SHOP
0						
		MATERIAL: AS NOTED				SHOP BOLTS: AS NOTED
		SURFACE PREP. & PAINT: SEE GNI				
		HOLES: AS NOTED				
DESCRIPTION: CAMBER & FLANGE DIAGRAMS						
CASCO BAY STEEL STRUCTURES, INC. 1 WALLACE AVE. PHONE (207) 780-6722 SOUTH PORTLAND, ME 04106 FAX. (207) 780-6726						
STRUCTURE: VT ROUTE 100 (MINOR ARTERIAL) OVER MAD RIVER BRIDGE NO. 166 WARREN COUNTY OF WASHINGTON					DRAWN: CRK	DATE: 12/11
LOCATION: TOWN OF WARREN					CHKD: DO	DATE: 1/6
PROJ NO. BRF 013-4(32)					JOB NO. 548	DWG NO. C1
CUSTOMER: VT AOT					REV. 1	